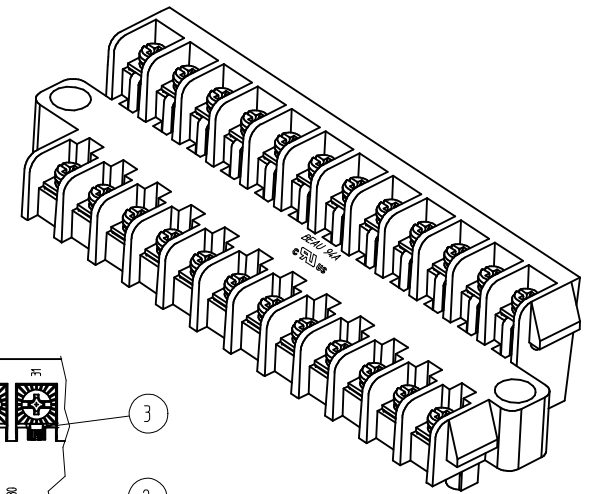
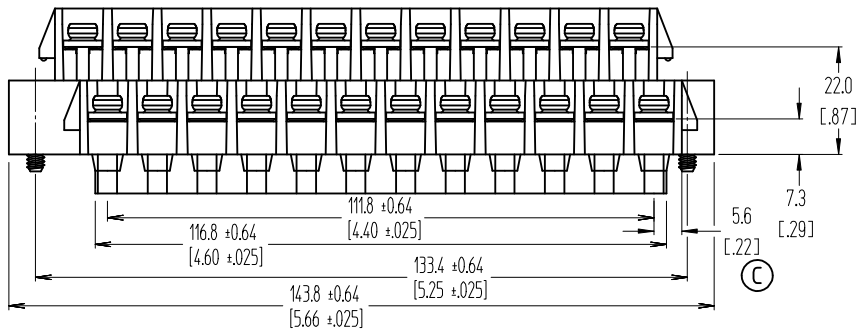
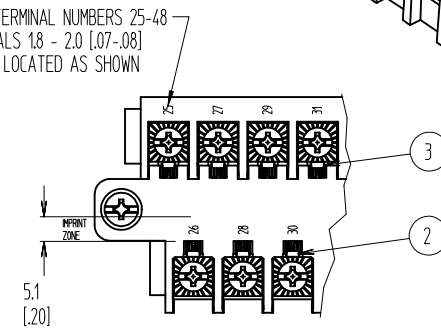
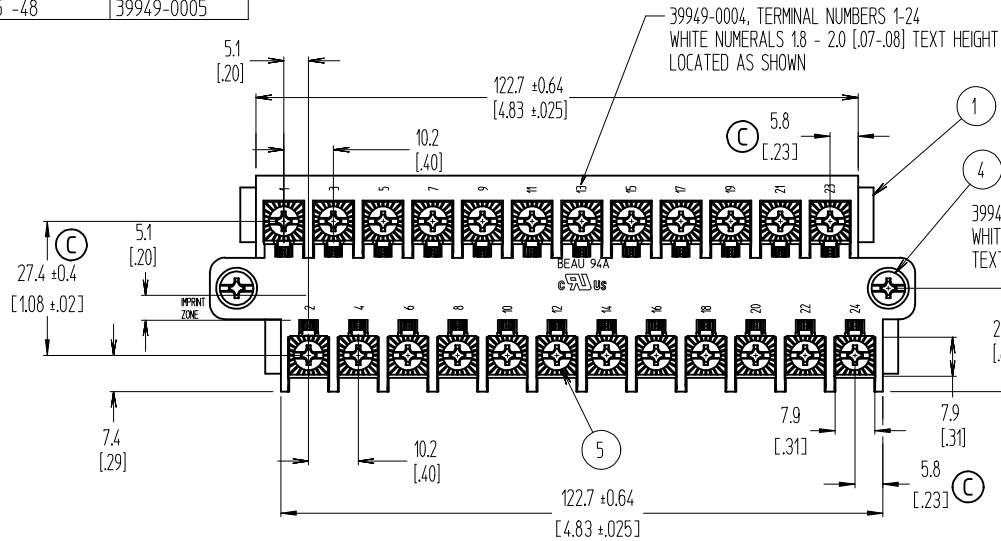


DESCRIPTION	MATERIAL NO.
NO IMPRINT	39949-0002
IMPRINT 1 - 24	39949-0004
IMPRINT 25 - 48	39949-0005



- NOTES:
1. MATERIAL: SEE TABLE
 2. FINISHES: SEE TABLE
 3. MATES WITH: SPCL 24/C HEADER.
 4. INCH DIMS ARE SHOWN IN BRACKETS [XXX].
 5. ASSEMBLY IS ROHS COMPLIANT.

5	24	SCREW, WIRING, 6-32 X .437	STEEL	ZN/CLEAR CHROMATE
4	2	SCREW, MOUNTING, 6-32 X .5	STEEL	ZN/CLEAR CHROMATE
3	12	LONG TERMINAL	PHOS. BRONZE	TIN PLATE
2	12	SHORT TERMINAL	PHOS. BRONZE	TIN PLATE
1	1	PLUG HOUSING	POLYESTER (PBT/PO)	BLACK
ITEM	QTY.	DESCRIPTION	MATERIAL	FINISH

MOVE DIM POSITION EC NO: WNA2010-0195 DRW: NCLYORK 2009/09/17 CHK: DTITUS 2009/09/17 APPR: DTITUS 2009/09/17	QUALITY SYMBOLS ▽=0 ▽=0
--	-------------------------------

GENERAL TOLERANCES (UNLESS SPECIFIED) mm INCH 4 PLACES ± --- ± --- 3 PLACES ± --- ± .005 2 PLACES ± 0.13 ± .01 1 PLACE ± 0.3 ± --- ANGULAR ± 2 °	DRAFT WHERE APPLICABLE MUST REMAIN WITHIN DIMENSIONS
--	---

DIMENSION STYLE MM/IN DRAWN BY DATE J. FARMER 2004/05/03 CHECKED BY DATE R. KEMP 2004/05/03 APPROVED BY DATE DTITUS 2009/09/17	TITLE PLUG, 7.9/31 SQ. EUROMATE 24 ASY.
---	--

SCALE 1:1 DESIGN UNITS INCH THIRD ANGLE PROJECTION	MATERIAL NO. SD-39949-004 DOCUMENT NO.	SHEET NO. 1 OF 1
--	--	---------------------