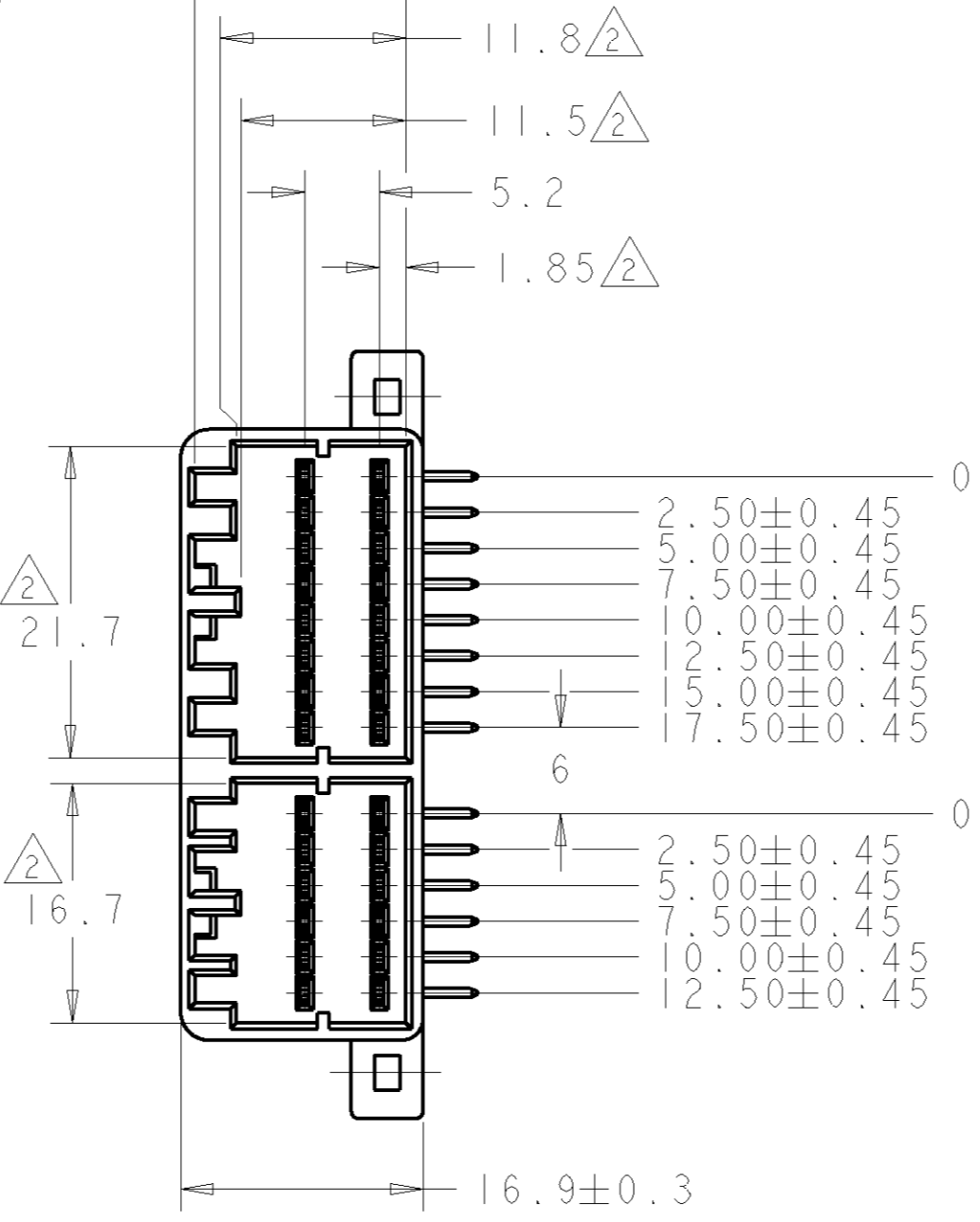
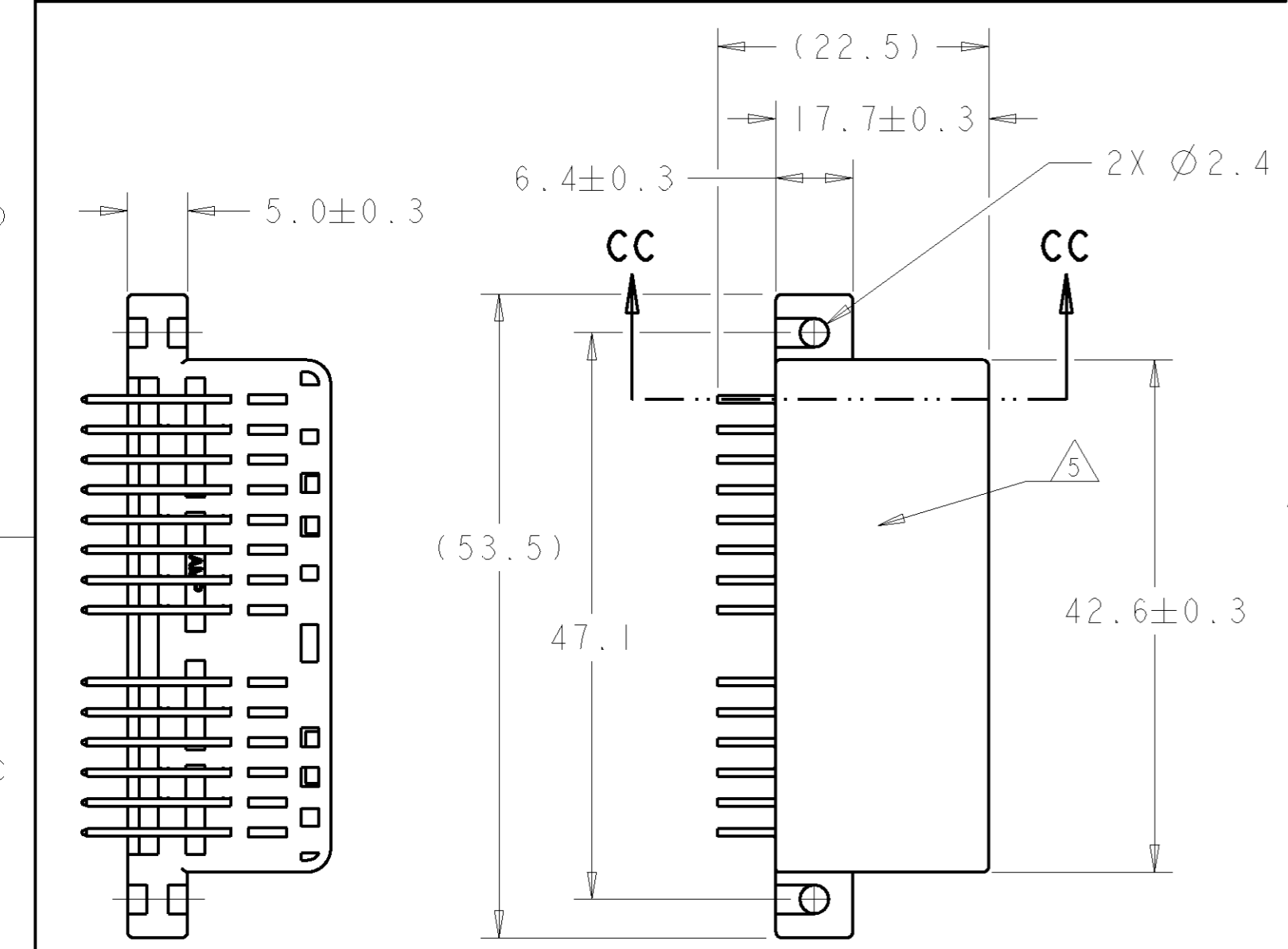
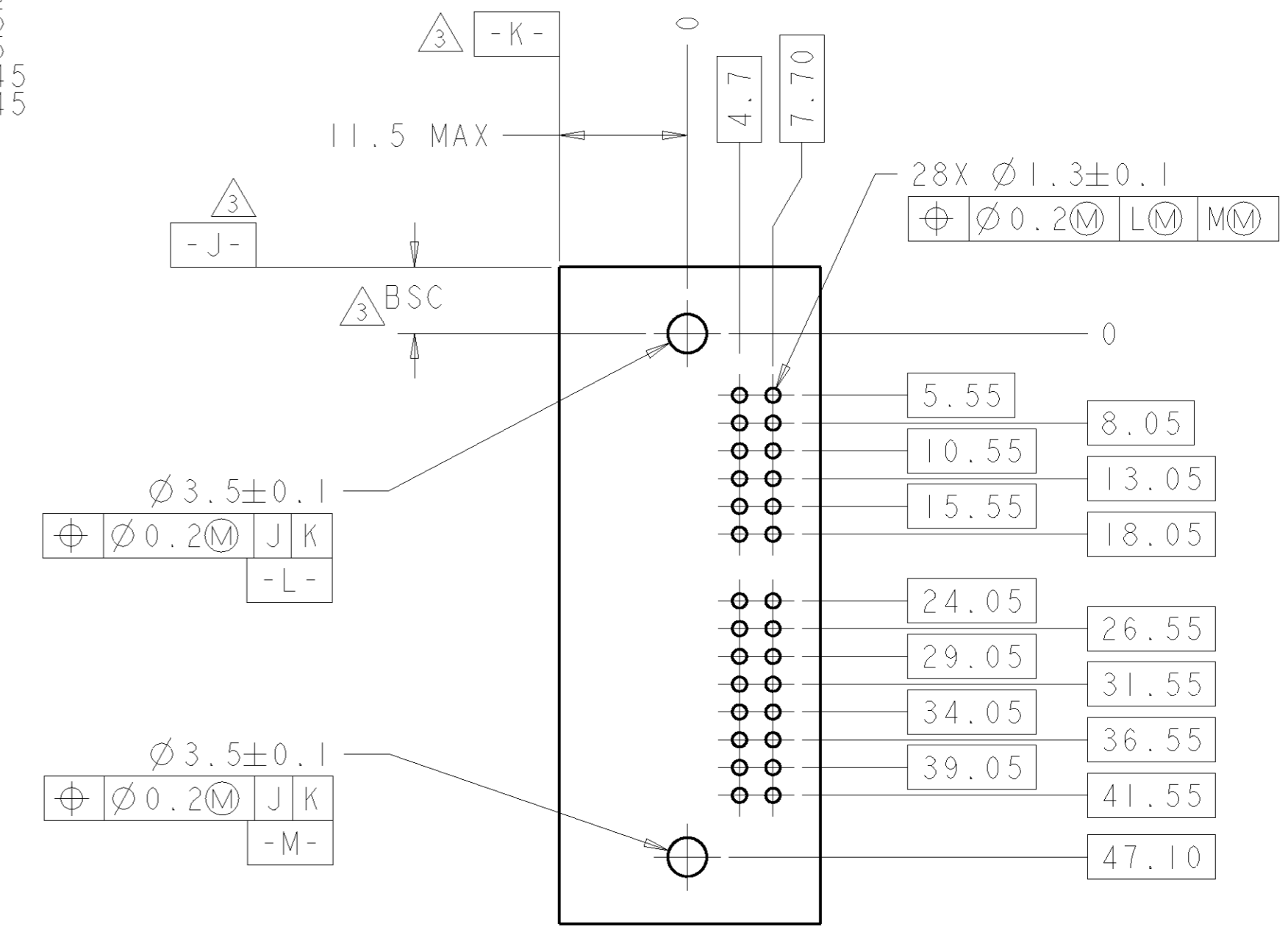
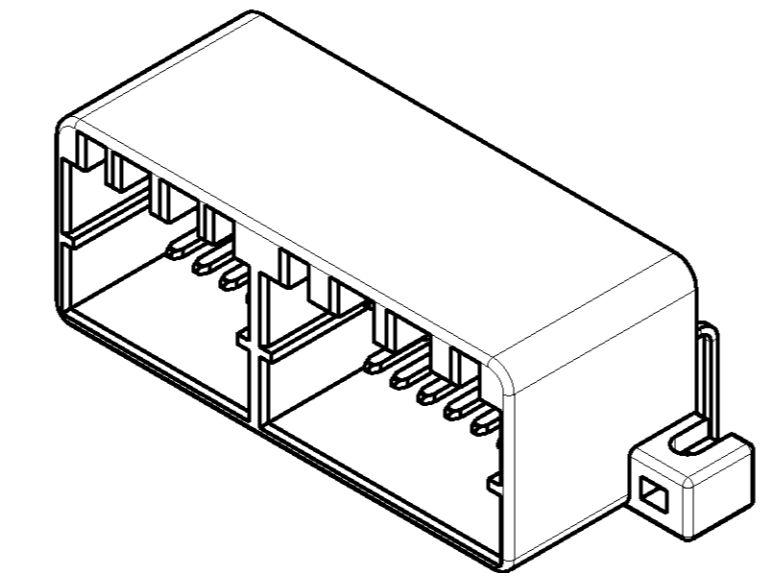
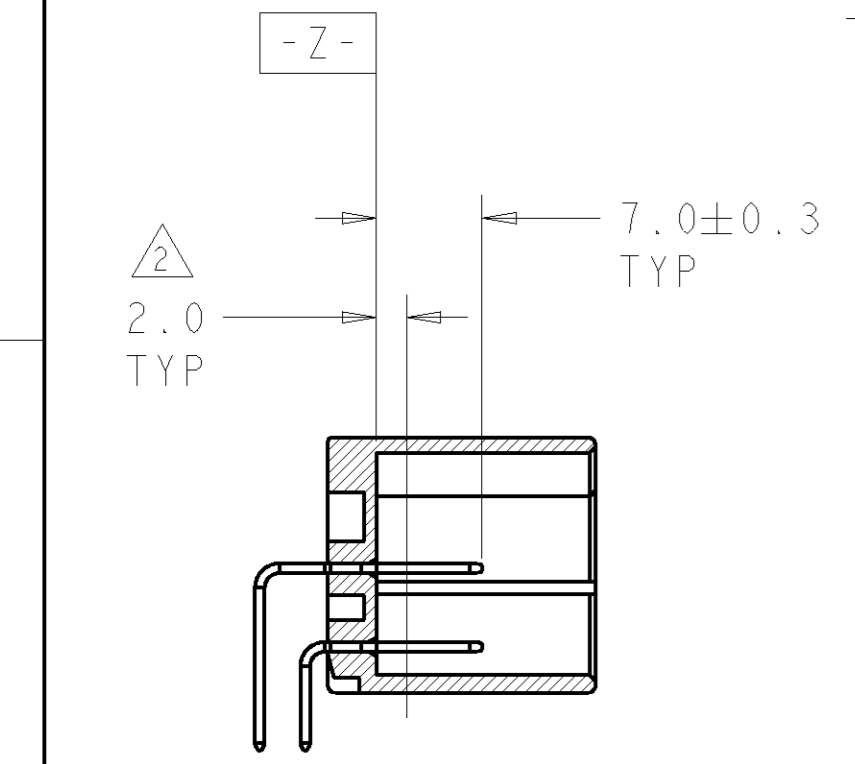
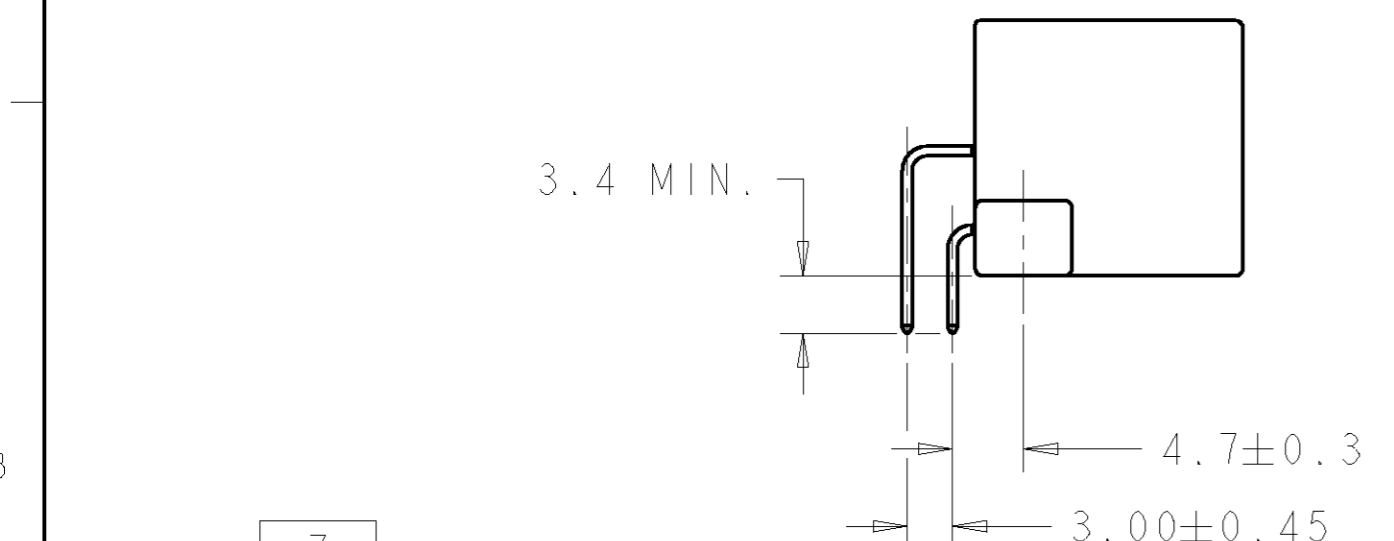


LOC	DIST	REVISIONS			
P	LTR	DESCRIPTION	DATE	DWN	APVD
	A	RLSD PER ECR D05-054	03JUN2005	RGV	SSA



- RECOMMENDED MOUNTING SCREW, 3mm DIA X 6mm LG PAN HEAD SCREW, CLASS 2 TAPPING SCREW AS SPECIFIED IN JIS B1115 AND B1122. TIGHTENING TORQUE: 4kg-mm MAX.
- DIMENSION MUST BE HELD BETWEEN [-Z-] AND 2.0mm FROM [-Z-].
- DATUMS AND BASIC DIMENSIONS ESTABLISHED BY CUSTOMER.
- MATING PLUGS: 175965, 175966
- DATE CODE.



PC BOARD LAYOUT
 RECOMMENDED THICKNESS: 1.6MM

TOLERANCES UNLESS OTHERWISE SPECIFIED:
 0 < X < 10 : ±0.2
 10 < X < 30 : ±0.25
 30 < X < 100 : ±0.3
 ANGLES: ±3°

THIS DRAWING IS A CONTROLLED DOCUMENT FOR TYCO ELECTRONICS CORPORATION. IT IS SUBJECT TO CHANGE AND THE CONTROLLING ENGINEERING ORGANIZATION SHOULD BE CONTACTED FOR THE LATEST REVISION.		DWN R. VESTAL 03JUN2005	Tyco Electronics Harrisburg, PA 17105-3608	
DIMENSIONS: mm		CHK S. ASHLEY 03JUN2005	NAME CAP ASSEMBLY, 28 POSITION, HORIZONTAL, 040 SERIES, MULTILOCK I/O CONNECTOR, MKII	
TOLERANCES UNLESS OTHERWISE SPECIFIED: 0 PLC ± 1 PLC ± 2 PLC ± 3 PLC ± 4 PLC ± ANGLES ± FINISH ±		APVD S. ASHLEY 03JUN2005	SIZE A2	
MATERIAL SEE TABLE		PRODUCT SPEC 108-5281	DRAWING NO 9-175976-2	
FINISH SEE TABLE		APPLICATION SPEC -	RESTRICTED TO -	
WEIGHT 9.14g		CUSTOMER DRAWING		
SCALE 2:1		SHEET 1 OF 1 REV A		