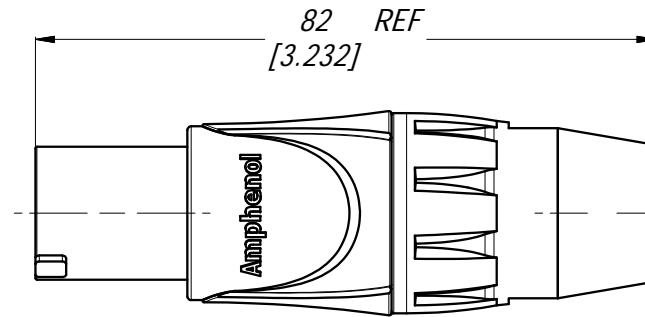


3D VIEW
1:1



UL CERTIFICATE 20140623-E339831

UNLESS OTHERWISE SPECIFIED TOLERANCE TO BE		THIS DOCUMENT IS THE PROPERTY OF AMPHENOL AUSTRALIA PTY. LTD. . NO PART THEREOF MAY BE REPRODUCED AND USED WITHOUT THE PRIOR WRITTEN CONSENT OF THE OWNER.				Amphenol Amphenol Australia Pty.Ltd, 22 Industry Blvd Carrum Downs, VIC 3201	
LINEAR	ANGULAR	MATERIAL:	DRN: T.N	DATE: 21/01/14	TITLE:	PART No:	REV
X ±	X' ±		CKD: P.M	DATE: 22/01/14	CONNECTOR PLUG	HP-3-FG	1
X.X ±	X.X' ±		APP'D: P.M	DATE: 22/01/14	POWER OUT 20A GREY	DRAWING No.	SHEET
X.XX ±	X.XX' ±	FINISH:	SCALE: 1:1	SIZE: A4	CUSTOMER DWG	55010926-000	2/2
BREAK ALL SHARP EDGES AND REMOVE ALL BURRS		DIMENSIONS IN MILLIMETRES		THIRD ANGLE PROJECTION		CB4.17.F1	
DO NOT SCALE							