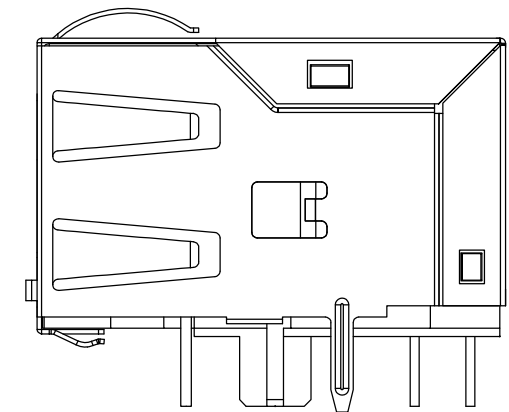
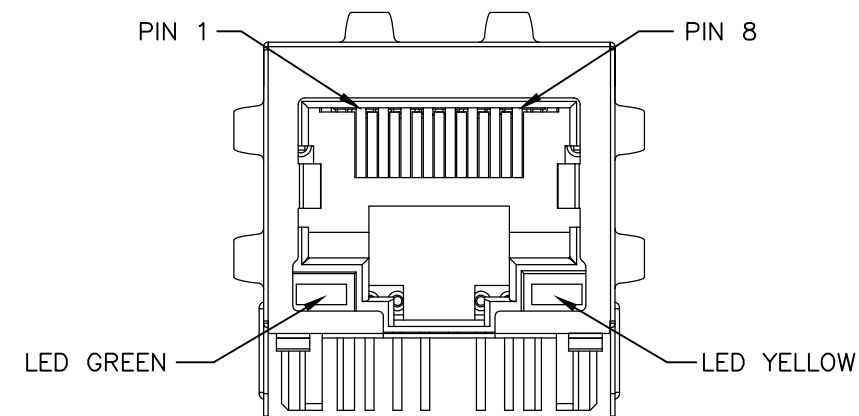
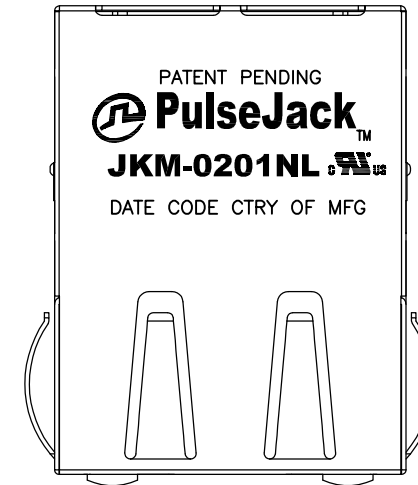


NOTES:

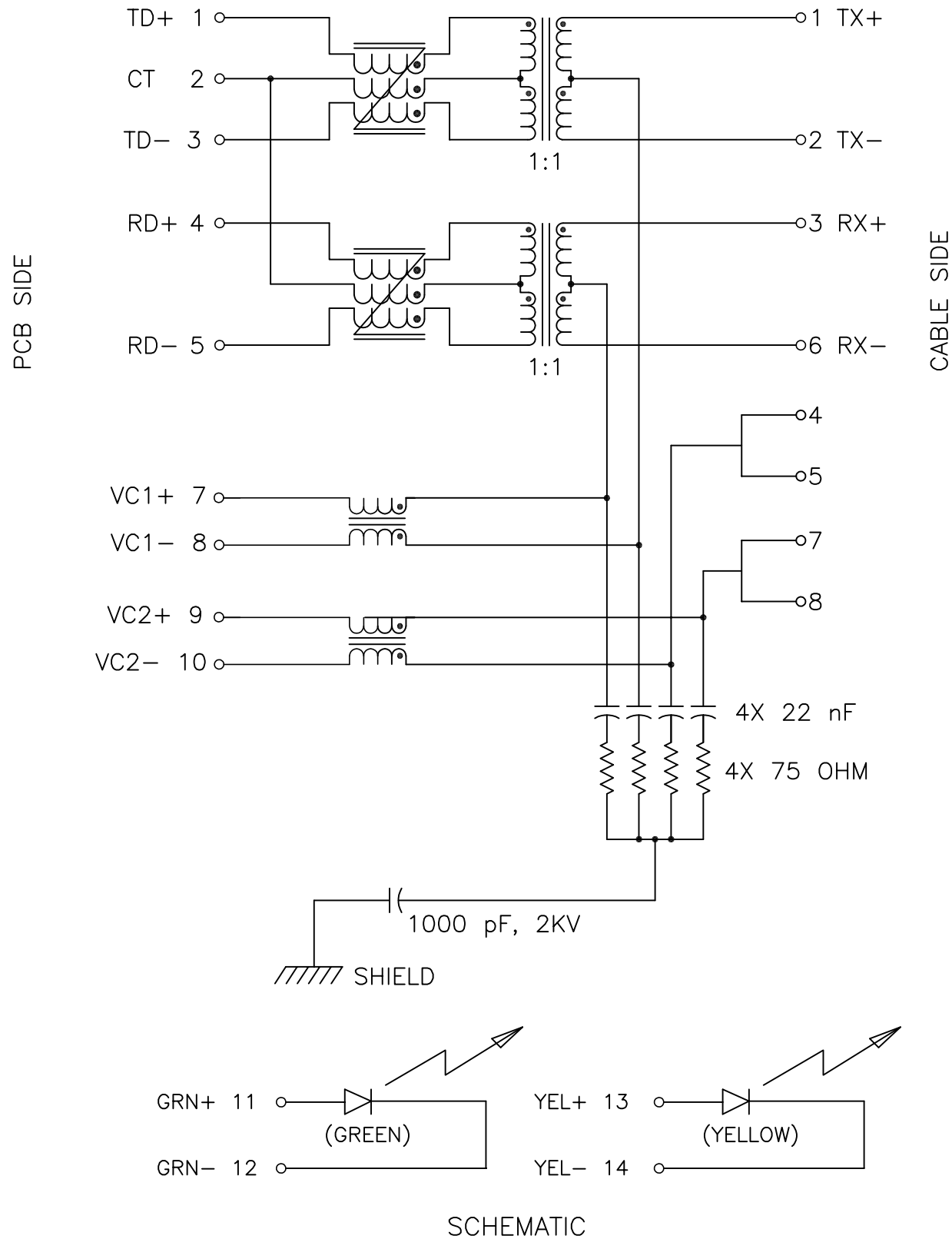
1. ROHS COMPLIANT
2. PLASTIC HOUSING: THERMOPLASTIC MATERIAL WITH FLAMMABILITY RATING UL 94V-0 OR BETTER.
3. CONTACTS PLATING: 15 MICROINCHES GOLD PLATING.
4. CONTACTS BASE MATERIAL: PHOSPHOR BRONZE
5. CONTACTS UNDERPLATE: 30-50 MICROINCHES DUCTILE NICKEL.
6. SOLDER TAIL PLATING : 150-300 MICROINCHES 100% TIN, MATTE FINISH.
7. METAL SHIELD: NICKEL PLATING ON COPPER ALLOY.
8. JACK CAVITY CONFORMS TO FCC RULES AND REGULATIONS PART 68 SUBPART F.
9. PCB PLATING: EG.
10. STORAGE TEMPERATURE: -20°C TO +125°C
11. COMPLIANCE TO J-STD:
  - A. J-STD-002: SOLDERABILITY AT 245°C DIP AND LOOK TEST
  - B. J-STD-020: LEVEL 1, NO MOISTURE SENSITIVE
  - C. J-STD-075: W2, 270°C MAXIMUM THROUGH WAVE SOLDER



FINAL OUTLINE

© Copyright, 2016. Pulse Electronics Corp. All rights reserved. Pulse confidential & proprietary. (11/29/16)

| PRODUCT DESCRIPTION        | TLA DRAWING   | PS DRAWING    | SHEET  | PART NO.   | DATASHEET REV. |
|----------------------------|---------------|---------------|--------|------------|----------------|
| CONN,RJ45,1X1,100PP,1:1,TY | JKM-0201NL-10 | PS-2582.009-A | 1 OF 5 | JKM-0201NL | B              |



ELECTRICAL CHARACTERISTICS AT +25°C UNLESS OTHERWISE SPECIFIED  
(FOR REFERENCE ONLY. USED FOR CUSTOMER INFORMATION.)

| PARAMETER                                      | SPECIFICATIONS   |   |            |
|--|--|---|------------|
| OPERATING TEMP                                 | 0°C TO +70°C   |   |            |
| TURNS RATIO                                    | 1.00 ± 2%  |   |            |
| POLARITY                                       | PER SCHEMATIC  |   |            |
| INSERTION LOSS                                 | 100 KHz  | 1-125 MHz                                     |            |
|  | -1.2 dB MAX  | -0.2-0.002*f <sup>1.4</sup> dB MAX            |            |
| RETURN LOSS<br>(Z OUT = 100 OHM±15%)           | .1-30 MHz  | 30-60 MHz                                     | 60-80 MHz  |
|  | -16 dB MIN   | -10+20*LOG <sub>10</sub><br>(f/60 MHz) dB MIN | -10 dB MIN |
|  | (MEASURED AT 100 KHz, 100 mVRMS)<br>(AND WITH 24 mA DC BIAS) |   |            |
| INDUCTANCE (OCL)<br>(MEDIA SIDE, 0°C TO +70°C) | 350 uH MIN   |   |            |
|  |  |   |            |
| CROSSTALK, ADJACENT<br>CHANNELS                | 1 MHz  | 10-100 MHz                                    |            |
|  | -50 dB MIN   | -55+22*LOG <sub>10</sub> (f/10) dB MIN        |            |
| COMMON MODE<br>REJECTION RATIO                 | 2 MHz  | 30-200 MHz                                    |            |
|  | -50 dB MIN   | -15+20*LOG <sub>10</sub> (f/200) dB MIN       |            |
| DC RESISTANCE<br>1/2 WINDING                   | .65 OHMS MAX   |   |            |
| DC RESISTANCE<br>IMBALANCE                     | ±.065 OHMS MAX (CENTER TAP SYMMETRY)                         |   |            |
| DC CURRENT/VOLTAGE<br>RATING - PSE PINS        | 750 mA @ 57V (CONTINUOUS)                                    |   |            |
| INPUT - OUTPUT<br>ISOLATION                    | 2250 VDC MIN @ 60 SECONDS                                    |   |            |

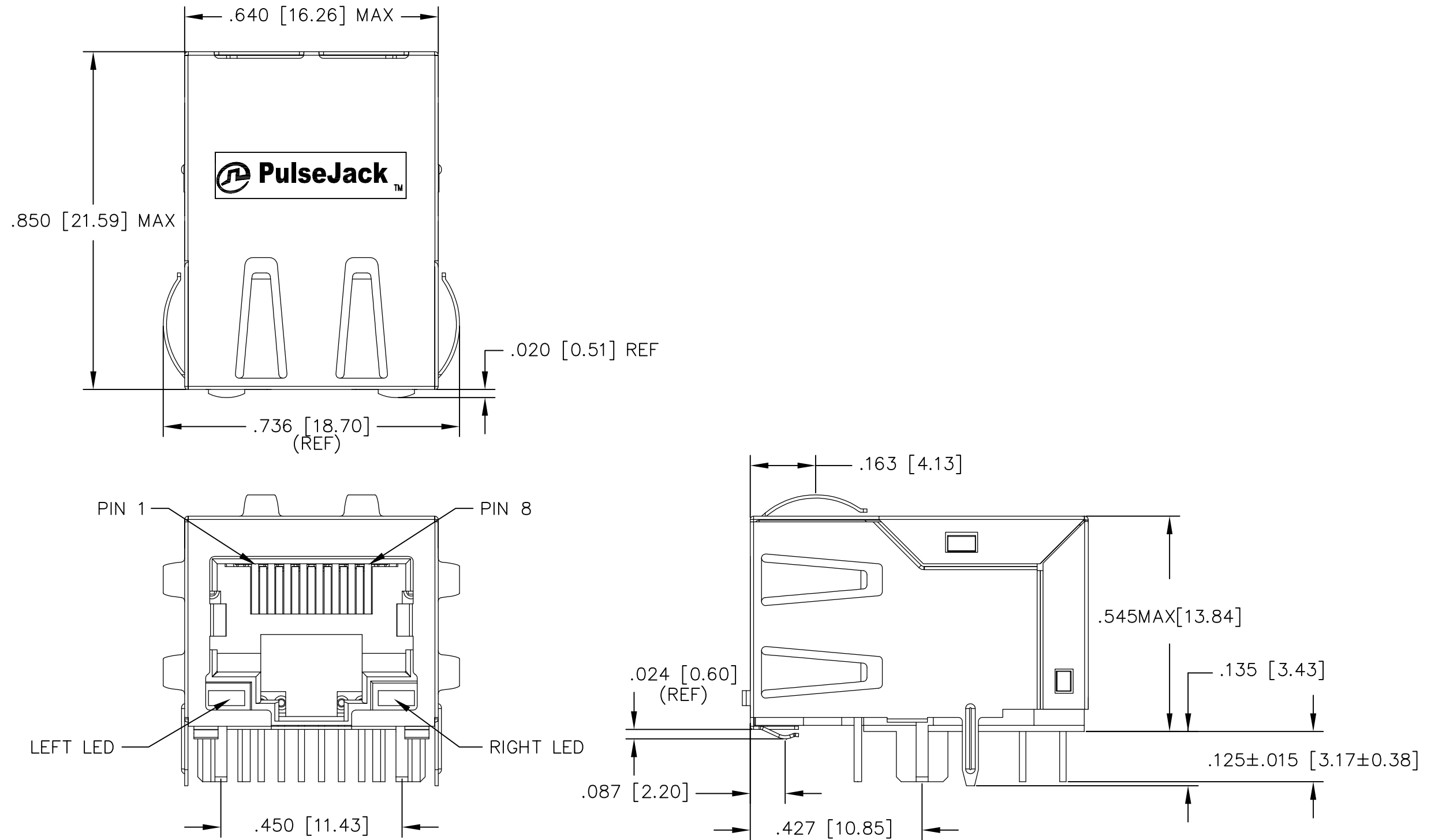
NOTE: f IS FREQUENCY IN MHz.

| EMMITTED COLOR         | GREEN            | YELLOW                 |
|------------------------|------------------|------------------------|
| WAVELENGTH (nm)        | 570 nM           | 586 nM                 |
| BRIGHNESS (mCD)        | 6 TYP.<br>@ 20mA | 8 TO 12 TYP.<br>@ 20mA |
| VIEWING ANGLE          | 120°             | 120°                   |
| POWER DISSIPATION (Pd) | 85 mW MAX        | 85 mW MAX              |
| DC FORWARD CURRENT     | 120 mA MAX       | 80 mA MAX              |
| REVERSE VOLTAGE (Vr)   | 5.0 V MAX        | 5.0 V MAX              |
| FORWARD VOLTAGE (Vf)   | 2.8 V MAX        | 2.8 V MAX              |

NOTE: PER VENDOR'S SPECIFICATIONS

© Copyright, 2016. Pulse Electronics Corp. All rights reserved. Pulse confidential & proprietary. (11/29/16)

| PRODUCT DESCRIPTION        | TLA DRAWING   | PS DRAWING    | SHEET  | PART NO.   | DATASHEET REV. |
|----------------------------|---------------|---------------|--------|------------|----------------|
| CONN,RJ45,1X1,100PP,1:1,TY | JKM-0201NL-10 | PS-2582.009-A | 2 OF 5 | JKM-0201NL | B              |

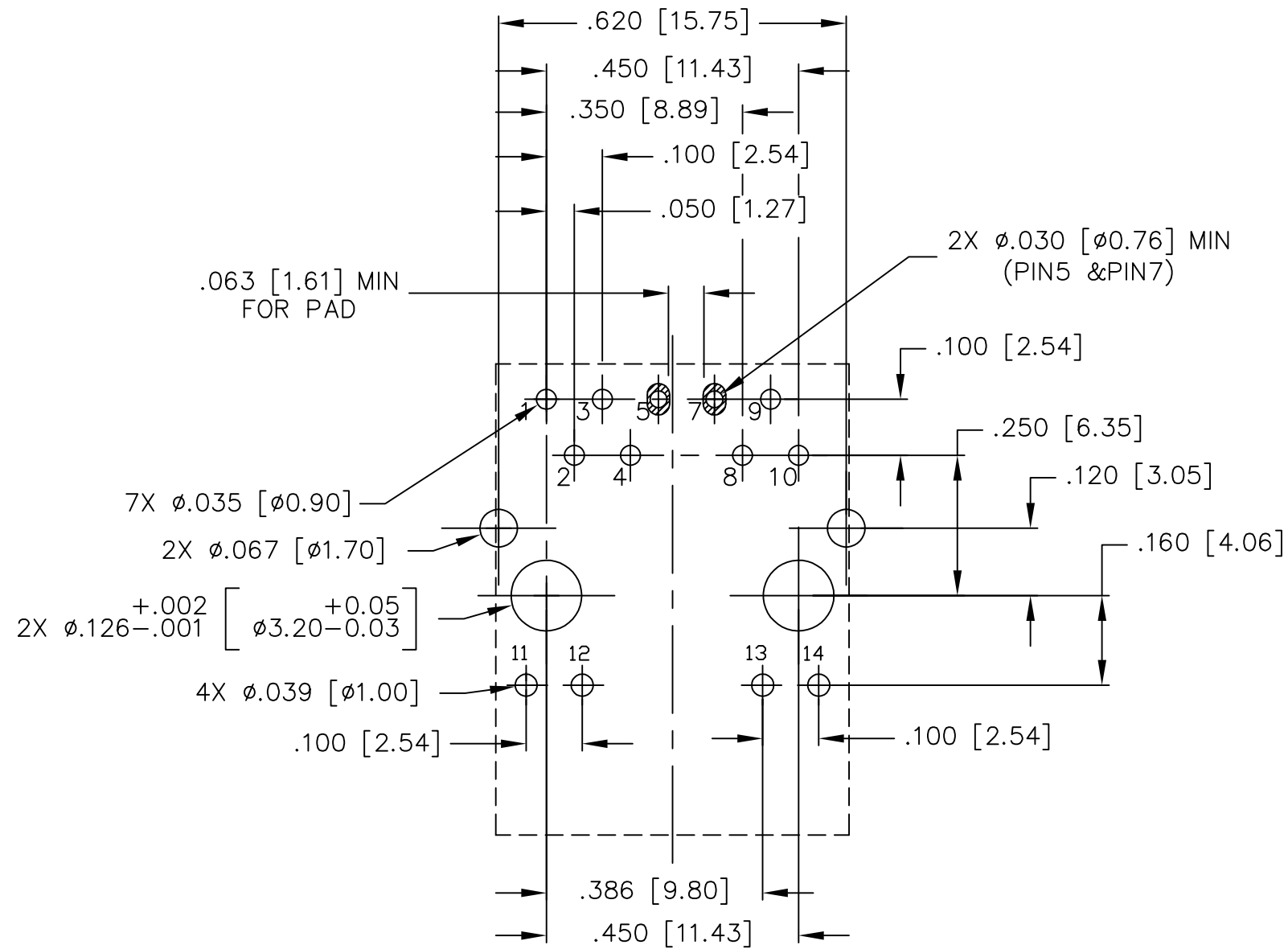


DIMENSIONS ARE IN INCHES [MILLIMETERS] WITH THE FOLLOWING TOLERANCES: [MILLIMETERS] ARE FOR REFERENCE ONLY.

.XX ±.010 [X.XX ±0.25]  
.XXX ±.005 [X.XX ±0.13]

© Copyright, 2016. Pulse Electronics Corp. All rights reserved. Pulse confidential & proprietary. (11/29/16)

| PRODUCT DESCRIPTION        | TLA DRAWING   | PS DRAWING    | SHEET  | PART NO.   | DATASHEET REV. |
|----------------------------|---------------|---------------|--------|------------|----------------|
| CONN,RJ45,1X1,100PP,1:1,TY | JKM-0201NL-10 | PS-2582.009-A | 3 OF 5 | JKM-0201NL | B              |



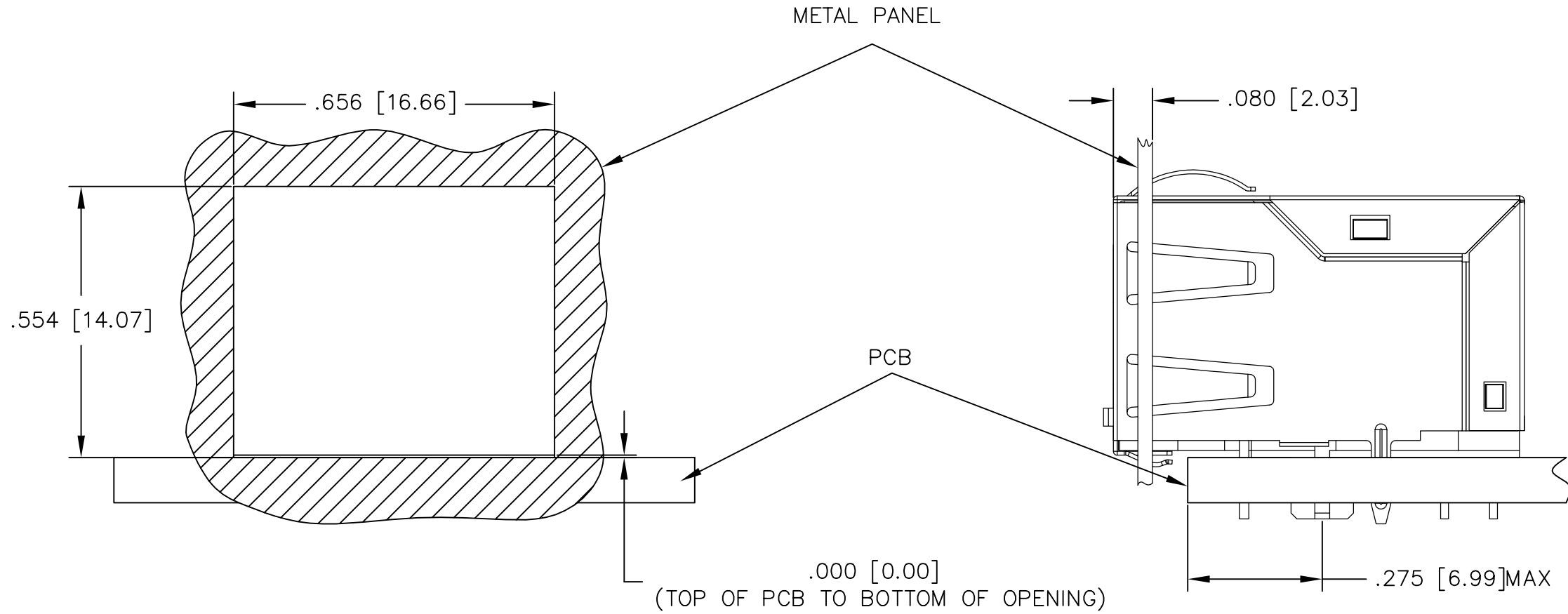
SUGGESTED FOOTPRINT (COMPONENT SIDE SHOWN)  
DIMENSIONAL TOLERANCE: (UNLESS OTHERWISE SPECIFIED)

DIMENSIONS ARE IN INCHES [MILLIMETERS] WITH THE FOLLOWING  
TOLERANCES: [MILLIMETERS] ARE FOR REFERENCE ONLY.

.XX ±.010 [X.XX ±0.25]  
.XXX ±.005 [X.XX ±0.13]

© Copyright, 2016. Pulse Electronics Corp. All rights reserved. Pulse confidential & proprietary. (11/29/16)

| PRODUCT DESCRIPTION        | TLA DRAWING   | PS DRAWING    | SHEET  | PART NO.   | DATASHEET REV. |
|----------------------------|---------------|---------------|--------|------------|----------------|
| CONN,RJ45,1X1,100PP,1:1,TY | JKM-0201NL-10 | PS-2582.009-A | 4 OF 5 | JKM-0201NL | B              |



SUGGESTED PANEL CUTOUT

DIMENSIONS ARE IN INCHES [MILLIMETERS] WITH THE FOLLOWING TOLERANCES: [MILLIMETERS] ARE FOR REFERENCE ONLY.

.XX ±.010 [X.XX ±0.25]  
.XXX ±.005 [X.XX ±0.13]

© Copyright, 2016. Pulse Electronics Corp. All rights reserved. Pulse confidential & proprietary. (11/29/16)

| PRODUCT DESCRIPTION        | TLA DRAWING   | PS DRAWING    | SHEET  | PART NO.   | DATASHEET REV. |
|----------------------------|---------------|---------------|--------|------------|----------------|
| CONN,RJ45,1X1,100PP,1:1,TY | JKM-0201NL-10 | PS-2582.009-A | 5 OF 5 | JKM-0201NL | B              |