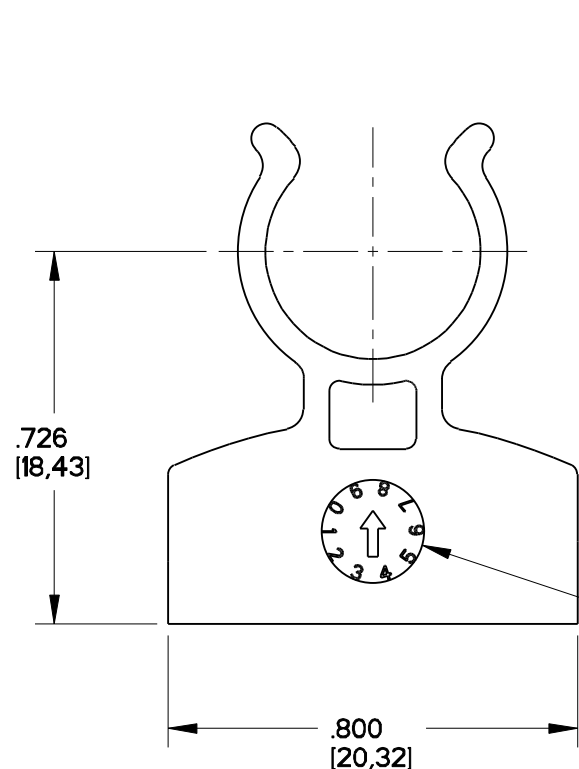
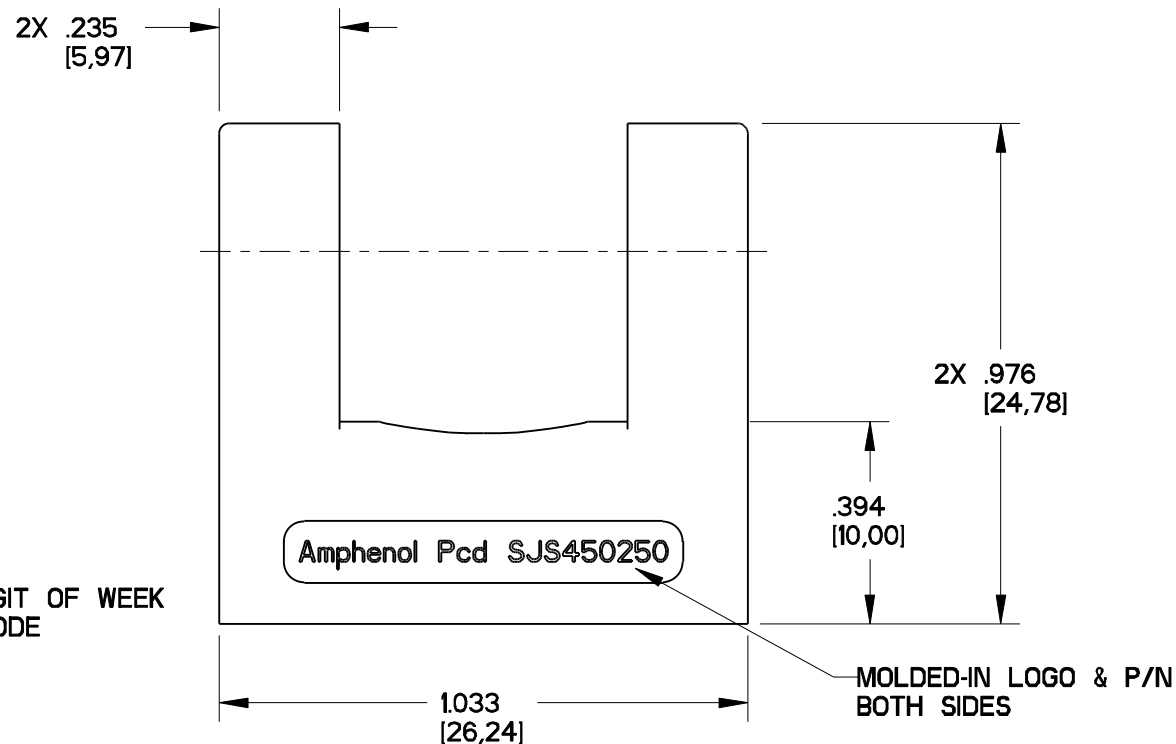


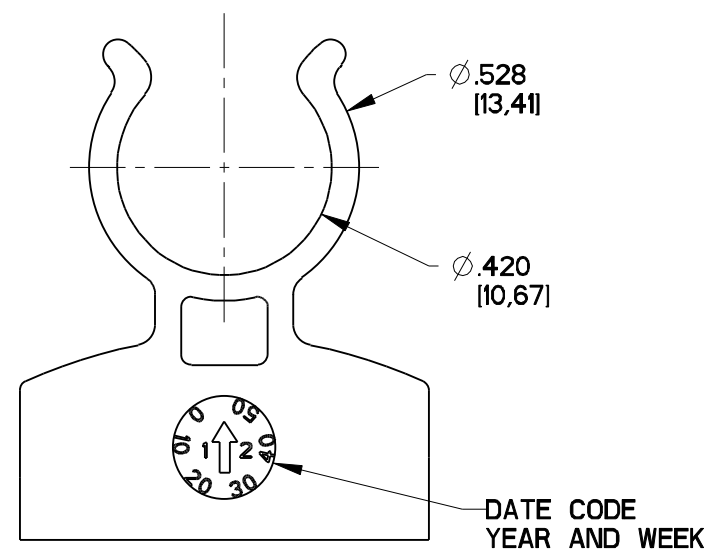
REV	ECN	APP'D
2		



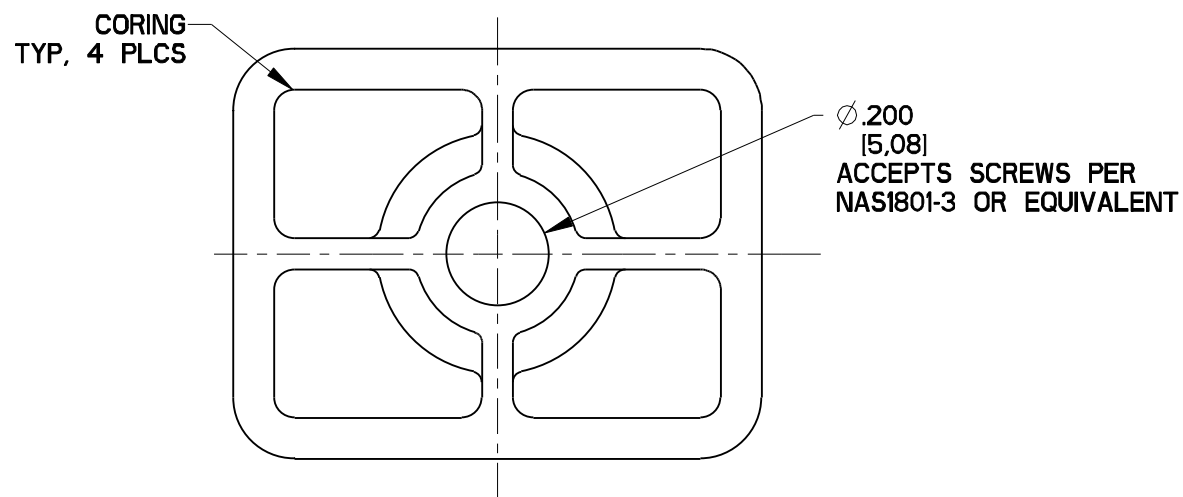
SECOND DIGIT OF WEEK IN DATE CODE



MOLDED-IN LOGO & P/N BOTH SIDES



DATE CODE YEAR AND WEEK



SCALE 2:1

NOTES:

1. MATERIAL: TORAY CM3004 V0 COLOR: BLACK.
2. WEIGHT: 3.9 GRAMS (EST.)
3. ACCEPTS & RETAINS LUMINUS SHELL SIZE 7 INLINE MATED PAIRS.

DIMENSIONS ANSI Y14.5M UNITS: INCHES [MM] Pro/E FILE	TOLERANCES .XX ± 0.01 [± 3] .XXX ± 0.005 [± 13] ANGLES $\pm 2.0^\circ$	PROJECTION 	Amphenol Pcd SPECIFICATION DRAWING			TITLE MOUNTING CRADLE SCREW MOUNT SHELL SIZE 7		
			ENGR WESLEY YU 18-Sep-12		SIZE B	DWG NO. SJS450250_CE	REV 2	
ORIGINAL	THIS DOCUMENT CONTAINS PROPRIETARY INFORMATION WHICH IS THE CONFIDENTIAL PROPERTY OF AMPHENOL PCD INC., BEVERLY, MA		CHKD	APPD	CODE: 58982	SCALE: 8:3	SHEET 1 OF 1	

SJS450250_CE

SJS450250_CE