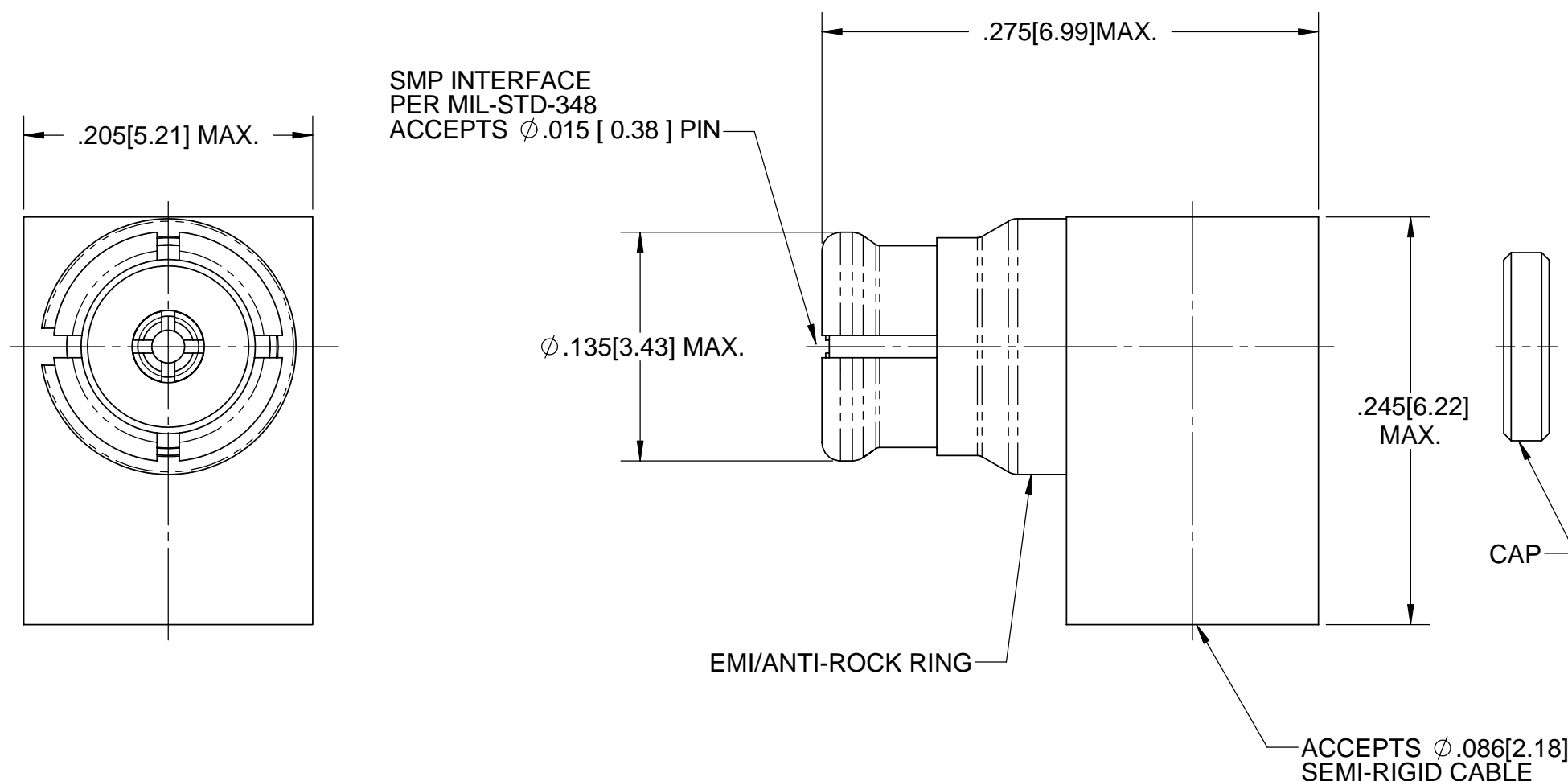


PRODUCT DATA DRAWING

REVISION HISTORY			
REV	DESCRIPTION	DATE	APPROVED
A	REV. DCN 32243	11/29/04	STW
B	REV. DCN 35434	10/05/07	STW



MATERIALS:
 BODY, CONTACT,
 EMI-RING, CAP &
 ANTI-ROCK RING: BERYLLIUM COPPER PER ASTM B196
 INSULATOR: PTFE PER ASTM D1710

FINISHES:
 BODY, CONTACT,
 EMI-RING, CAP &
 ANTI-ROCK RING: GOLD PER ASTM B488, TYPE II
 GRADE C, CLASS 1.27, OVER NICKEL
 PER AMS-QQ-N-290, CLASS 1

ELECTRICAL:
 IMPEDANCE: 50 OHMS
 FREQ. RANGE: DC TO 26.5 GHZ
 D.W.V.: 500 VOLTS DC
 INSULATION RES.: 5,000 MEGOHMS MINIMUM

REF. DSCC 94008ZCG-3

DIMENSIONS ARE IN INCHES WITH METRIC EQUIVALENTS IN BRACKETS [].

MATERIAL: SEE NOTES	DIMENSIONS ARE IN INCHES TOLERANCES: FRACTIONAL: ±1/64 ANGULAR: X° ±1'0" X"X' ±15'	UNLESS OTHERWISE SPECIFIED 1) ALL DIMENSIONS ARE AFTER PLATING. 2) BREAK CORNERS & EDGES .005 R. MAX. 3) CHAM. 1ST & LAST THREADS. 4) SURFACE ROUGHNESS 63 √ MIL-STD-10. 5) DIA.'S ON COMMON CENTERS TO BE CONCENTRIC WITHIN .005 T.I.R. 6) REMOVE ALL BURRS	SV Microwave, Inc. 2400 Centrepark West Drive, Suite 100 West Palm Beach, FL 33409 TITLE: SMP R/A CABLE JACK FOR Ø.086 S.R. CABLE
FINISH: SEE NOTES	DECIMAL: .X ±.030 .XX ±.010 .XXX ±.005	INTERPRET DIMENSIONS AND TOLERANCES PER ASME Y14.5M - 1994	
SURFACE AREA: N/A	THIRD ANGLE PROJECTION	DRAWN: JMC 04/16/04	SIZE CAGE CODE DWG. NO. B 95077 1214-4001
PROPRIETARY THE INFORMATION CONTAINED IN THIS DRAWING IS THE SOLE PROPERTY OF SV MICROWAVE, INC. ANY REPRODUCTION IN PART OR AS A WHOLE WITHOUT THE WRITTEN PERMISSION OF SV MICROWAVE, INC IS PROHIBITED.		CHECKED: STW 05/21/04	SCALE: 12:1
		APPROVED: STW 05/21/04	SHEET 1 OF 1
		E.M. SIMULATION: N/A	