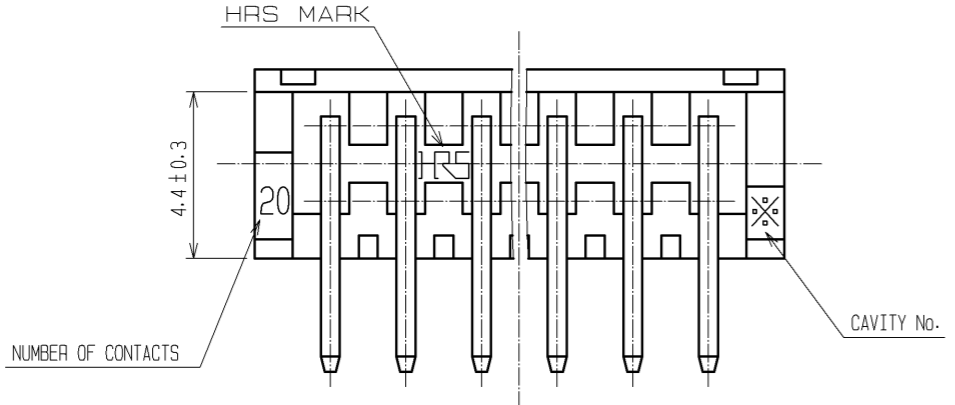
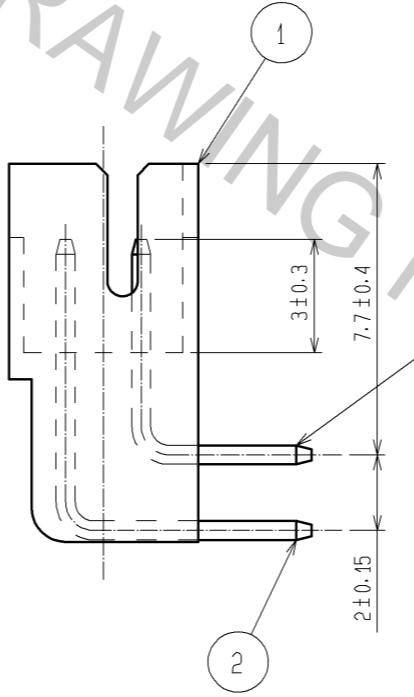
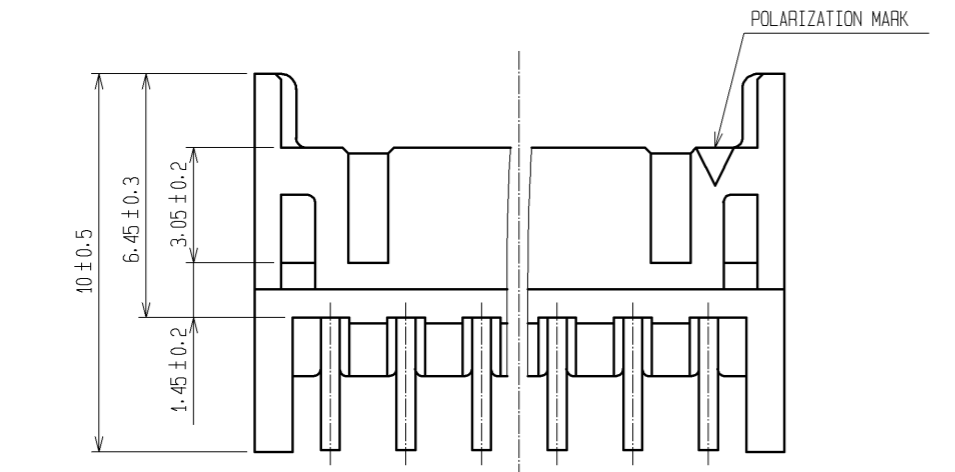
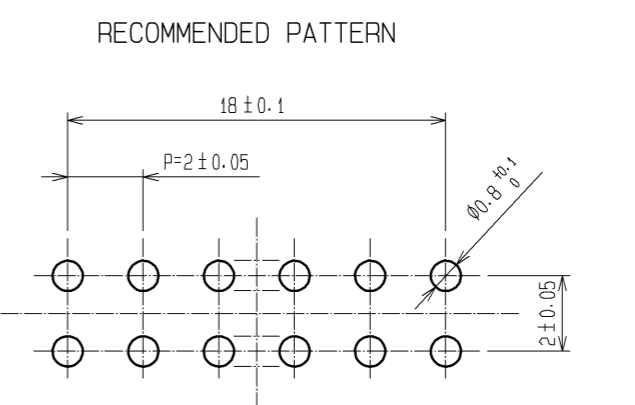
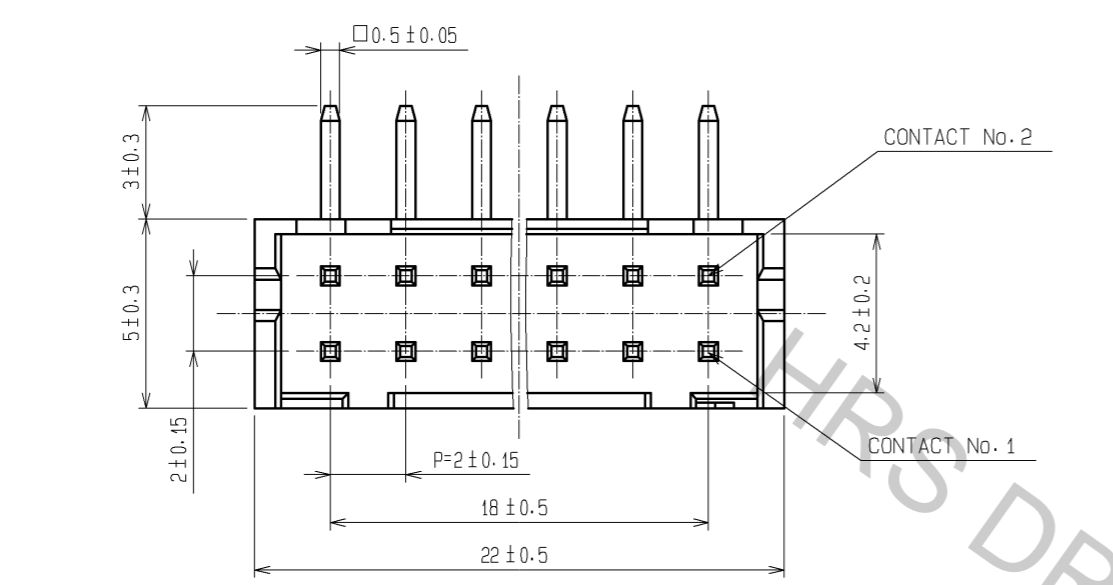


Apr.1.2017 Copyright 2017 HIROSE ELECTRIC CO., LTD. All Rights Reserved.



NO.	MATERIAL	FINISH . REMARKS	NO.	MATERIAL	FINISH . REMARKS
2	BRASS	SURFACE:GOLD PLATED 0.76#m min UNDER PLATING:NICKEL PLATED 1#m min	5	ELASTOMER	STOPPER
1	POLYAMIDE	BLACK UL94V-0	4	PS	ELECTROSTATIC PROTECTION(CLEAR)
			3	BRASS	SURFACE:GOLD PLATED 0.76#m min UNDER PLATING:NICKEL PLATED 1#m min

UNITS	SCALE	COUNT	DESCRIPTION OF REVISIONS	DESIGNED	CHECKED	DATE
mm	5 : 1	△				

APPROVED : KI. AKIYAMA	12.09.07	DRAWING NO.	EDC3-020841-04
CHECKED : HK. UMEHARA	12.09.07	PART NO.	DF11-20DP-2DS(56)
DESIGNED : TS. KUMAZAWA	12.09.07	CODE NO.	CL543-0541-0-56
DRAWN : MI. SAKIMURA	12.09.07		

1 2 3 4 5 6 7 8

A A

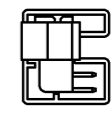
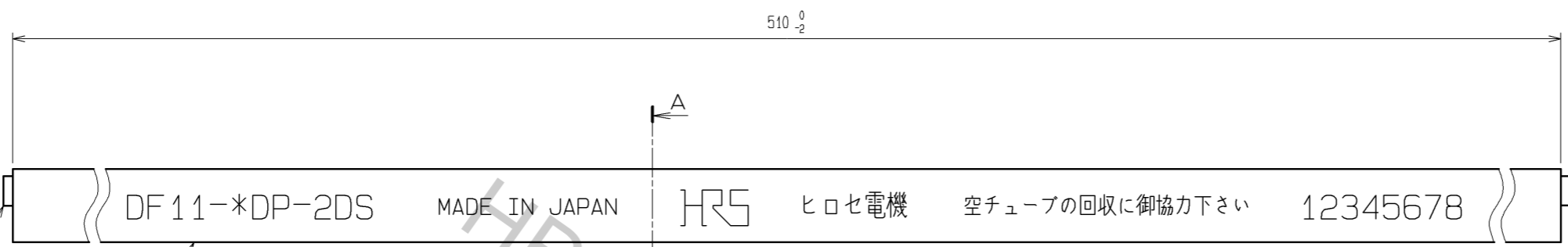
B B

C C

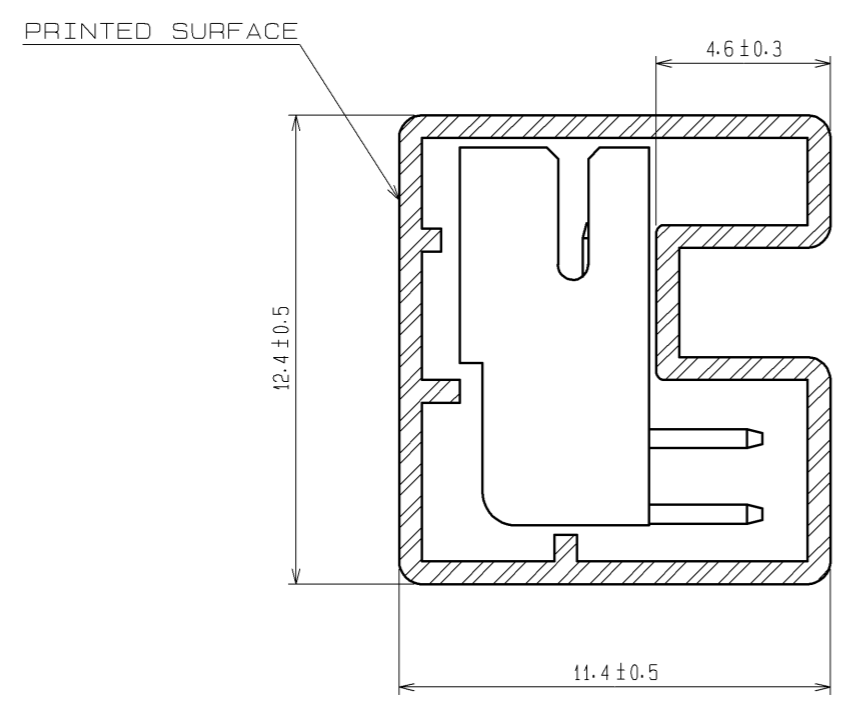
D D

E E

F F



A-A (5:1)



NOTE 1. MINIMUM OF PURCHASE SHALL BE THE QUANTITY OF CONNECTORS IN TUBE. (22 PIECES)

<b>HRS</b>	DRAWING NO.	EDC3-020841-04
	PART NO.	DF11-20DP-2DS(56)
	CODE NO.	CL543-0541-0-56
		$\triangle$ 2/2