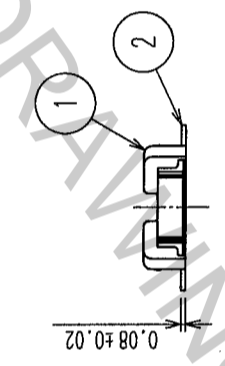
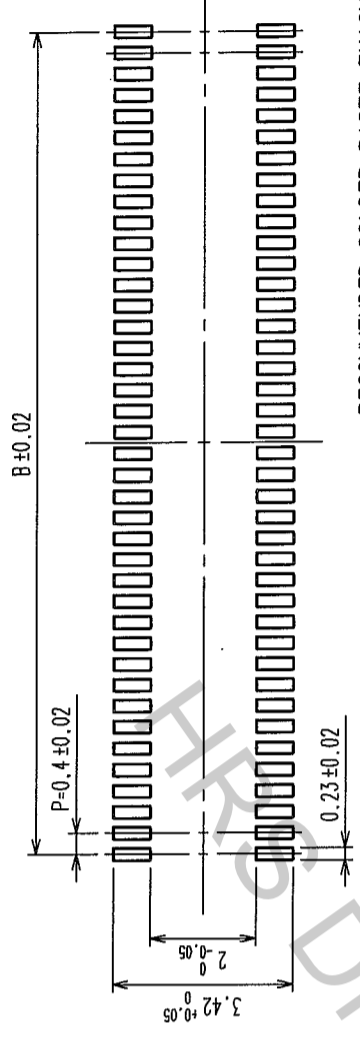
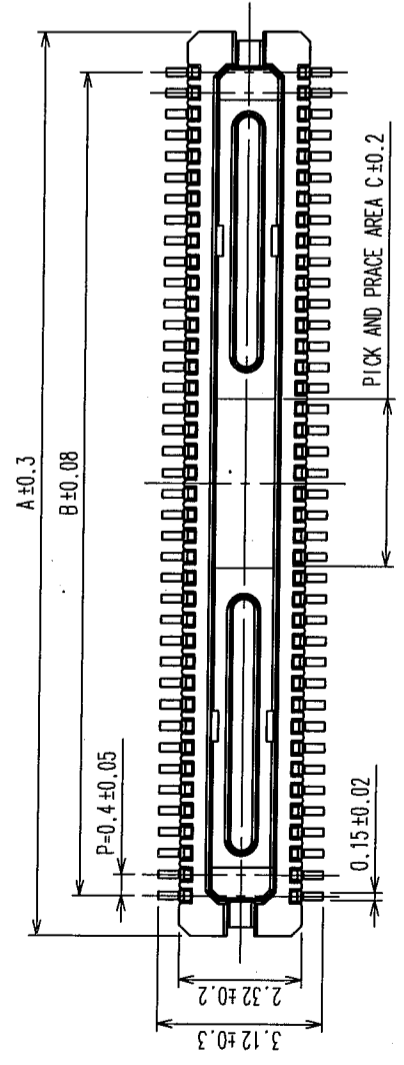


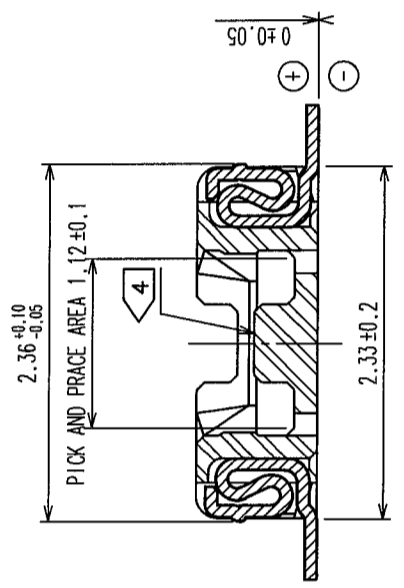
| COUNT | DESCRIPTION OF REVISIONS | BY | CHKD | DATE | COUNT | DESCRIPTION OF REVISIONS | BY | CHKD | DATE |
|-------|--------------------------|----|------|------|-------|--------------------------|----|------|------|
| △ | | | | | △ | | | | |
| △ | | | | | △ | | | | |
| △ | | | | | △ | | | | |



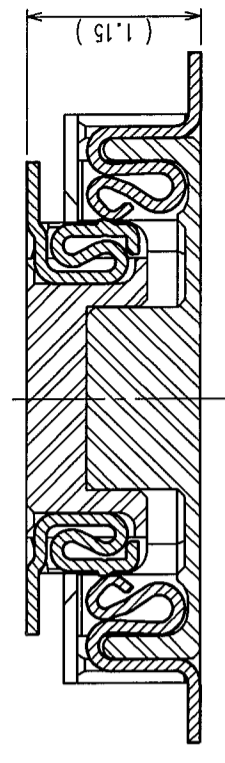
RECOMMENDED SOLDER PASTE: THICKNESS 120 μm

RECOMMENDED METAL MASK OPENING DIMENSIONS FOR LEAD PAD (20:1)

A-A(20:1)



ENGAGEMENT FIGURE(20:1)



- NOTE 1. ALL LEADS CO-PLANARITY SHALL BE 0.1 MAX.
 2. PER REEL : 1000 CONNECTORS.
 3. AT THE BEGINNING OF THE REEL, 100 mm AT MIN SHALL BE EMPTY POCKETS.
 AT THE END OF THE REEL, 160 mm AT MIN SHALL BE EMPTY POCKETS.
 4 NO CAVITY ON THE CONNECTORS LESS THAN 24 POS.
 5 CONTACT PLATING SPECIFICATIONS.

CONTACT AREA : GOLD 0.05 μm MIN.
 SMT LEAD : GOLD 0.02 μm MIN.
 UNDERPLATING : NICKEL 1 μm MIN.
 (SURFACE : SEALING)

| PART NO. | CODE NO. | A | B | C |
|----------------------|-----------------|-------|------|------|
| DF30CJ-800P-0.4V(82) | CL684-1156-8-82 | 17.14 | 15.6 | 3.2 |
| DF30CJ-700P-0.4V(82) | CL684-1155-5-82 | 15.14 | 13.6 | 2.8 |
| DF30CJ-600P-0.4V(82) | CL684-1154-2-82 | 13.14 | 11.6 | 2.4 |
| DF30CJ-500P-0.4V(82) | CL684-1153-0-82 | 11.14 | 9.6 | 2 |
| DF30CJ-400P-0.4V(82) | CL684-1152-7-82 | 9.14 | 7.6 | 1.6 |
| DF30CJ-340P-0.4V(82) | CL684-1151-4-82 | 7.94 | 6.4 | 1.36 |
| DF30CJ-300P-0.4V(82) | CL684-1150-1-82 | 7.14 | 5.6 | 1.2 |
| DF30CJ-240P-0.4V(82) | CL684-1149-2-82 | 5.94 | 4.4 | 1.2 |
| DF30CJ-220P-0.4V(82) | CL684-1148-0-82 | 5.54 | 4.0 | 1.2 |
| DF30CJ-200P-0.4V(82) | CL684-1147-7-82 | 5.14 | 3.6 | 1.2 |

| NO. | MATERIAL | FINISH, REMARKS | NO. | MATERIAL | FINISH, REMARKS |
|-----|-----------------|-----------------|-----|-----------|-------------------------------|
| 2 | PHOSPHOR BRONZE | 5 | PS | POLYESTER | BLACK(PLASTIC REEL) |
| 1 | LCP | UL94V-0, BLACK | 4 | POLYESTER | CLEAR(COVER TAPE) |
| | | | 3 | PS | CREAR (EMBOSSED CARRIER TAPE) |

| DRAWN | DESIGNED | CHECKED | APPROVED | RELEASED |
|------------|--------------|-------------|-----------|-----------|
| F. Matsuki | A. Kobayashi | T. Miyayaki | J. Oka | |
| '05.03.08 | '05.03.09 | '05.03.09 | '05.03.09 | '05.03.09 |

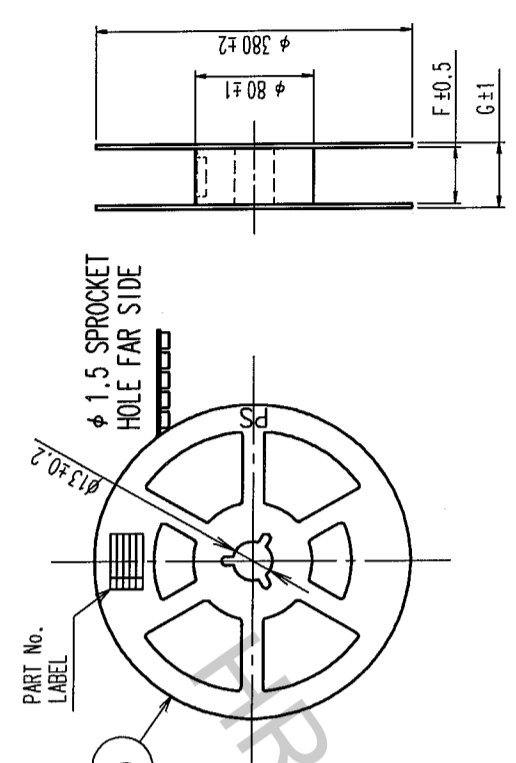
| DRAWING NO. | PART NO. |
|----------------|---------------------|
| EDC3-304055-01 | DF30CJ-*DP-0.4V(82) |

| SCALE | UNITS |
|-------|-------|
| FREE | mm |

| CODE NO. |
|----------------|
| CL684-*****-82 |

| COUNT | DESCRIPTION OF REVISIONS | BY | CHKD | DATE | COUNT | DESCRIPTION OF REVISIONS | BY | CHKD | DATE |
|-------|--------------------------|----|------|------|-------|--------------------------|----|------|------|
| | | | | | | | | | |
| | | | | | | | | | |
| | | | | | | | | | |

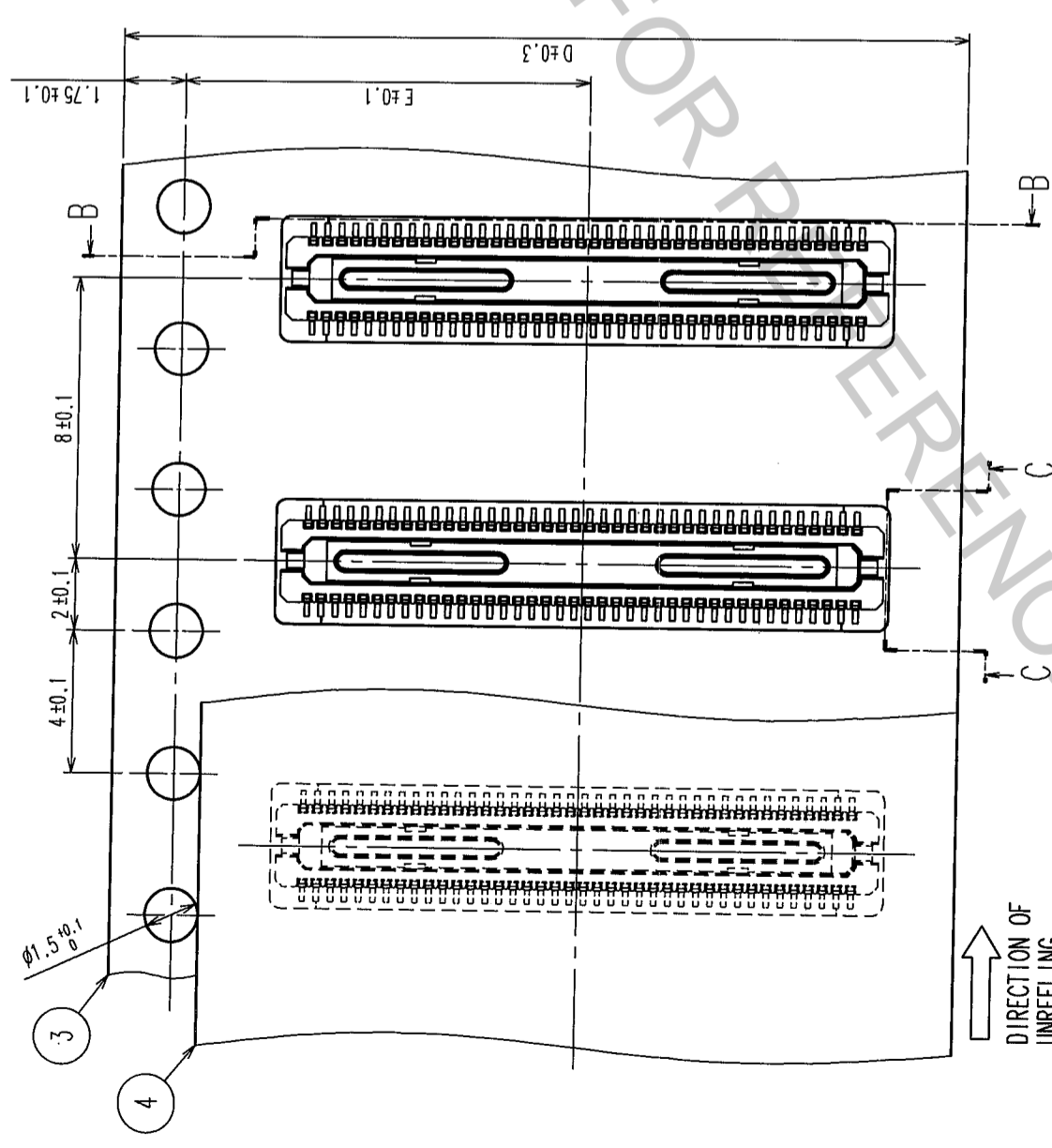
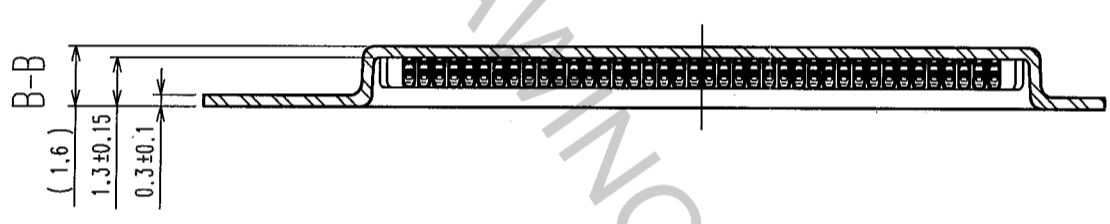
STYLE AND DIMENSION OF REEL (FREE SIZE)



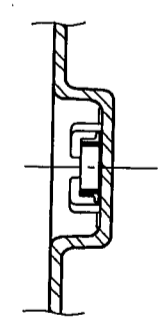
DETAIL OF PART NO. LABEL

| | |
|---------------------|-----------------------|
| SUPPLIER | 年 月 日 |
| QUANTITY | CL684-*****-82 |
| PART NO. | DF30CJ-***DP-0.4V(82) |
| CODE NO. | 1000個 |
| DATE OF MANUFACTURE | ヒロセ電機(株) |

| PART No. | CODE No. | D | E | F | G |
|----------------------|-----------------|----|------|------|------|
| DF30CJ-80DP-0.4V(82) | CL684-1156-8-82 | 24 | 11.5 | 25.5 | 29.5 |
| DF30CJ-70DP-0.4V(82) | CL684-1155-5-82 | 24 | 11.5 | 25.5 | 29.5 |
| DF30CJ-60DP-0.4V(82) | CL684-1154-2-82 | 24 | 11.5 | 25.5 | 29.5 |
| DF30CJ-50DP-0.4V(82) | CL684-1153-0-82 | 24 | 11.5 | 25.5 | 29.5 |
| DF30CJ-40DP-0.4V(82) | CL684-1152-7-82 | 16 | 7.5 | 17.5 | 21.5 |
| DF30CJ-34DP-0.4V(82) | CL684-1151-4-82 | 16 | 7.5 | 17.5 | 21.5 |
| DF30CJ-30DP-0.4V(82) | CL684-1150-1-82 | 16 | 7.5 | 17.5 | 21.5 |
| DF30CJ-24DP-0.4V(82) | CL684-1149-2-82 | 16 | 7.5 | 17.5 | 21.5 |
| DF30CJ-22DP-0.4V(82) | CL684-1148-0-82 | 16 | 7.5 | 17.5 | 21.5 |
| DF30CJ-20DP-0.4V(82) | CL684-1147-7-82 | 16 | 7.5 | 17.5 | 21.5 |



C-C



↑ DIRECTION OF UNREELING

| | | | | | |
|----------------|-----------------------|--------------|-------------|-----------|----------|
| CODE NO. (OLD) | DRAWN | DESIGNED | CHECKED | APPROVED | RELEASED |
| | F. Matsuki | A. Takahashi | T. Miyazaki | J. Oka | |
| | '05.03.08 | '05.03.08 | '05.03.09 | '05.03.09 | |
| DRAWING NO. | PART NO. | | | | |
| EDC3-304055-01 | DF30CJ-***DP-0.4V(82) | | | | |
| SCALE | CODE NO. | | | | |
| 5 : 1 | CL684-*****-82 | | | | |
| UNITS | | | | | |
| mm | | | | | |

| | |
|----|--|
| TO | |
| | |
| | |