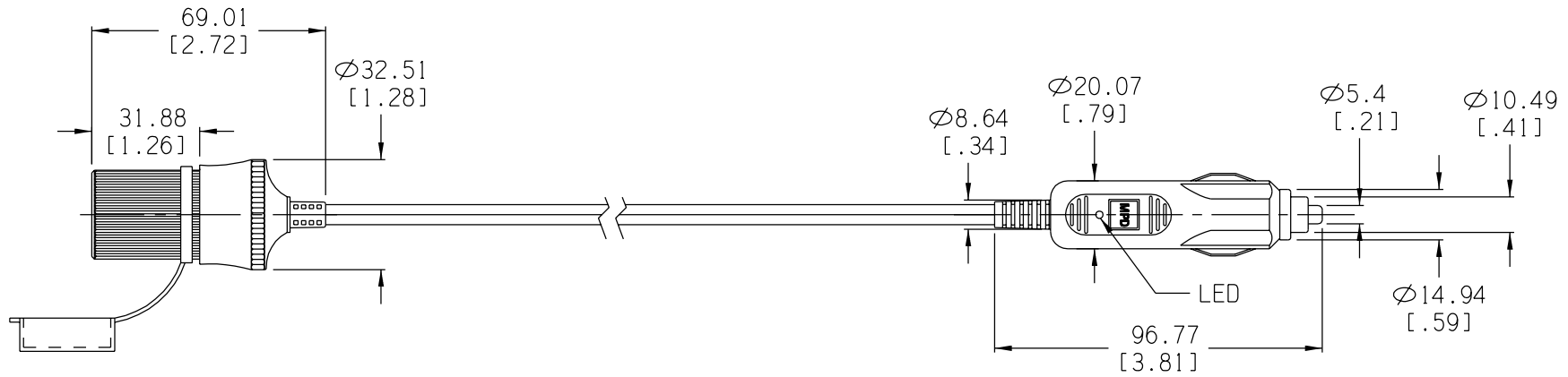


Date	SYM	REVISION RECORD	AUTH	DR.	CK.
1/14/06	A	Added "ROHS COMPLIANT"	T.B.	B.S.	



ROHS COMPLIANT

BILL OF MATERIAL

Tolerance
(Inches)



Memory Protection Devices, Inc.

200 Broad Hollow Road, Farmingdale, New York 11735

PART #	QTY.	DESCRIPTION
APP-001	1	CIGARETTE PLUG FOR 21 OR 22.2mm DIA. SOCKETS
ZA2010	1	PLASTIC CIGARETTE SOCKET
FUSE	1	3AG (6.35 x 30mm), 10 AMP.
CORD	1	SPT-1, 18 AWG, 105°C, UL-VW-1
AS-210B	1	PLASTIC COVER, PVC

Fractional
± .8 (.030)

Title
12' AUTO EXTENSION CORD SET, 10 AMP. FUSE, RED LED

Angular
± 3°

Date
1/14/06

Drawing Number
ZA5071

Scale
Drawn By B.S.
Approved By T.B.