

| COUNT | DESCRIPTION OF REVISIONS | BY | CHKD | DATE | COUNT | DESCRIPTION OF REVISIONS | BY | CHKD | DATE |
|-------|--------------------------|----|------|------|-------|--------------------------|----|------|------|
|       |                          |    |      |      |       |                          |    |      |      |
|       |                          |    |      |      |       |                          |    |      |      |
|       |                          |    |      |      |       |                          |    |      |      |

Fig.1 : RECOMMENDED PATTERN Fig.2 : PLATING SPECIFICATION (40:1)

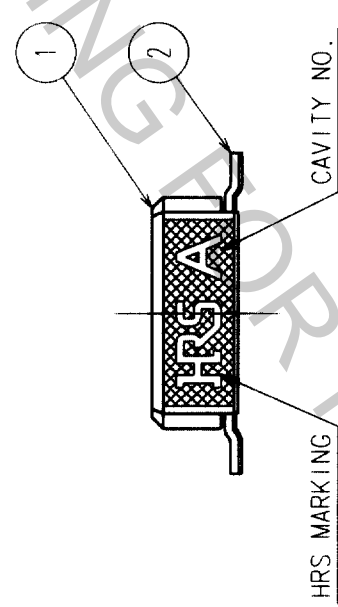
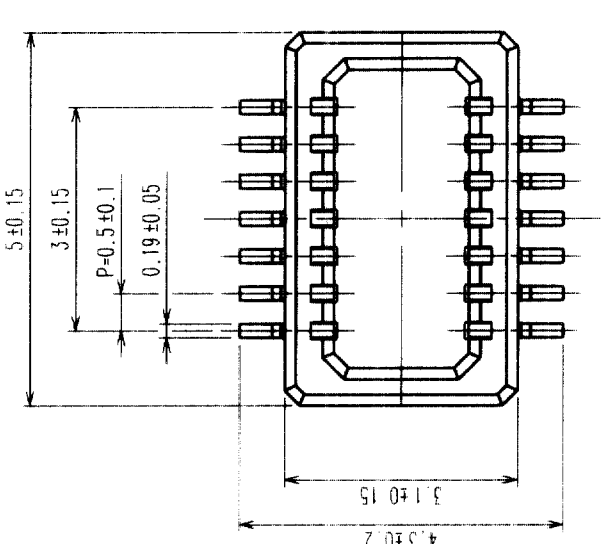
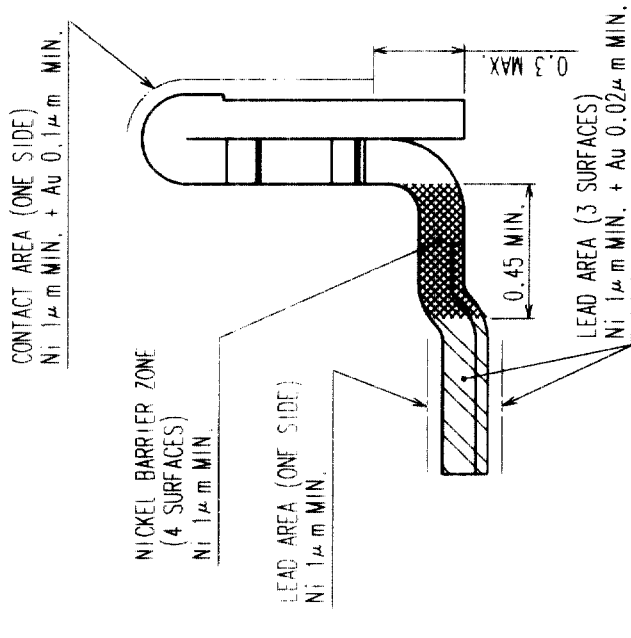
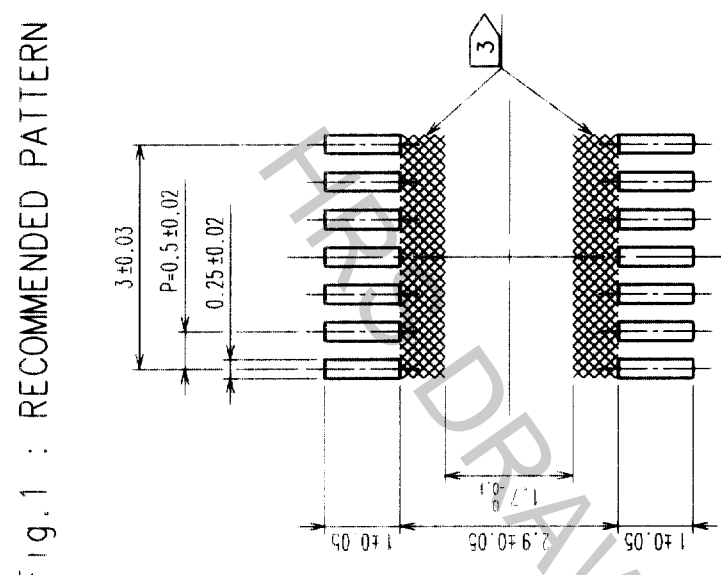
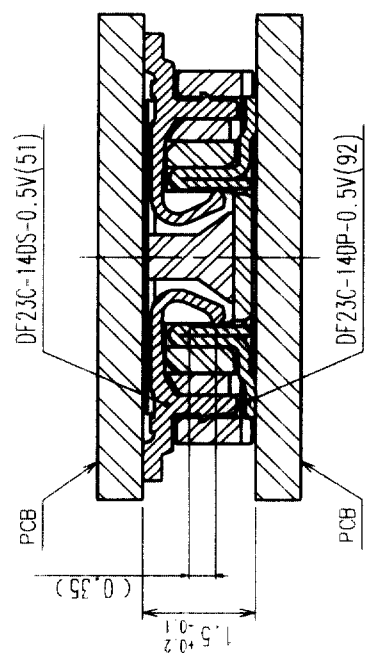
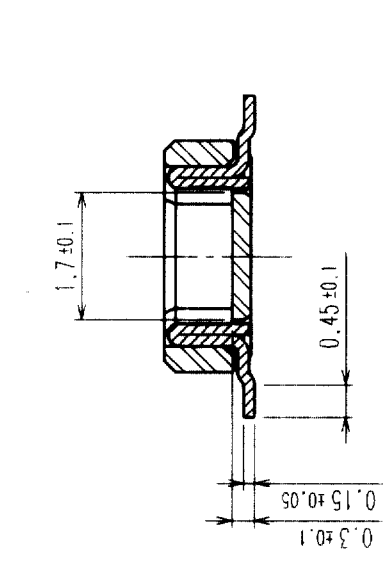


Fig.3 : A-A CROSS SECTION VIEW

Fig.4 : MATING VIEW



NOTES 1 LEAD CO-PLANARITY SHALL BE 0.1mm MAX.  
 2 REFER TO Fig.2  
 3 WHEN A PART MARKED WITH HAS A PATTERN BUT NO RESIST ON IT, TAKE CARE TO PREVENT THE CONNECTOR FROM TOUCHING IT.

| NO. | MATERIAL        | FINISH, REMARKS | NO. | MATERIAL  | FINISH, REMARKS |
|-----|-----------------|-----------------|-----|-----------|-----------------|
| 2   | PHOSPHOR BRONZE | 2               | 4   | POLYESTER | CLEAR           |
| 1   | LCP             | BLACK, UL94V-0  | 3   | PS        | CLEAR           |

| CODE NO. (OLD) | DRAWN       | DESIGNED    | CHECKED   | APPROVED  | RELEASED |
|----------------|-------------|-------------|-----------|-----------|----------|
|                | T. Yamamoto | T. Yamamoto | K. Aoyama | K. Aoyama |          |
|                | '03.10.1    | '03.10.2    | '03.10.2  | '03.10.2  |          |

| DRAWING NO.    | PART NO.            |
|----------------|---------------------|
| EDC3-163722-02 | DF23C-14DP-0.5V(92) |

| SCALE  | CODE NO.        |
|--------|-----------------|
| 10 : 1 | CL688-0800-5-92 |

| UNITS  | MM |
|--------|----|
| 10 : 1 | mm |

