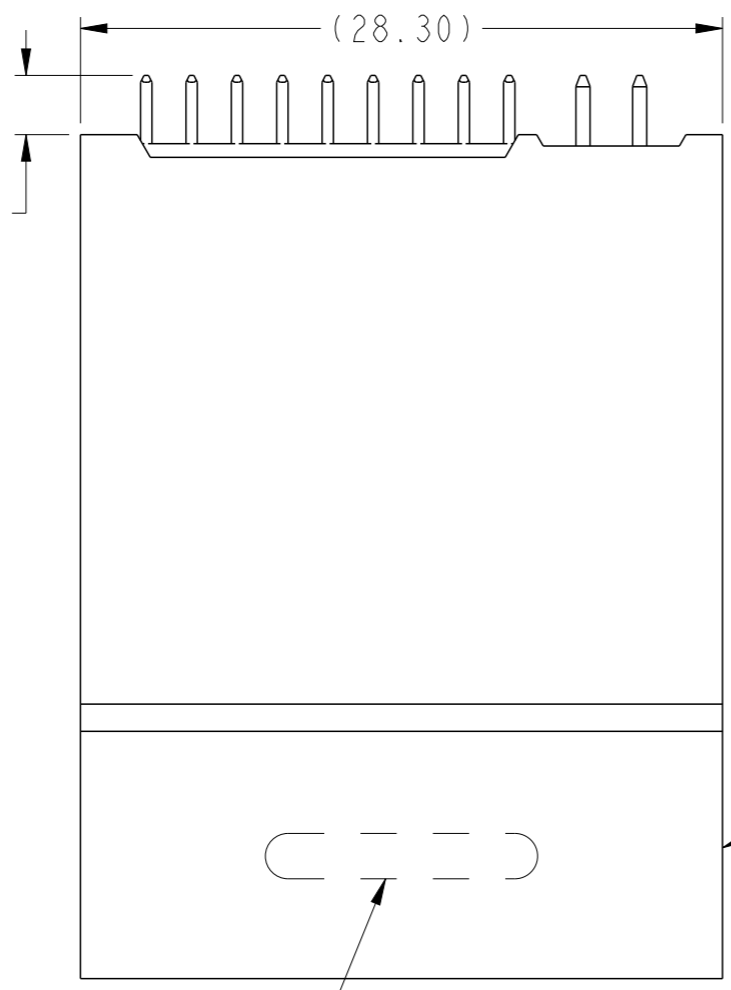


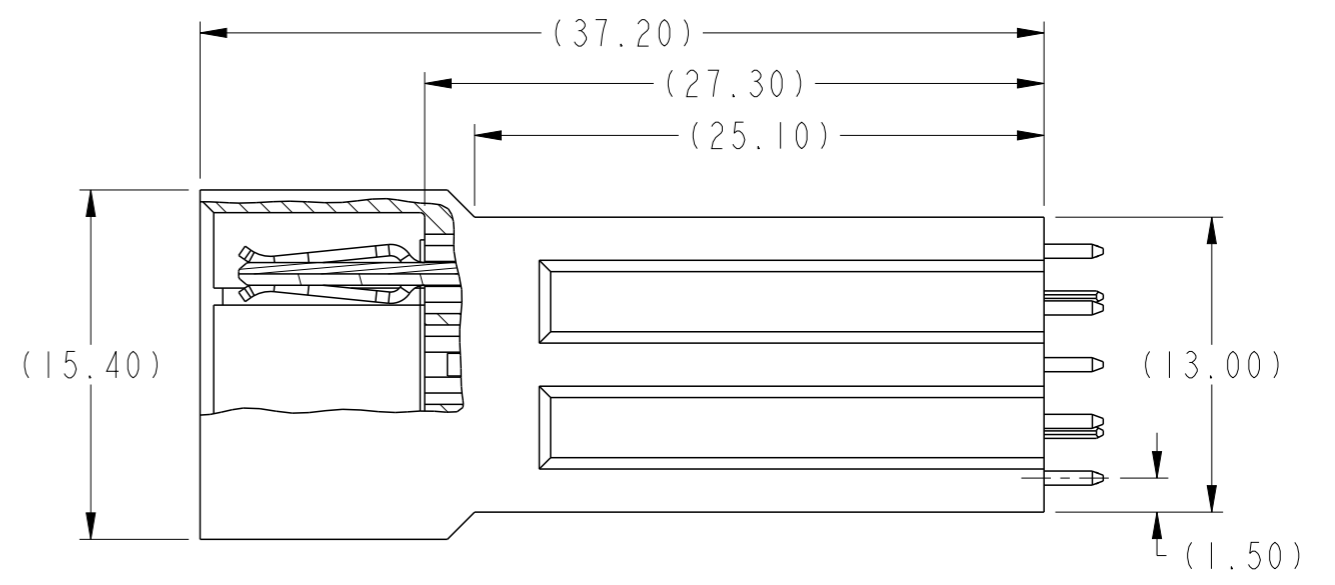
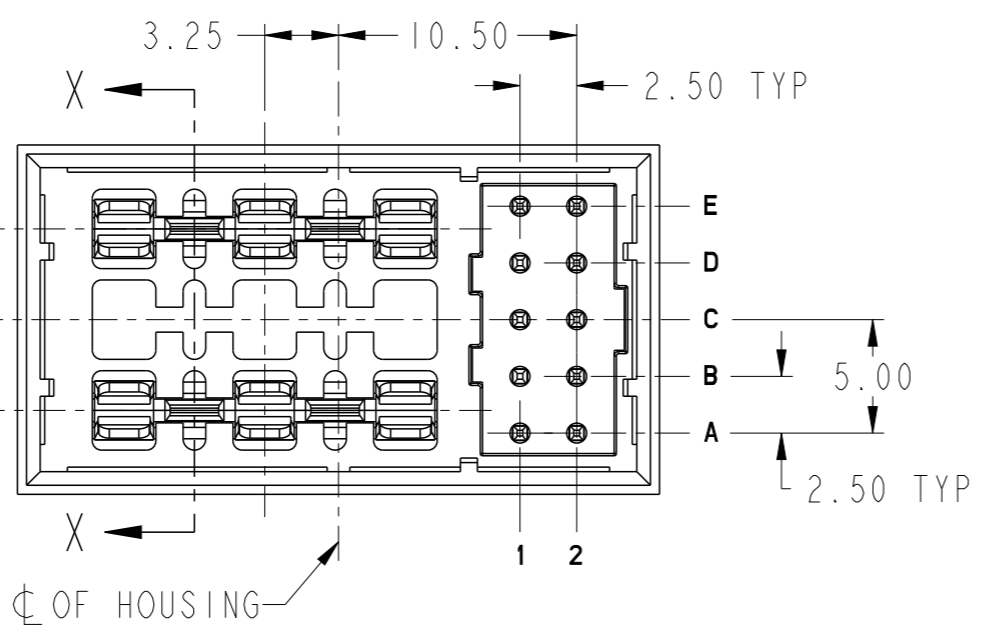
PRODUCT NUMBER
10139865-002LF



"TAIL LENGTH"
TYP

HOUSING
SEE NOTE 8

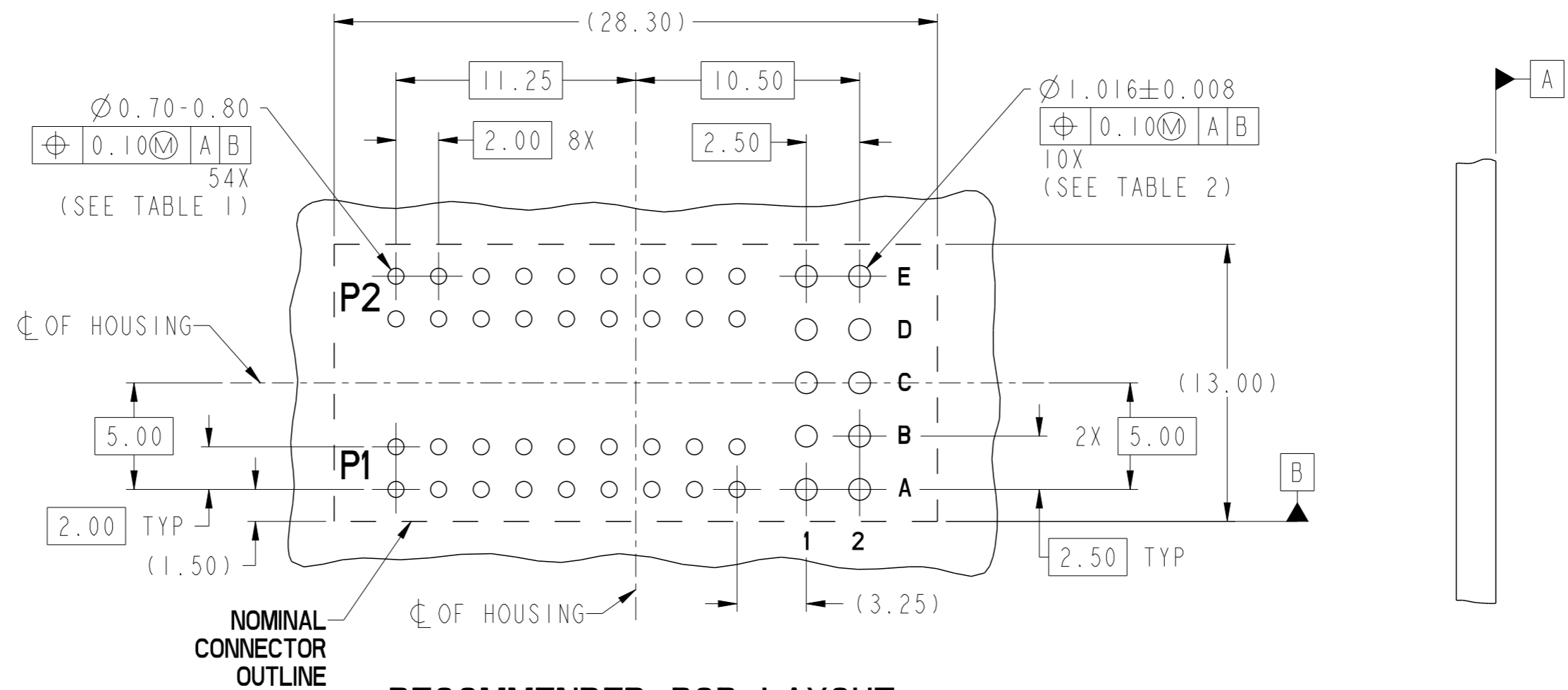
SEE NOTE 5



SECTION X-X

Amphenol
FCi
© 2016 AFCI

spec ref	-	dr	Chris Gieski	2016/06/01	projection	mm	size	A3	scale	3:1
tolerance std	ISO 406 ISO 1101	eng	Chris Gieski	2016/12/02			ecn no	ELX-V-25515-1	rel level	Released
TOLERANCES UNLESS OTHERWISE SPECIFIED		chr	-	2016/12/03						
surface	linear	0.X	±0.5	Amphenol FCi www.fci.com	VERT PLUG ASSY 2P+10S		dwg no	10139865	rev	B
		0.XX	±0.25		PwrMAX Mezz POWER CONNECTOR					
	angular	0°	±2°		cat. no.	-	Product - Customer Drw	sheet 1 of 4		



**RECOMMENDED PCB LAYOUT
COMPONENT SIDE**
(SEE NOTE 6)
SCALE 4:1

spec ref	-	dr	Chris Gieski	2016/06/01	projection	mm	size	A3	scale	3:1
tolerance std	ISO 406 ISO 1101	eng	Chris Gieski	2016/12/02			ecn no	ELX-V-25515-1	rel level	Released
TOLERANCES UNLESS OTHERWISE SPECIFIED		chr	-	2016/12/03						
surface	linear ISO 1302 angular	0.X ±0.5 0.XX ±0.25 0.XXX ±0.100 0° ±2°	Amphenol FCI www.fci.com		VERT PLUG ASSY 2P+10S PwrMAX Mezz POWER CONNECTOR		dwg no 10139865	rev B	Product - Customer Drw sheet 2 of 4	

1

2

3

4

TOP LAYER DESCRIPTION	TABLE 1 (PwrMAX POWER) PLATED THROUGH-HOLE REQUIREMENTS		
	DRILLED HOLE DIAMETER	COPPER THICKNESS	FINISHED HOLE DIAMETER
OSP (SEE NOTE 9)	0.81-0.86 (0.85 DRILL)	0.025 - 0.050	0.70 - 0.80

TOP LAYER DESCRIPTION	TABLE 2 (PwrMAX SIGNALS) PLATED THROUGH-HOLE REQUIREMENTS		
	DRILLED HOLE DIAMETER	COPPER THICKNESS	FINISHED HOLE DIAMETER
OSP (SEE NOTE 9)	1.075-1.125 ($\varnothing .0433 \pm .0010$)	0.025-0.050	0.94 - 1.10 ($\varnothing .040 \pm .003$)

Amphenol
FCi

© 2016 AFCI

spec ref	-	dr	Chris Gieski	2016/06/01	projection		size	A3	scale	1:1	
tolerance std	ISO 406 ISO 1101	eng	Chris Gieski	2016/12/02		mm	ecn no	ELX-V-25515-1			
surface		chr	-	-			product family	PwrMAX	rel level	Released	
		appr	Skip Fry	2016/12/03	VERT PLUG ASSY 2P+10S		dwg no	10139865		rev	B
					PwrMAX Mezz POWER CONNECTOR						
					www.fci.com	cat. no.	-	Product - Customer Drw	sheet 3 of 4		

2

3

PDS: Rev :B

STATUS:Released

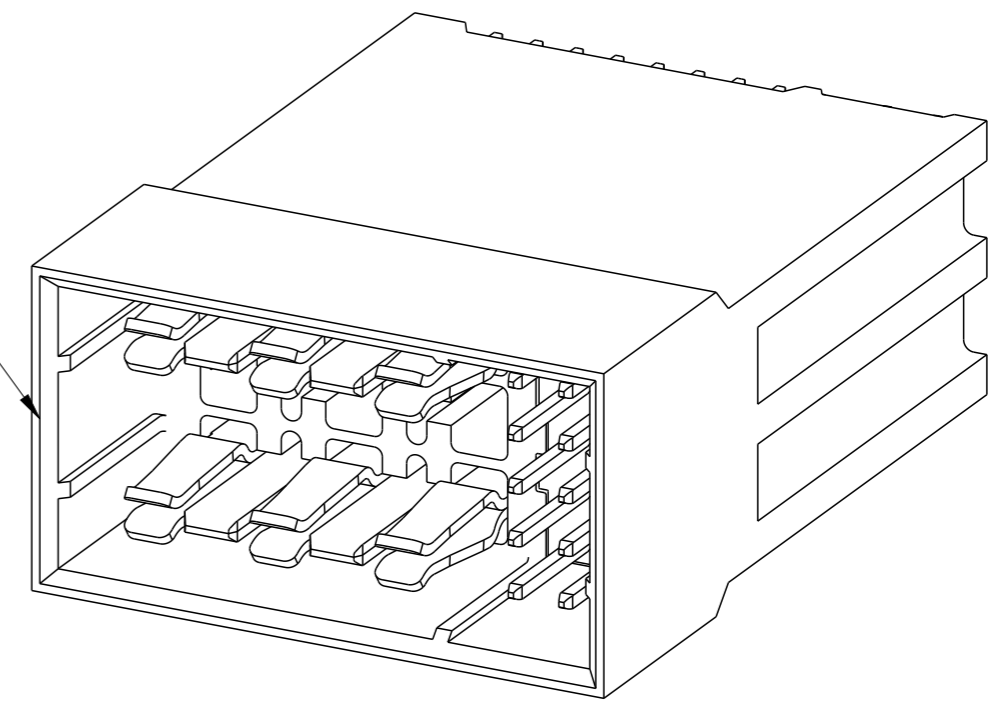
Printed: Dec 03, 2016

PART NUMBER	TAIL PLATING	TAIL TYPE	TAIL LENGTH
10139865-001LF	Sn	PRESS-FIT	3.43
10139865-002LF	Sn	SOLDER	2.61

NOTES:

- CONNECTOR MATERIALS:
HOUSING: HIGH TEMPERATURE THERMOPLASTIC, BLACK
UL 94V-0 COMPLIANT
CONTACTS: HIGH PERFORMANCE COPPER ALLOY
- CONTACT FINISH: HIGH PERFORMANCE SILVER BASED PLATING.
CONTACT TAIL FINISH: Sn PLATING 0.5 - 1.5µm
- PRODUCT SPECIFICATION: GS-12-1344.
- APPLICATION SPECIFICATION: GS-20-0463.
- PRODUCT MARKING (PRODUCT NUMBER & DATE CODE) ON HOUSING IN AREA SHOWN.
- MINIMUM NOMINAL PCB THICKNESS: 1.6mm
- PACKAGING MEETS FCI SPECIFICATION GS-14-2494.
- HOUSING COMPONENT WILL WITHSTAND EXPOSURE TO 260°C PEAK TEMPERATURE FOR 60 SECONDS IN A CONVECTION, INFRA-RED, OR VAPOR PHASE REFLOW OVEN.
- COPPER PLATING THICKNESS IN CENTER OF VIA-HOLE CAN BE NO MORE THAN 0.003 LESS THAN OTHER AREAS.
- ALL HOLE SIZES ARE FINISHED HOLE SIZES.
- MYLAR TAPE APPLIED TO THE FRONT OF THE CONNECTOR SHOULD BE REMOVED AFTER SOLDER PROCESS.

SEE NOTE 11



Amphenol FCI

© 2016 AFCI

spec ref	-	dr	Chris Gieski	2016/06/01	projection	mm	size	A3	scale	3:1
tolerance std	ISO 406 ISO 1101	eng	Chris Gieski	2016/12/02			ecn no	ELX-V-25515-1		
TOLERANCES UNLESS OTHERWISE SPECIFIED		chr	-	-			product family	PwrMAX	rel level	Released
surface	linear	appr	Skip Fry	2016/12/03			dwg no	10139865	rev	B
	angular	Amphenol FCI		VERT PLUG ASSY 2P+10S						
ISO 1302	0.X ±0.5 0.XX ±0.25 0.XXX ±0.100 0° ±2°	www.fci.com		PwrMAX Mezz POWER CONNECTOR						
		cat. no.		-		Product - Customer Drw		sheet 4 of 4		