

- 1N5819UR-1 AND 1N6761UR-1 AVAILABLE IN JAN, JANTX, JANTXV AND JANS PER MIL-PRF-19500/586
- 1 AMP SCHOTTKY BARRIER RECTIFIERS
- HERMETICALLY SEALED
- LEADLESS PACKAGE FOR SURFACE MOUNT
- METALLURGICALLY BONDED

CDLL6759 thru CDLL6761  
and  
CDLL1A20 thru CDLL1A100  
and  
1N5819UR  
and  
CDLL5817 thru CDLL5819

## MAXIMUM RATINGS

Operating Temperature: -55°C to +125°C  
Storage Temperature: -55°C to +150°C  
Average Rectified Forward Current: 1.0 AMP @ $T_{EC} = +55^{\circ}C$   
Derating: 14 mA / °C above  $T_{EC} = +55^{\circ}C$

ELECTRICAL CHARACTERISTICS @ 25°C, unless otherwise specified.

| CDI<br>TYPE<br>NUMBER    | WORKING PEAK<br>REVERSE<br>VOLTAGE | MAXIMUM FORWARD VOLTAGE |              |              | MAXIMUM REVERSE<br>LEAKAGE CURRENT<br>AT RATED VOLTAGE |                      |                       |
|--------------------------|------------------------------------|-------------------------|--------------|--------------|--|----------------------|-----------------------|
|                          |                                    | $V_{RWM}$               | $V_F @ 0.1A$ | $V_F @ 1.0A$ | $V_F @ 3.1A$   | $I_R @ +25^{\circ}C$ | $I_R @ +100^{\circ}C$ |
|                          |                                    | VOLTS                   | VOLTS        | VOLTS        | VOLTS  | mA                   | mA                    |
| CDLL5817                 | 20                                 | 0.36                    | 0.60         | 0.9          | 0.1  | 5.0                  |                       |
| CDLL5818                 | 30                                 | 0.36                    | 0.60         | 0.9          | 0.1  | 5.0                  |                       |
| CDLL5819                 | 40                                 | 0.36                    | 0.60         | 0.9          | 0.1  | 5.0                  |                       |
| J,JX,JV & JS<br>5819UR-1 | 45                                 | 0.34                    | 0.49         | 0.8          | 0.05   | 5.0                  |                       |
| CDLL6759                 | 60                                 | 0.38                    | 0.69         | N/A          | 0.1  | 6.0                  |                       |
| CDLL6760                 | 80                                 | 0.38                    | 0.69         | N/A          | 0.1  | 6.0                  |                       |
| CDLL6761                 | 100                                | 0.38                    | 0.69         | N/A          | 0.1  | 6.0                  |                       |
| J,JX,JV & JS<br>6761UR-1 | 100                                | 0.38                    | 0.69         | N/A          | 0.10   | 12.0                 |                       |
| CDLL1A20                 | 20                                 | 0.36                    | 0.60         | 0.9          | 0.1  | 5.0                  |                       |
| CDLL1A30                 | 30                                 | 0.36                    | 0.60         | 0.9          | 0.1  | 5.0                  |                       |
| CDLL1A40                 | 40                                 | 0.36                    | 0.60         | 0.9          | 0.1  | 5.0                  |                       |
| CDLL1A50                 | 50                                 | 0.36                    | 0.60         | 0.9          | 0.1  | 5.0                  |                       |
| CDLL1A60                 | 60                                 | 0.38                    | 0.69         | N/A          | 0.1  | 12.0                 |                       |
| CDLL1A80                 | 80                                 | 0.38                    | 0.69         | N/A          | 0.1  | 12.0                 |                       |
| CDLL1A100                | 100                                | 0.38                    | 0.69         | N/A          | 0.1  | 12.0                 |                       |

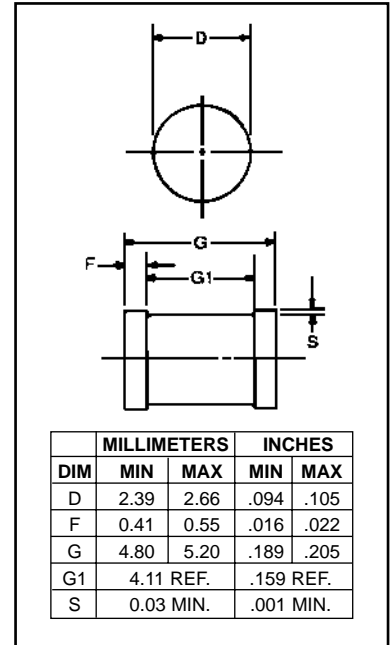


FIGURE 1

## DESIGN DATA

**CASE:** DO-213AB, Hermetically sealed glass case. (MELF, LL41)

**LEAD FINISH:** Tin / Lead

**THERMAL RESISTANCE:** ( $R_{\theta JC}$ ):  
40 °C/W maximum at L = 0 inch

**THERMAL IMPEDANCE:** ( $Z_{\theta JX}$ ): 12  
°C/W maximum

**POLARITY:** Cathode end is banded.

**MOUNTING SURFACE SELECTION:**  
The Axial Coefficient of Expansion (COE) Of this Device is Approximately +6PPM/°C. The COE of the Mounting Surface System Should Be Selected To Provide A Suitable Match With This Device.



**COMPENSATED DEVICES INCORPORATED**

22 COREY STREET, MELROSE, MASSACHUSETTS 02176  
PHONE (781) 665-1071 FAX (781) 665-7379  
WEBSITE: <http://www.cdi-diodes.com> E-mail: [mail@cdi-diodes.com](mailto:mail@cdi-diodes.com)

# CDLL6759 thru CDLL6761 and CDLL1A20 thru CDLL1A100 and CDLL5817 thru CDLL5819

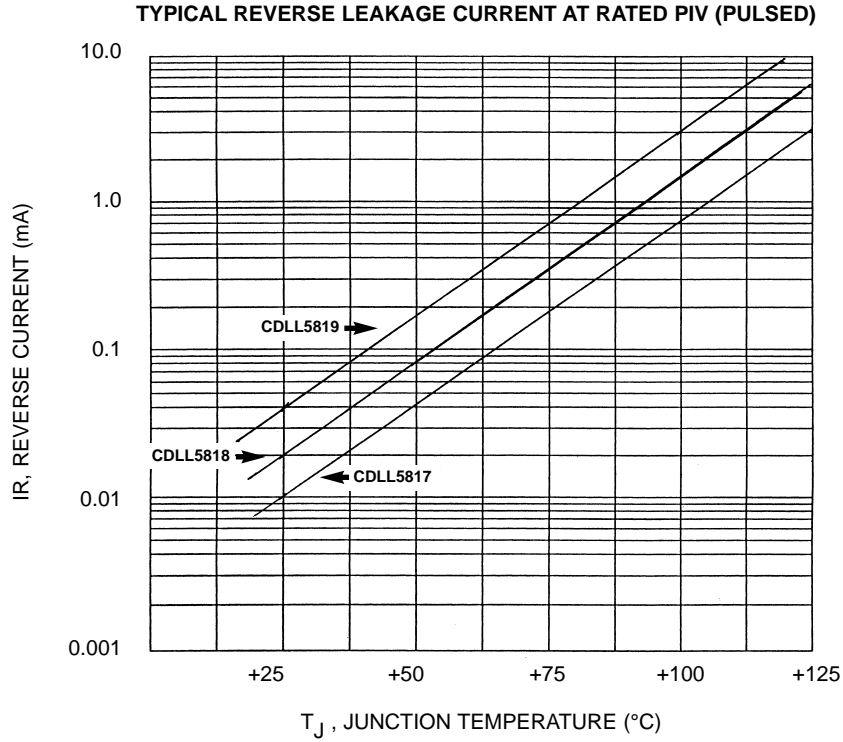


FIGURE 1

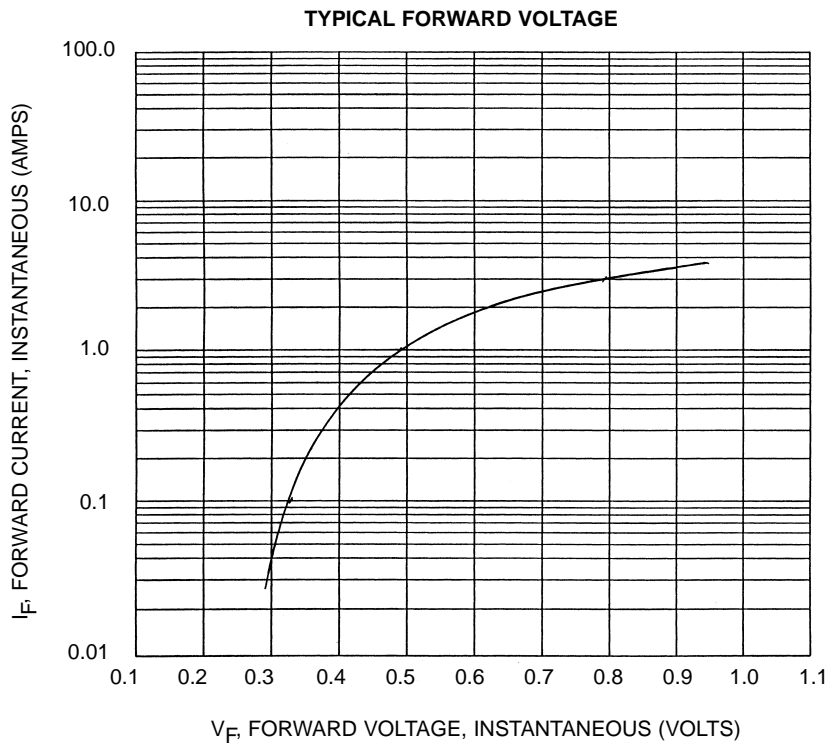


FIGURE 2