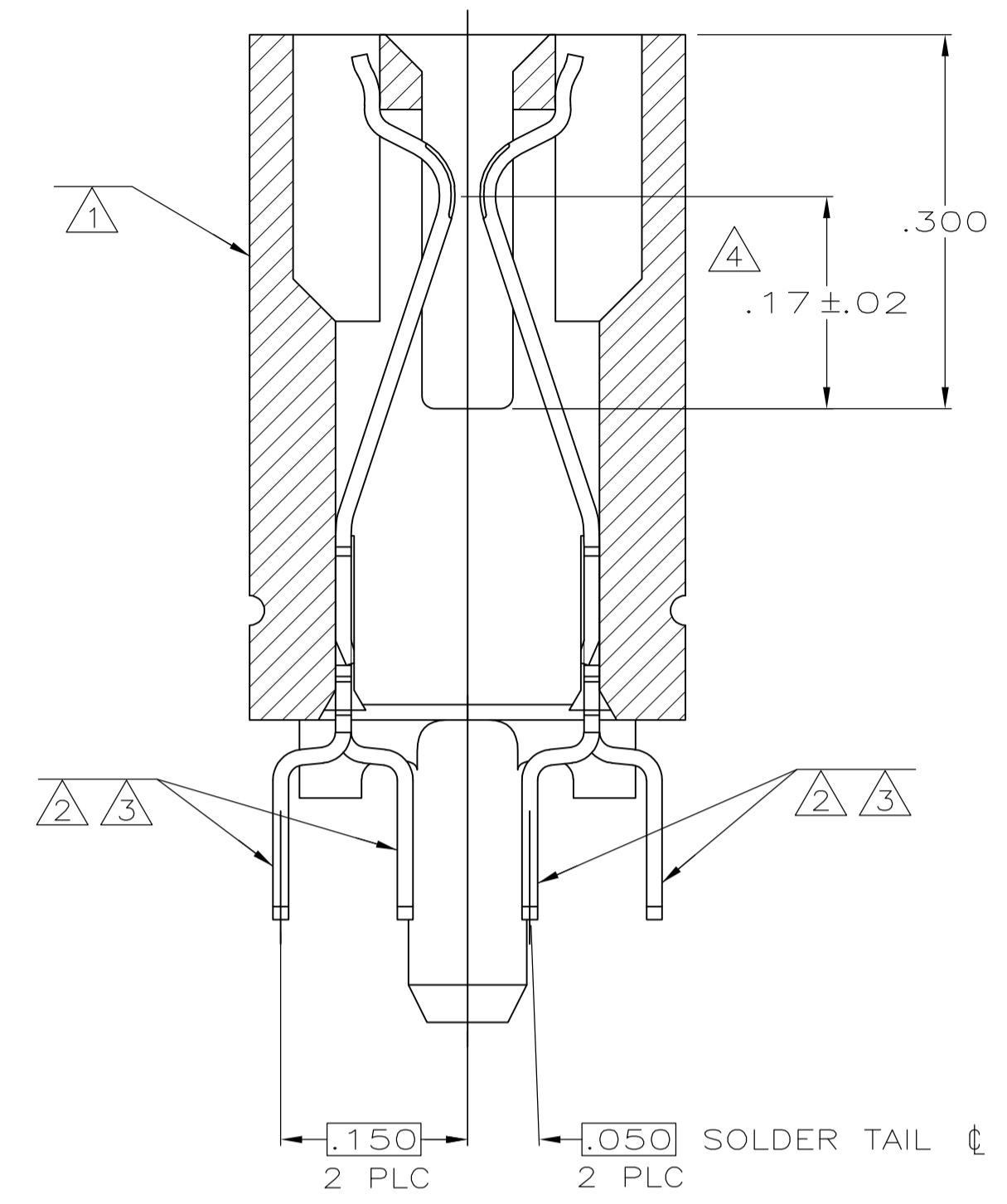
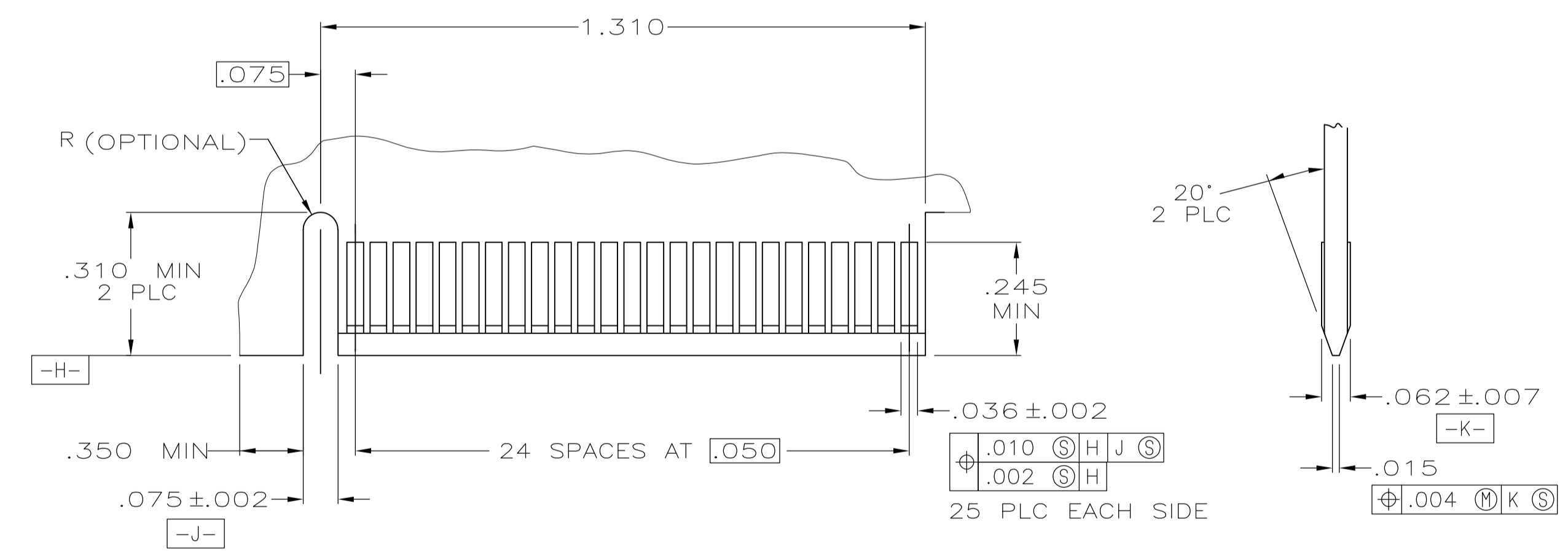


RECOMMENDED CONNECTOR MOUNTING HOLE PATTERN
(CONNECTOR SIDE SHOWN)



SECTION L-L
SCALE 8:1



RECOMMENDED MATING BOARD EDGE CONFIGURATION

- 1 HOUSING: HIGH TEMPERATURE THERMOPLASTIC. COLOR: BROWN.
- 2 CONTACT: PHOSPHOR BRONZE.
- 3 CONTACT FINISH: .000100 MIN NICKEL ALL OVER. .000030 MIN GOLD OVER NICKEL IN CONTACT AREA. .000100 MIN TIN-LEAD OVER NICKEL ON SOLDER TAILS.
- 4 DISTANCE FROM CONTACT POINT TO BOTTOM OF CARD SLOT.
- 5 AMP PART NUMBER, DATE CODE AND CSA LOGO MARKED IN APPROXIMATE AREA SHOWN.
- 6 PINS NO. 11 THRU NO.24 ARE NOT LOADED INTO HOUSING.

1.14 1489982-1
W PART NUMBER

THIS DRAWING IS A CONTROLLED DOCUMENT.		DWN: R. GRZYBOWSKI 13JUN08	Tyco Electronics Corporation Harrisburg, PA 17105-3608	
DIMENSIONS INCHES		CHK: A. FRANTUM 13JUN08	NAME: S. FLICKINGER 13JUN08	
TOLERANCES UNLESS OTHERWISE SPECIFIED:		PRODUCT SPEC: 108-14034		
0 PLC ± -		APPLICATION SPEC: 114-26012		
1 PLC ± -		SIZE: A1		
2 PLC ± .01		CAGE CODE: 00779		
3 PLC ± .005		DRAWING NO: 1489982		
4 PLC ± -		RESTRICTED TO: -		
ANGLES ± -		CUSTOMER DRAWING		
MATERIAL HOUSING: FINISH CONTACT: 3		SCALE: 4:1 SHEET 1 OF 1 REV A		