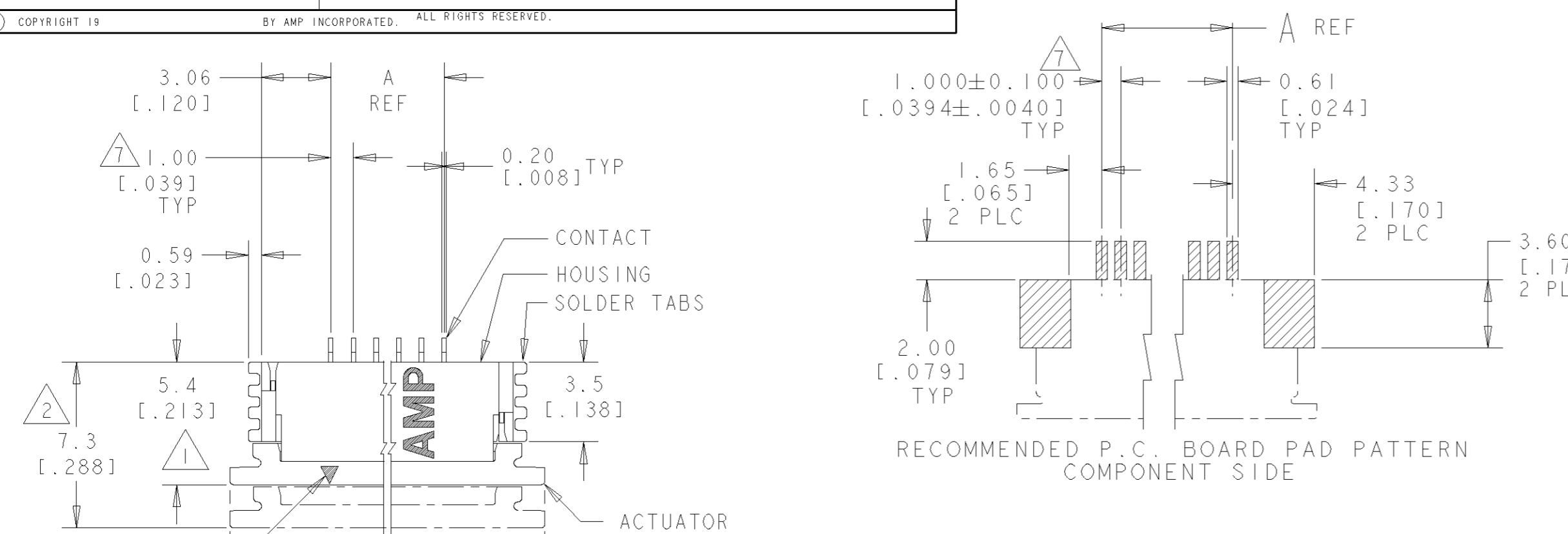
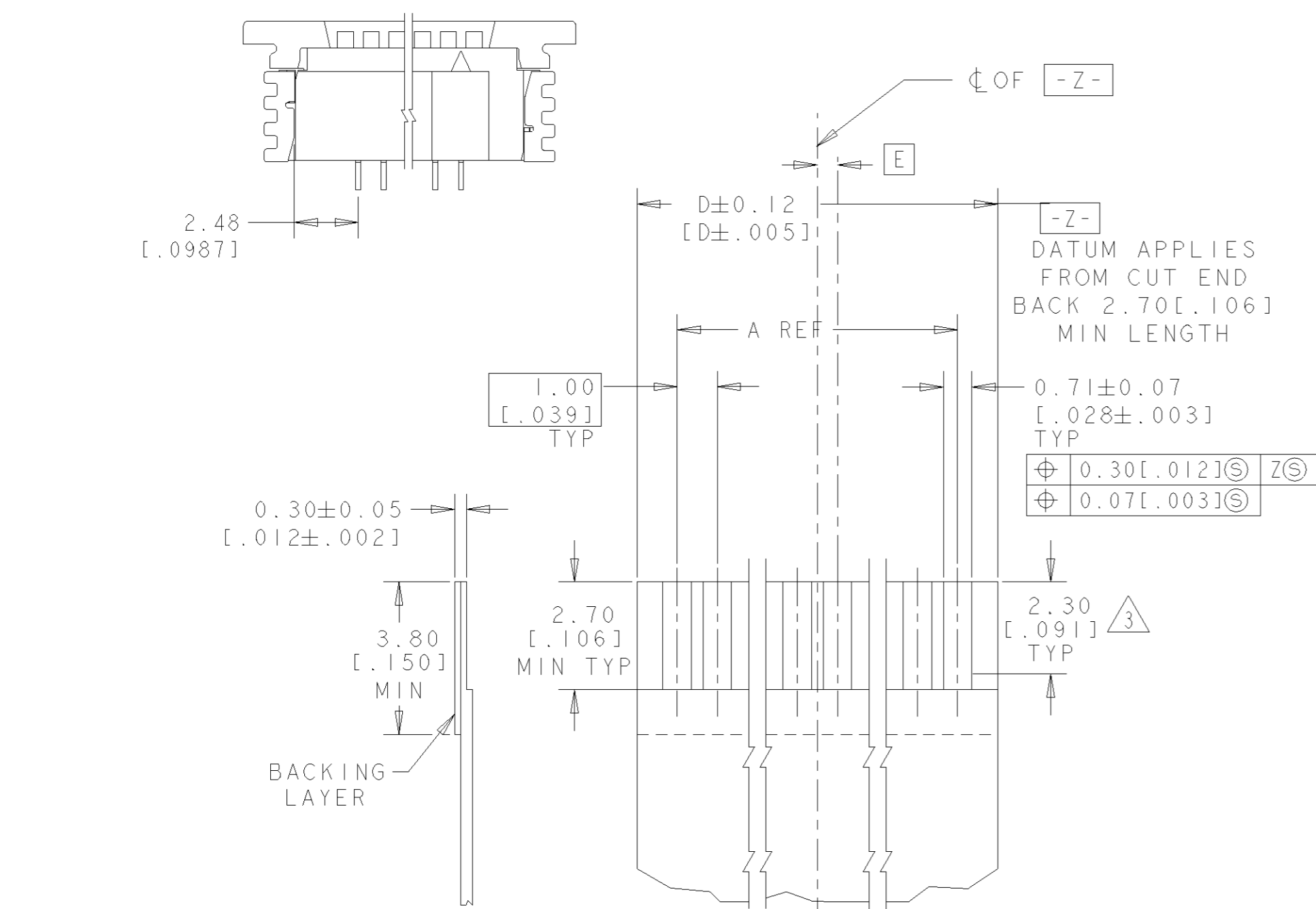
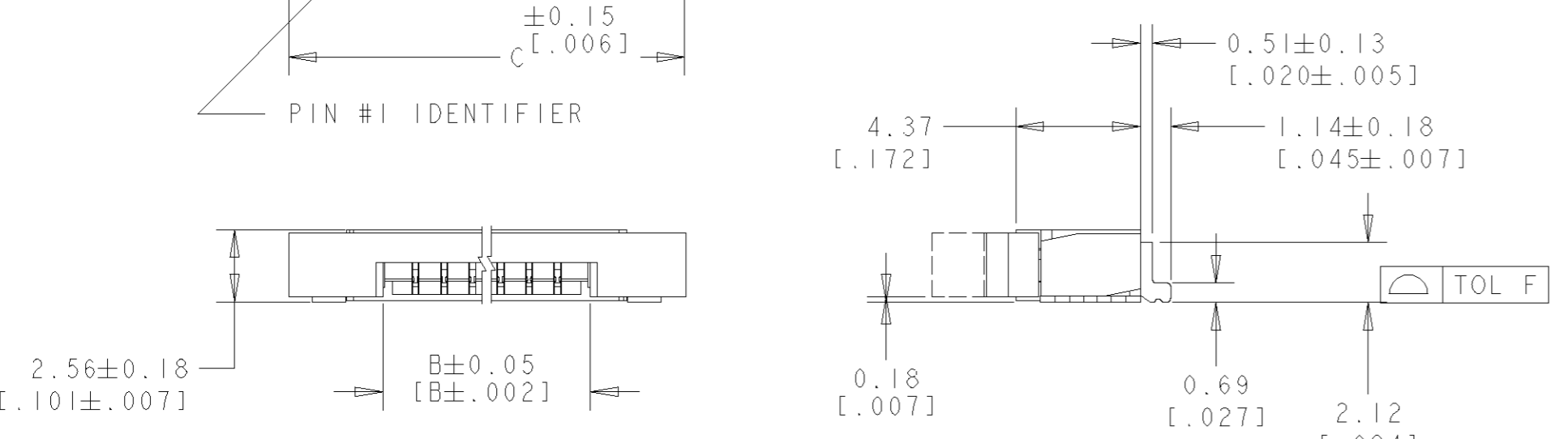


LOC		DIST		REVISIONS			
F	LTR	DATE	DWN	APVD			
DY	-						
B		REVISED ECR-05-017828	13DEC05	LWY	VT		



- 1. DIMENSION APPLIES WHEN ACTUATOR IS IN CLOSED POSITION.
- 2. DIMENSION APPLIES WHEN ACTUATOR IS IN OPEN POSITION.
- 3. MAXIMUM ENGAGEMENT LENGTH TO CONTACT POINT.
- 4. CONTACTS: 0.00005 [0.000002] MIN. AU FLASH OVER 0.0013 [0.000050] MIN. NICKEL.
- 5. SOLDER TABS: 0.0013 [0.000050] MIN. TIN.
- 6. PACKAGE PER EIA 481 SPECIFICATION.
- 7. TOLERANCE NON-CUMULATIVE.
- 8. MATERIAL: CONTACT: PHOSPHOR BRONZE. SOLDER TABS: PHOSPHOR BRONZE. HOUSING: GLASS REINFORCED POLYESTER (LCP), UL 94V-0, COLOR-NATURAL. ACTUATOR: GLASS REINFORCED NYLON (PPA), UL 94V-0 OR GLASS REINFORCED PPS, UL 94V-0, COLOR-BLACK.



RECOMMENDED FPC LAYOUT SCALE 8:1

0.50 [0.0197]	31.00 [1.221]	37.92 [1.492]	31.18 [1.228]	29.0 [1.142]	30	3-1735265-0
-	30.00 [1.181]	36.92 [1.454]	30.18 [1.188]	28.0 [1.102]	29	2-1735265-9
0.50 [0.0197]	29.00 [1.142]	35.92 [1.414]	29.18 [1.149]	27.0 [1.063]	28	2-1735265-8
-	28.00 [1.102]	34.92 [1.375]	28.18 [1.109]	26.0 [1.024]	27	2-1735265-7
0.50 [0.0197]	27.00 [1.063]	33.92 [1.335]	27.18 [1.070]	25.0 [0.984]	26	2-1735265-6
-	26.00 [1.024]	32.92 [1.296]	26.18 [1.031]	24.0 [0.945]	25	2-1735265-5
0.50 [0.0197]	25.00 [0.984]	31.92 [1.257]	25.18 [0.991]	23.0 [0.906]	24	2-1735265-4
-	24.00 [0.945]	30.92 [1.217]	24.18 [0.952]	22.0 [0.866]	23	2-1735265-3
0.50 [0.0197]	23.00 [0.906]	29.92 [1.179]	23.18 [0.913]	21.0 [0.827]	22	2-1735265-2
-	22.00 [0.866]	28.92 [1.139]	22.18 [0.873]	20.0 [0.787]	21	2-1735265-1
0.50 [0.0197]	21.00 [0.827]	27.92 [1.099]	21.18 [0.834]	19.0 [0.748]	20	2-1735265-0
-	20.00 [0.787]	26.92 [1.060]	20.18 [0.794]	18.0 [0.709]	19	1-1735265-9
0.50 [0.0197]	19.00 [0.748]	25.92 [1.020]	19.18 [0.755]	17.0 [0.669]	18	1-1735265-8
-	18.00 [0.709]	24.92 [0.981]	18.18 [0.716]	16.0 [0.630]	17	1-1735265-7
0.50 [0.0197]	17.00 [0.669]	23.92 [0.942]	17.18 [0.676]	15.0 [0.591]	16	1-1735265-6
-	16.00 [0.630]	22.92 [0.902]	16.18 [0.637]	14.0 [0.551]	15	1-1735265-5
0.50 [0.0197]	15.00 [0.591]	21.92 [0.863]	15.18 [0.598]	13.0 [0.512]	14	1-1735265-4
-	14.00 [0.551]	20.92 [0.824]	14.18 [0.558]	12.0 [0.472]	13	1-1735265-3
0.50 [0.0197]	13.00 [0.512]	19.92 [0.784]	13.18 [0.519]	11.0 [0.433]	12	1-1735265-2
-	12.00 [0.472]	18.92 [0.745]	12.18 [0.480]	10.0 [0.394]	11	1-1735265-1
0.50 [0.0197]	11.00 [0.433]	17.92 [0.705]	11.18 [0.440]	9.0 [0.354]	10	1-1735265-0
-	10.00 [0.394]	16.92 [0.666]	10.18 [0.401]	8.0 [0.315]	9	1735265-9
0.50 [0.0197]	9.00 [0.354]	15.92 [0.627]	9.18 [0.361]	7.0 [0.276]	8	1735265-8
-	8.00 [0.315]	14.92 [0.587]	8.18 [0.322]	6.0 [0.236]	7	1735265-7
0.50 [0.0197]	7.00 [0.276]	13.92 [0.548]	7.18 [0.283]	5.0 [0.197]	6	1735265-6
-	6.00 [0.236]	12.92 [0.509]	6.18 [0.243]	4.0 [0.157]	5	1735265-5
0.50 [0.0197]	5.00 [0.197]	11.92 [0.469]	5.18 [0.204]	3.0 [0.118]	4	1735265-4

THIS DRAWING IS A CONTROLLED DOCUMENT FOR AMP INCORPORATED. IT IS SUBJECT TO CHANGE AND THE CONTROLLING ENGINEERING ORGANIZATION SHOULD BE CONTACTED FOR THE LATEST REVISION.		DWN WYLEE 8JUL05 CHK VINCENT TAN APVD WL CHOO PRODUCT SPEC 108-51074 APPLICATION SPEC - WEIGHT - CUSTOMER DRAWING	tyco Electronics Tyco Electronics Singapore Pte. Ltd.
DIMENSIONS: mm [INCHES]	TOLERANCES UNLESS OTHERWISE SPECIFIED: 0 PLC ± 1 PLC ± 2 PLC ±0.2 [0.008] 3 PLC ±0.1 [0.004] 4 PLC ± ANGLES ± FINISH	NAME 1mm FPC CONNECTOR, HORIZONTAL, SURFACE-MOUNT, BOTTOM CONTACT AU PLATED SIZE A2 CAGE CODE 00779 DRAWING NO. 1735265	SCALE 4:1 SHEET 1 OF 1 REV B