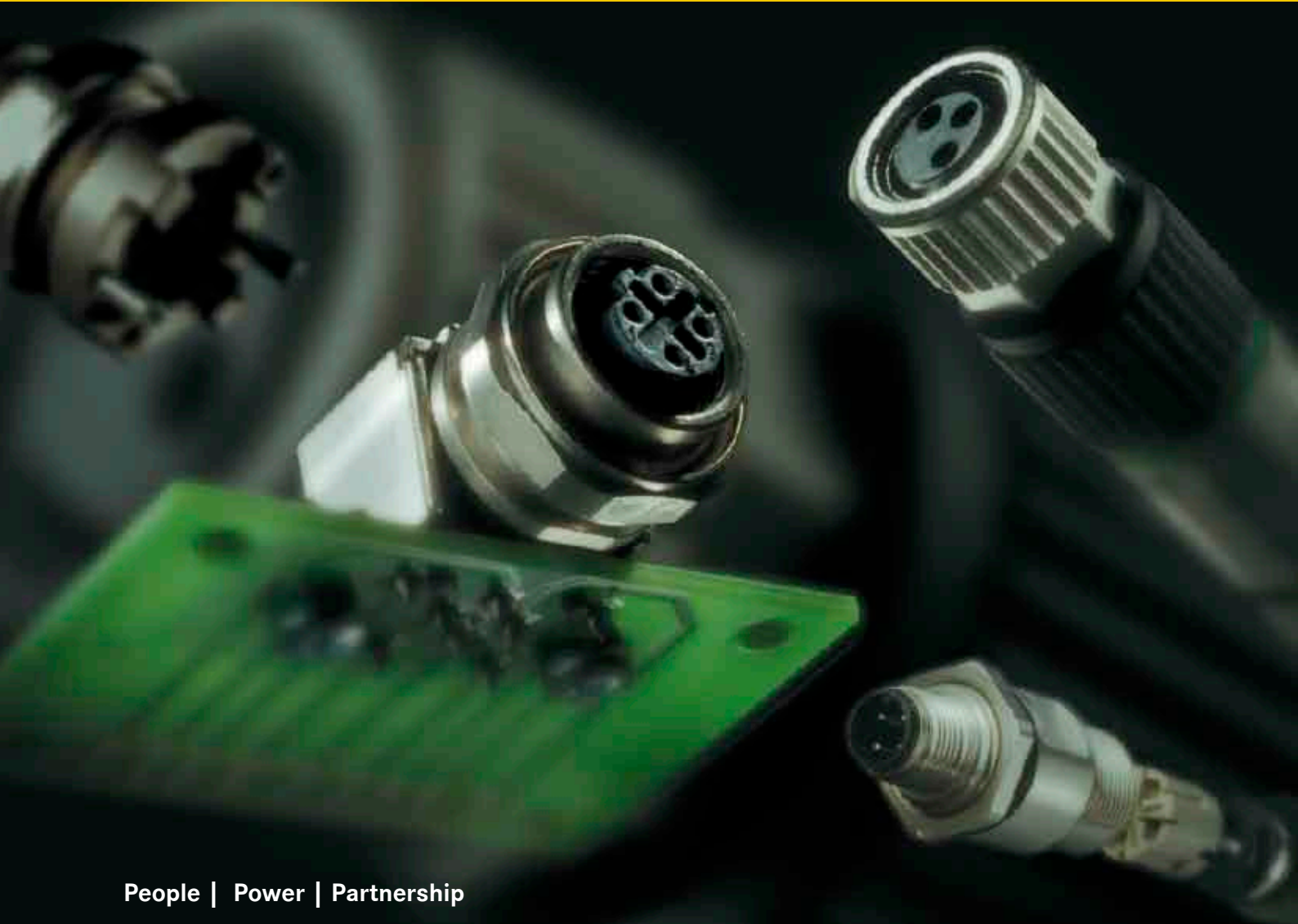




Pushing Performance

# HARTING M8/M12 Circular Connectors



People | Power | Partnership

## Technical characteristics

Specifications

IEC 60352-4  
IEC 61076-2-101  
IEC 61076-2-104

Approval

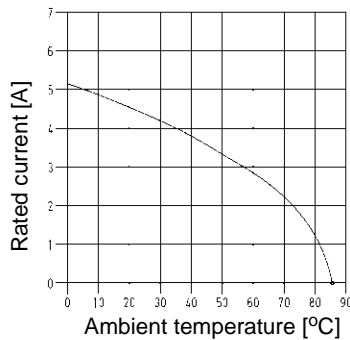


Construction type	HARAX® M8-S (0.08 mm <sup>2</sup> )	HARAX® M8-S/ M12-S	HARAX® M12 angled	HARAX® M12-L 3 poles, 4 poles	HARAX® M12-L 5 poles
Rated voltage	32 V	32 V	32 V	50 V	50 V
Rated current (see current carrying capacity)	2 A	4 A	4 A	6 A	4 A
Conductor cross section	0.08 - 0.14 mm <sup>2</sup> AWG 28 - 26	0.14 - 0.34 mm <sup>2</sup> AWG 26 - 22	0.25 - 0.5 mm <sup>2</sup> AWG 24/7 - 20	0.34 - 0.75 mm <sup>2</sup> AWG 22 - 18	0.25 - 0.34 mm <sup>2</sup> AWG 24 - 22 0.34 - 0.5 mm <sup>2</sup> AWG 22 - 20
Diameter of individual strands	≥ 0.05 mm	≥ 0.1 mm	≥ 0.1 mm	≥ 0.1 mm	≥ 0.1 mm
Conductor insulation material	PVC / PP / TPE	PVC / PP / TPE	PVC	PVC	PVC
Conductor diameter	0.6 - 1.0 mm	1.0 - 1.6 mm	1.2 - 1.6 mm	1.6 - 2.0 mm 2.0 - 2.6 mm	1.2 - 2.0 mm
Cable diameter	1.9 - 2.5 mm (transp.) 2.5 - 3.5 mm (grey)	M8-S: 2.5 - 5.1 mm M12-S: 2.9 - 4.0 mm (transp.) 4.0 - 5.1 mm (black)	4 - 5.1 mm	3 poles: 5.5 - 7.2 mm 4 poles: 6 - 8 mm	4.7 - 6 mm 6 - 8 mm
Limiting temperatures	- 25 °C / + 85 °C	- 25 °C / + 85 °C	- 25 °C / + 85 °C	- 25 °C / + 85 °C	- 40 °C / + 85 °C
Temperature during connection	- 5 °C ... + 50 °C	- 5 °C ... + 50 °C	- 5 °C ... + 50 °C	- 5 °C ... + 50 °C	- 5 °C ... + 50 °C
Degree of protection	IP 67	IP 67	IP 67	IP 65 / IP 67	IP 65 / IP 67
Termination cycles with the same cross section	10	10	10	10	10
Recommended tightening torque / Hexagonal wrench	0.4 Nm / SW 9	M8-S: 0.4 Nm / SW 9 M12-S: 0.6 Nm / SW 13	0.6 Nm / SW 13	0.6 Nm / SW 17	0.6 Nm / SW 17
Page	8	8 / 13	13	17	17

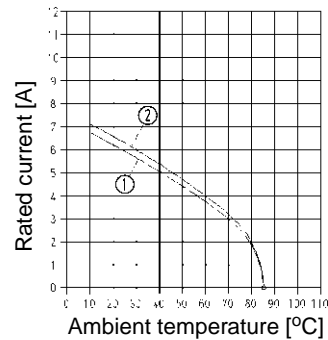
**Current carrying capacity** The current carrying capacity is limited by maximum temperature of materials for inserts and contacts including terminals. The current capacity-curve is valid for continuous, not interrupted current-loaded contacts of connectors when simultaneous power on all contacts is given, without exceeding the maximum temperature.

Control and test procedures according to DIN IEC 60512-5.

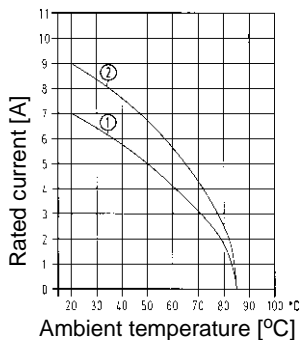
**M8-S, 3 poles** wire gauge 0.14 mm<sup>2</sup>



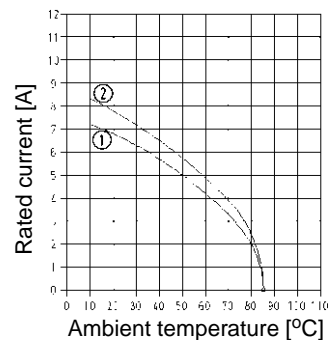
**M8-S, 4 poles** 1 = wire gauge 0.25 mm<sup>2</sup>  
**M12-S, 4 poles** 2 = wire gauge 0.34 mm<sup>2</sup>



**M12-L** 1 = wire gauge 0.34 mm<sup>2</sup>  
**3 poles, 4 poles** 2 = wire gauge 0.75 mm<sup>2</sup>



**M12, 4 poles, angled** 1 = wire gauge 0.25 mm<sup>2</sup>  
2 = wire gauge 0.5 mm<sup>2</sup>



## Technical characteristics

Specifications

IEC 60352-4  
IEC 61076-2-101  
IEC 61076-2-104

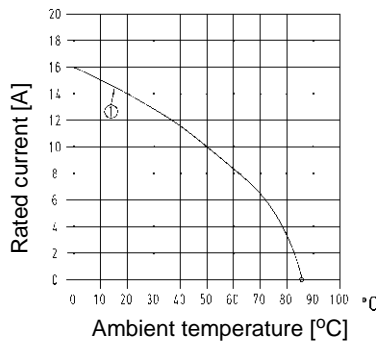
Approval



Construction type	HARAX® M12-L screened version, A-coded	HARAX® M12-L screened version PROFIBUS	HARAX® M12-L screened version Ethernet	Han® M12 Crimp	Han® 7/8"
Rated voltage	50 V	32 V	50 V	50 V	230 V / 400 V
Rated current (see current carrying capacity)	4 A	4 A	4 A	4 A	10 A
Conductor cross section	0.14 - 0.34 mm <sup>2</sup> AWG 26 - 22	0.25 - 0.34 mm <sup>2</sup> AWG 24 - 22	① 0.14 - 0.34 mm <sup>2</sup> AWG 26 - 22 ② 0.34 - 0.5 mm <sup>2</sup> AWG 22-20	0.34 - 0.5 mm <sup>2</sup> AWG 22 - 20	0.75 - 1.5 mm <sup>2</sup> AWG 18 - 16
Diameter of individual strands	≥ 0.1 mm	≥ 0.1 mm	≥ 0.1 mm		≥ 0.15 mm
Conductor insulation material	PVC	PVC, Zell-PE	PVC / PE		PVC, PP, TPE
Conductor diameter	1.2 - 1.6 mm	2 - 2.6 mm	1.2 - 2.0 mm	2.0 - 2.3 mm	≤ 2.8 mm
Cable diameter	7 - 8.8 mm	7 - 8.8 mm	① 5.5 - 7.2 mm (black) ② 7 - 8.8 mm (lightgrey)	4.5 - 5.4 mm (transparent) 7 - 8.8 mm (lightgrey)	6.8 - 9.5 mm (black) 9 - 12.5 mm (grey)
Limiting temperatures	- 25 °C / + 85 °C	- 25 °C / + 85 °C	- 25 °C / + 85 °C	- 40 °C / + 85 °C	- 40 °C / + 85 °C
Temperature during connection	- 5 °C ... + 50 °C	- 5 °C ... + 50 °C	- 5 °C ... + 50 °C	- 5 °C ... + 50 °C	- 5 °C ... + 50 °C
Degree of protection	IP 67	IP 67	IP 67	IP 67	IP 65 / IP 67
Termination cycles with the same cross section	10	10	10		10
Recommended tightening torque / Hexagonal wrench	0.6 Nm / SW 17	0.6 Nm / SW 17	0.6 Nm / SW 17	0.6 Nm / SW 17	1.5 Nm / SW 22
Page	20	22	26	21 / 27	32

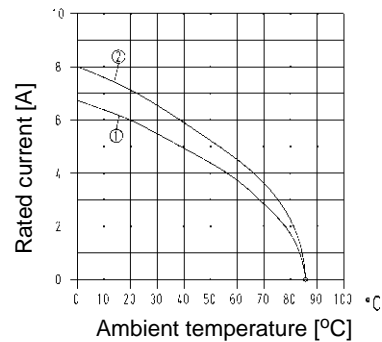
7/8"

1 = wire gauge 0.75 mm<sup>2</sup> / 1.5 mm<sup>2</sup>



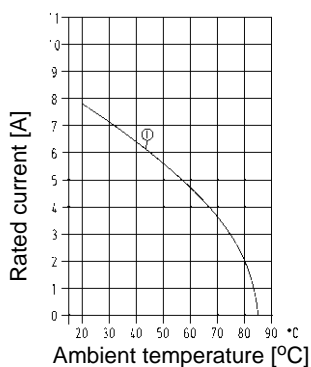
M12L, 5 poles

1 = wire gauge 0.25 mm<sup>2</sup>  
2 = wire gauge 0.34 mm<sup>2</sup>



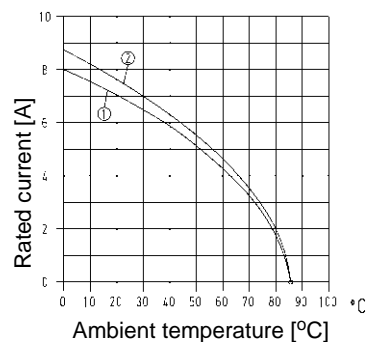
M12, Crimp

1 = wire gauge 0.34 mm<sup>2</sup> / 0.5 mm<sup>2</sup>

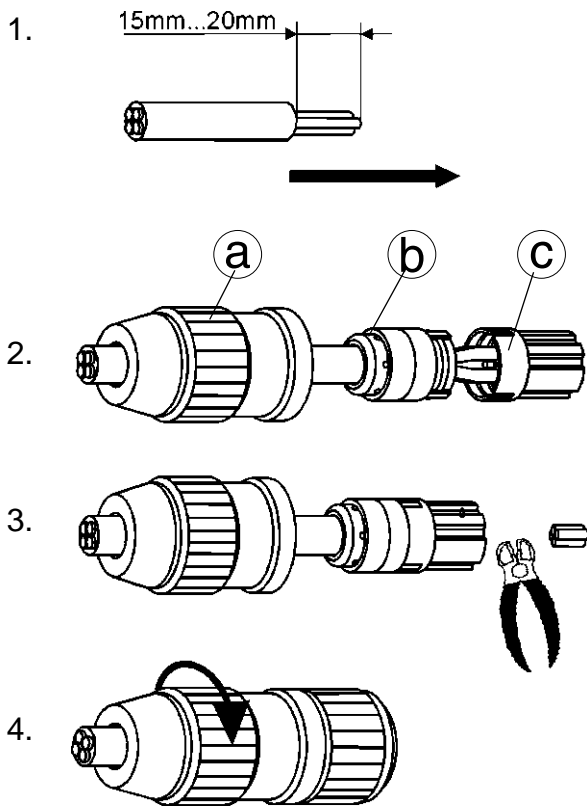


M12L, 5 poles

1 = wire gauge 0.34 mm<sup>2</sup>  
2 = wire gauge 0.5 mm<sup>2</sup>



## Assembly manual HARAX®, M8-S / M12-S unshielded



1. strip cable

2. assemble HARAX® elements

- Ⓐ Nut
- Ⓑ Strain relief
- Ⓒ Insert

3. cut off cable ends

Screw the nut onto the insert until a stop is noticeable.

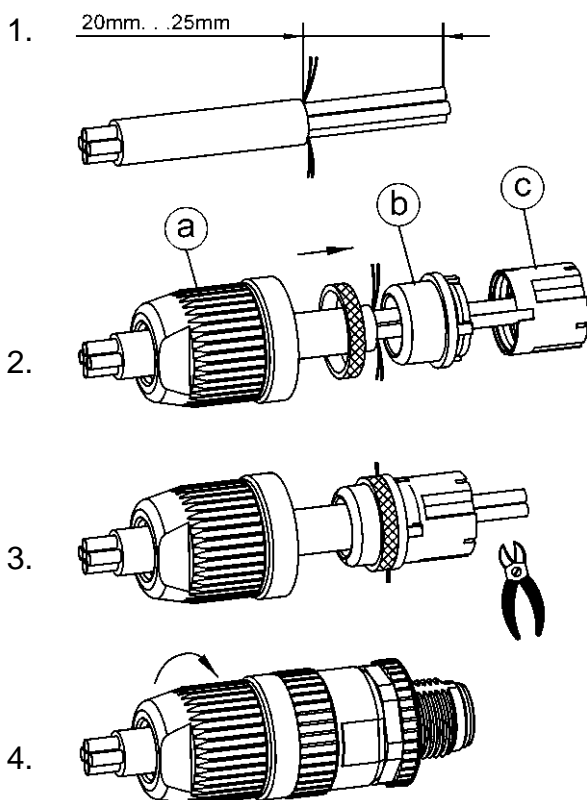
4. screw the connector

Note!

For reconnection cut off the used cable ends and repeat steps 1 to 4.

The seal has to be replaced when worn.

## Assembly manual HARAX®, M12-L shielded



1. strip cable

2. assemble HARAX® elements

twist screening braid and push it into the sealing slot

- Ⓐ Nut
- Ⓑ Strain relief
- Ⓒ Insert

3. Slide ring over the sealing cut off cable ends and the screening braid

4. screw the connector

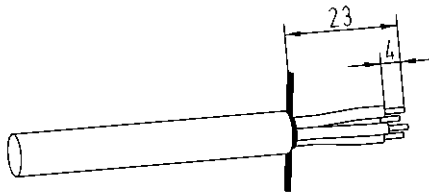
Note!

For reconnection cut off the used cable ends and repeat steps 1 to 4.

The seal has to be replaced when worn.

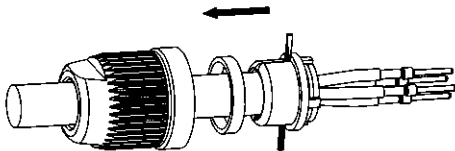
## Assembly manual Han® M12 Crimp

1.



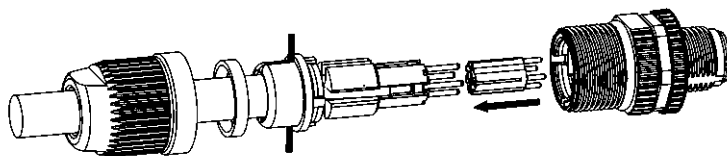
1. Remove cable jacket and strip cores. Twist screening braid as shown and crimp contacts.

2.



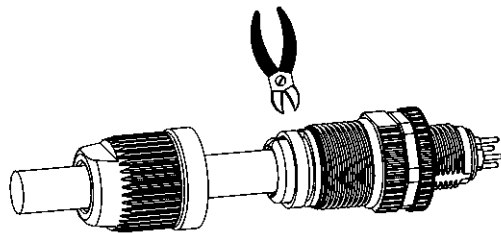
2. Slide screw cap, ring and sealing onto the cable. Push screening braid into the sealing slot.

3.



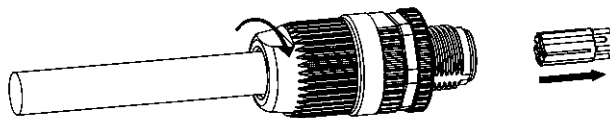
3. Insert contacts into locator from the side. Fix contacts with the aid of assembly aid. Slide locator into connector, pay attention to the coding.

4.



4. Sealing has to be flush with connector. Slide ring over the sealing and cut off screening braid.

5.

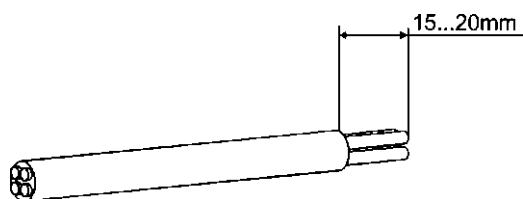


5. Tighten screw cap. Remove assembly aid.

The seal has to be replaced when worn.

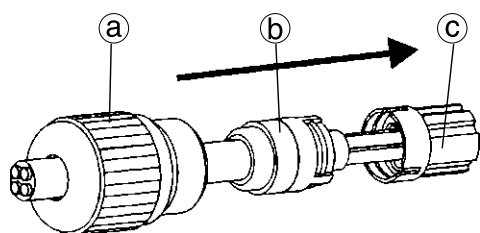
Assembly manual HARAX® Pg 9 panel feed-through

1.



1. Strip cable jacket

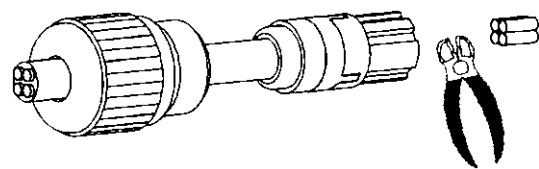
2.



2. Assemble HARAX® elements

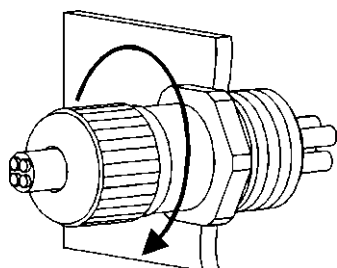
- Ⓐ Nut
- Ⓑ Strain relief
- Ⓒ Insert

3.



3. Cut off cable ends

4.



4. Twist the nut onto the insert until a stop is noticeable

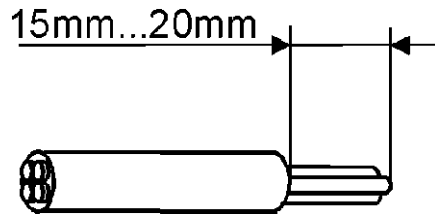
Note!

For reconnection cut off the used cable ends and repeat steps 1 to 4.

The seal has to be replaced when worn.

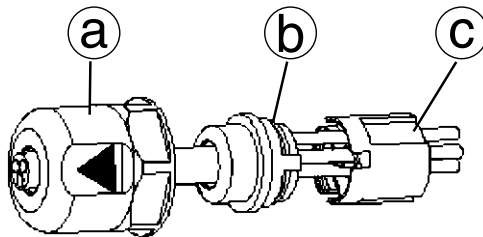
Assembly manual HARAX® Pg 13.5 / M20 panel feed-through

1.



1. Connection and disconnection of the cable must only be performed by suitably qualified persons when supply is isolated.

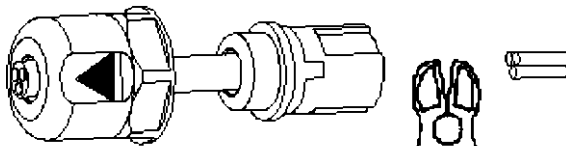
2.



2. HARAX® Pg 13.5 – 3 contacts – is supplied with either faston blades or solder terminals.

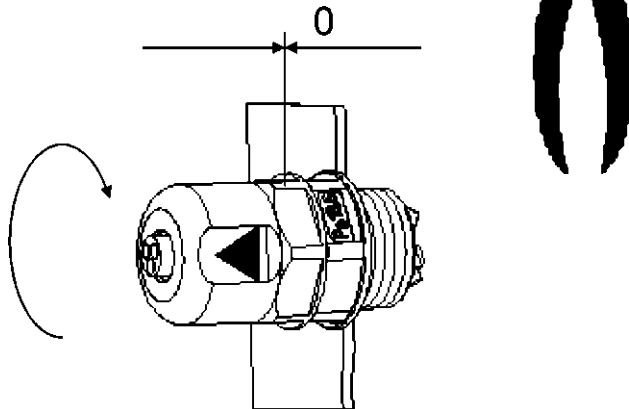
- (a) Nut
- (b) Strain relief
- (c) Insert

3.



3. HARAX® Pg 13.5 / M20 – 4 contacts – is supplied only with solder termination.

4.



4. The nut must be tightened completely down so that the notches engage on the contact carrier.

The opening of the gland always requires a wrench.

Note: For reconnection cut off the used cable ends and repeat steps 1 to 4.



Identification	Part No.		Drawing	Dimensions in mm
	Male	Female		
<b>HARAX® M8-S</b>				
straight version, 3 poles for 0,14 - 0,34 mm <sup>2</sup>	<b>21 02 151 1305</b>			
straight version, 4 poles for 0,14 - 0,34 mm <sup>2</sup>	<b>21 02 151 1405</b>			
straight version, 3 poles for 0,08 - 0,14 mm <sup>2</sup>	<b>21 02 159 1305</b>			
straight version, 3 poles for 0,14 - 0,34 mm <sup>2</sup>		<b>21 02 151 2305</b>		
straight version, 4 poles for 0,14 - 0,34 mm <sup>2</sup>		<b>21 02 151 2405</b>		
			View mating side: 3 poles, male version	View mating side: 4 poles, male version





System cables with  
Han® M8 Circular connector

## Technical characteristics

### Han® M8 Circular connector, without PE

Rated voltage	max. 60 V AC/DC
Rated current/contact	max. 4 A
Locking	Screw locking M8x1, self securing
Recommended torque	0.4 Nm
Temperature range (dependant on connected conductor)	-25 °C ... +85 °C
Degree of protection	IP 67
Number of wires / wire gauge	3 x 0.25 mm <sup>2</sup>
Conductor insulation	PP (br, bl, sw)
Arrangement of insulated strands	32 x 0.1 mm
Sheath	PUR (UL, CSA)
Outer diameter	appr. 4.1 mm
Bending radius	10 x outer diameter
Temperature range (working and storage)	-5 °C ... + 80 °C

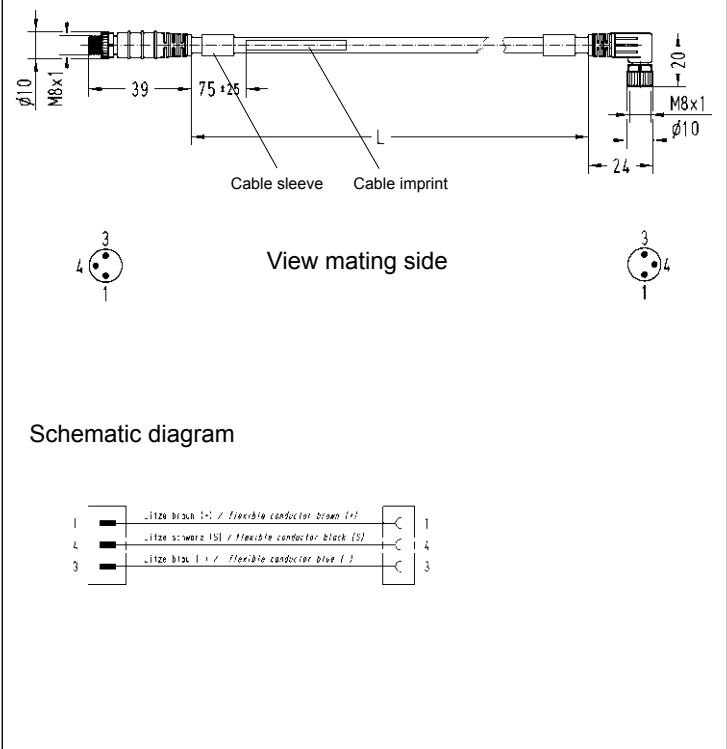


Identification	Part No.	Drawing	Dimensions in mm
----------------	----------	---------	------------------

**Han® M8 Circular connector**  
Female angled, Male straight

Length: 0.3 m  
0.6 m  
1.0 m  
1.5 m  
2.0 m

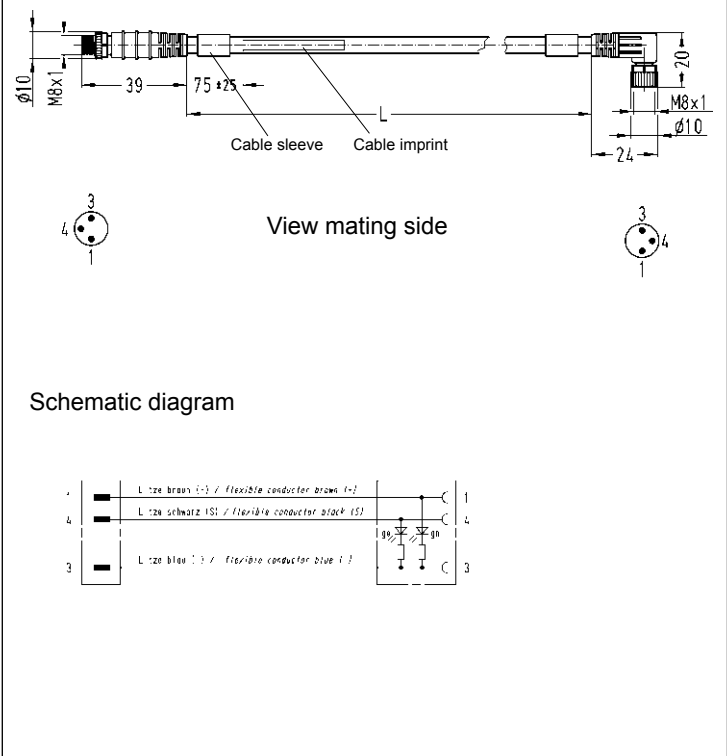
21 02 454 5301  
21 02 454 5302  
21 02 454 5303  
21 02 454 5304  
21 02 454 5305



**Han® M8 Circular connector**  
Female angled, with LED  
Male straight

Length: 0.3 m  
0.6 m  
1.0 m  
1.5 m  
2.0 m

21 02 454 7301  
21 02 454 7302  
21 02 454 7303  
21 02 454 7304  
21 02 454 7305



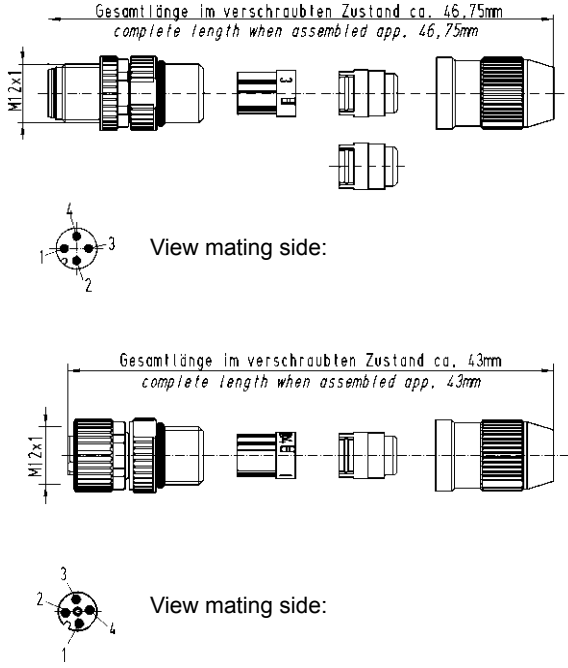


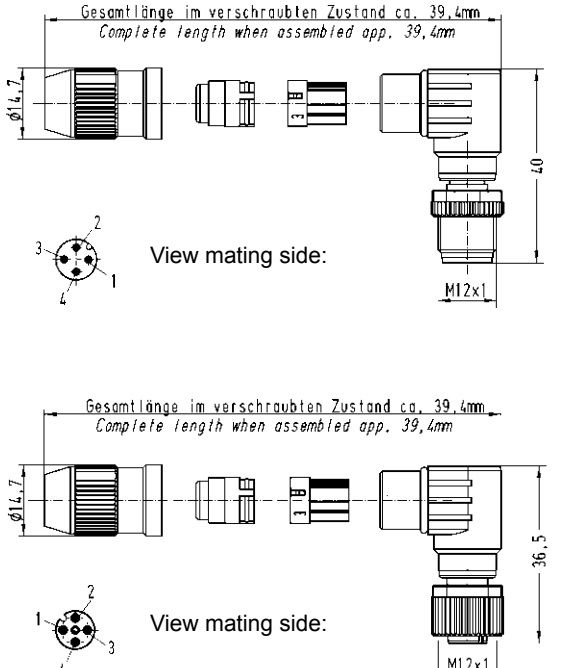


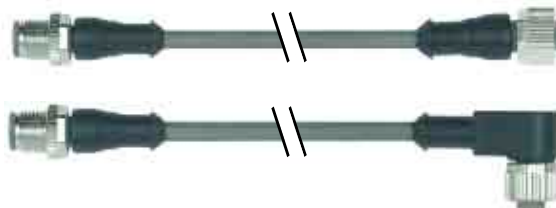
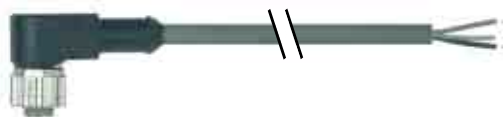


Identification	Part No.	Drawing	Dimensions in mm
<p><b>Han® M8 Circular connector</b> Female angled pre-assembled on one end</p> <p>Length: 1.5 m 3.0 m 5.0 m 7.5 m 10.0 m</p>	<p><b>21 02 554 4301</b> <b>21 02 554 4302</b> <b>21 02 554 4303</b> 21 02 554 4304 21 02 554 4305</p>	<p>Schematic diagram</p> <p>View mating side</p>	
<p><b>Han® M8 Circular connector</b> Female angled, with LED pre-assembled on one end</p> <p>Length: 1.5 m 3.0 m 5.0 m 7.5 m 10.0 m</p>	<p><b>21 02 554 7301</b> <b>21 02 554 7302</b> <b>21 02 554 7303</b> 21 02 554 7304 21 02 554 7305</p>	<p>Schematic diagram</p> <p>View mating side</p>	
<p><b>HARAX® M8 cable-Set</b> without LED</p> <p>Delivery range: Han® M8 connector with individually adaptable cable and <b>HARAX® M8-S</b></p> <p>Length: 1.5 m 3.0 m 5.0 m 7.5 m 10.0 m</p>	<p><b>21 82 554 4301</b> <b>21 82 554 4302</b> <b>21 82 554 4303</b> 21 82 554 4304 21 82 554 4305</p>	<p>HARAX® M8-S (21 02 151 1305) ca. 40,8</p> <p>View mating side</p>	
<p><b>HARAX® M8 cable-Set</b> with LED</p> <p>Delivery range: Han® M8 connector with individually adaptable cable and <b>HARAX® M8-S</b></p> <p>Length: 1.5 m 3.0 m 5.0 m 7.5 m 10.0 m</p>	<p><b>21 82 554 7301</b> <b>21 82 554 7302</b> <b>21 82 554 7303</b> 21 82 554 7304 21 82 554 7305</p>	<p>HARAX® M8-S (21 02 151 1305) ca. 40,8</p> <p>View mating side</p>	





Identification	Part No.		Drawing	Dimensions in mm
	Male	Female		
<b>HARAX® M12-S</b> straight version, 4 poles   	<b>21 03 111 1405</b>	<b>21 03 111 2405</b>		
<b>HARAX® M12</b> angled version, 4 poles   angled version, 4 poles 	<b>21 01 140 5081</b>	<b>21 01 140 5091</b>		



System cables with  
Han® M12 Circular connector, A-coded

## Technical characteristics

### Han® M12 Circular connector, without PE

Rated voltage	max. 250 V AC/DC, max. 30 V DC (with LED)
Rated current/contact	max. 4 A
Locking	Screw locking M12x1, self securing
Recommended torque	0.6 Nm
Temperature range (dependant on connected conductor)	- 25 °C ... +85 °C
Degree of protection	IP 67
Number of wires / wire gauge	4 x 0.34 mm <sup>2</sup>
Conductor insulation	PP (br, ws, bl, sw)
Arrangement of insulated strands	42 x 0.1 mm
Sheath	PUR (UL, CSA)
Outer diameter	appr. 4.7 mm
Bending radius	10 x outer diameter
Temperature range (working and storage)	-25 °C ... + 80 °C


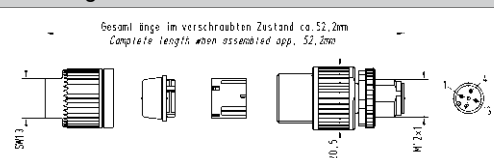

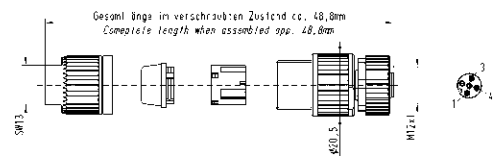
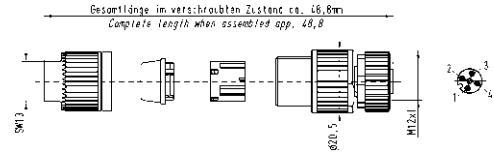

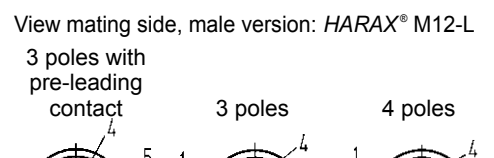

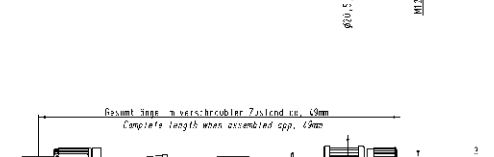

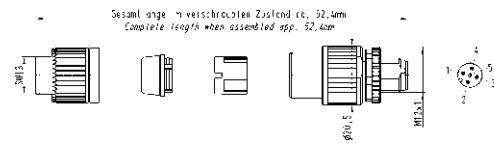
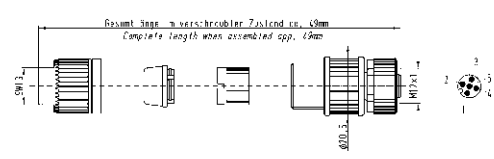

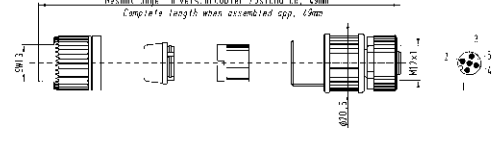


Identification	Part No.	Drawing	Dimensions in mm
<p><b>Han® M12 Circular connector</b> Female straight, Male straight</p> <p>Length:    0.3 m               0.6 m               1.0 m               1.5 m               2.0 m</p>	<p><b>21 03 415 2401</b> <b>21 03 415 2402</b> <b>21 03 415 2403</b> 21 03 415 2404 21 03 415 2405</p>	<p style="text-align: center;">View mating side</p> <p style="text-align: center;">Schematic diagram</p>	
<p><b>Han® M12 Circular connector</b> Female angled, Male straight</p> <p>Length:    0.3 m               0.6 m               1.0 m               1.5 m               2.0 m</p>	<p><b>21 03 415 5401</b> <b>21 03 415 5402</b> <b>21 03 415 5403</b> 21 03 415 5404 21 03 415 5405</p>	<p style="text-align: center;">View mating side</p> <p style="text-align: center;">Schematic diagram</p>	
<p><b>Han® M12 Circular connector</b> Female angled, with LED, Male straight</p> <p>Length:    0.3 m               0.6 m               1.0 m               1.5 m               2.0 m</p>	<p><b>21 03 415 7401</b> <b>21 03 415 7402</b> <b>21 03 415 7403</b> 21 03 415 7404 21 03 415 7405</p>	<p style="text-align: center;">View mating side</p> <p style="text-align: center;">Schematic diagram</p>	







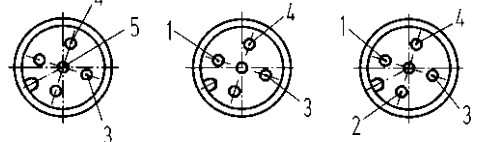
Identification	Part No.		Drawing	Dimensions in mm
	Male	Female		
<p><b>HARAX® M12-L</b></p> <p>3 poles, A-coded, with pre-leading contact (assignment 3, 4, 5)</p> <p>3 poles, A-coded (assignment 1, 3, 4)</p> <p>4 poles, A-coded (assignment 1, 2, 3, 4)</p> <p>4 poles, A-coded, to 2.6 mm core diameter (assignment 1, 2, 3, 4)</p> 	<p>21 03 212 1400</p> <p>21 03 212 1306</p> <p><b>21 03 212 1305</b></p> <p>21 03 212 1407</p>		 <p>Gesamtlänge im verschraubten Zustand ca. 52,2mm Complete length when assembled app. 52,2mm</p>  <p>Gesamtlänge im verschraubten Zustand ca. 52,2mm Complete length when assembled app. 52,2mm</p>  <p>Gesamtlänge im verschraubten Zustand ca. 48,8mm Complete length when assembled app. 48,8mm</p>  <p>Gesamtlänge im verschraubten Zustand ca. 48,8mm Complete length when assembled app. 48,8mm</p>	
<p>3 poles, A-coded (assignment 3, 4, 5)</p> <p>3 poles, A-coded (assignment 1, 3, 4)</p> <p>4 poles, A-coded (assignment 1, 2, 3, 4)</p> <p>4 poles, A-coded, to 2.6 mm core diameter (assignment 1, 2, 3, 4)</p> 		<p>21 03 212 2400</p> <p>21 03 212 2306</p> <p><b>21 03 212 2305</b></p> <p><b>21 03 212 2407</b></p>	 <p>Gesamtlänge im verschraubten Zustand ca. 52,2mm Complete length when assembled app. 52,2mm</p>  <p>Gesamtlänge im verschraubten Zustand ca. 52,2mm Complete length when assembled app. 52,2mm</p>  <p>Gesamtlänge im verschraubten Zustand ca. 49mm Complete length when assembled app. 49mm</p>	
<p>5 poles, A-coded, 0.25 - 0.34 mm<sup>2</sup>, AWG 24 - 22 Cable diameter: 4.7 - 6 mm</p> 	<p><b>21 03 271 1505</b></p>	<p><b>21 03 271 2505</b></p>	 <p>Gesamtlänge im verschraubten Zustand ca. 52,2mm Complete length when assembled app. 52,2mm</p>  <p>Gesamtlänge im verschraubten Zustand ca. 49mm Complete length when assembled app. 49mm</p>	
<p>5 poles, A-coded, 0.34 - 0.5 mm<sup>2</sup>, AWG 22 - 20 Cable diameter: 6 - 8 mm</p> 	<p><b>21 03 272 1505</b></p>	<p><b>21 03 272 2505</b></p>	 <p>Gesamtlänge im verschraubten Zustand ca. 49mm Complete length when assembled app. 49mm</p>	

View mating side, male version: HARAX® M12-L

3 poles with pre-leading contact

3 poles

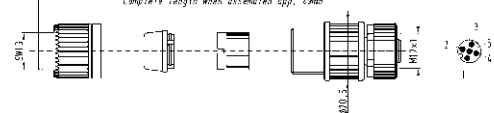
4 poles



Gesamtlänge im verschraubten Zustand ca. 52,2mm  
Complete length when assembled app. 52,2mm



Gesamtlänge im verschraubten Zustand ca. 49mm  
Complete length when assembled app. 49mm






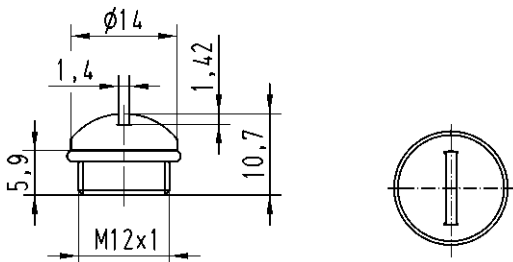





## Technical characteristics: Han® M12 panel feed-through

Degree of protection	IP 67 when mated and screwed
Rated current	max. 4 A (each contact)
Rated voltage	50 V
Mating cycles	max. 100
Limiting temperature	-25 °C ... +85 °C

Identification	Part No.	Drawing	Dimensions in mm
<p><b>Han® M12 panel feed-through</b> Male, A-coded, 50 cm conductors, 0.5 mm<sup>2</sup></p>	<b>21 03 311 1402</b>		
<p><b>Han® M12 panel feed-through</b> Female, A-coded, 50 cm conductors, 0.5 mm<sup>2</sup></p>	<b>21 03 311 2400</b>		
<p><b>Han® M12 panel feed-through</b> Male, A-coded, 50 cm conductors, 0.5 mm<sup>2</sup>, 5 poles</p>	<b>21 03 311 1501</b>		
<p><b>Han® M12 panel feed-through</b> Female, A-coded, 50 cm conductors, 0.5 mm<sup>2</sup>, 5 poles</p>	<b>21 03 311 2501</b>		

Identification	Part No.	Drawing	Dimensions in mm
<p><b>Seal M12</b> 2.9 - 4.0 mm 4 - 5.1 mm</p> 	<p>21 01 010 2011 21 01 010 2001</p>		
<p><b>Seal M12-L</b> 3 poles: 5.5 - 7.2 mm 4 + 5 poles: 6 - 8 mm</p> 	<p>21 01 010 2003 21 01 010 2007</p>		
<p><b>Cap M12</b></p> 	<p><b>21 01 000 0003</b></p>		
<p><b>Han® M8</b> dynamometric screwdriver</p> <p>for M12-S    SW 13</p> <p>for M12-L    SW 17</p>	<p>09 99 000 0382</p> <p>09 99 000 0384</p>		

# Circular connector M12 shielded, A-coded



Part No.

Identification

Male

Female

Drawing

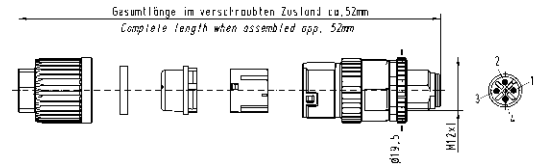
Dimensions in mm

## HARAX® M12-L, screened version

4 poles, A-coded  
0.14 - 0.34 mm<sup>2</sup> / AWG 26 - 22



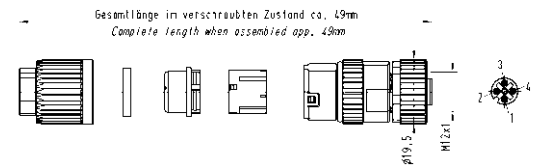
**21 03 221 1405**



4 poles, A-coded  
0.14 - 0.34 mm<sup>2</sup> / AWG 26 - 22

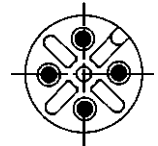


**21 03 221 2405**



View mating side, male version:  
HARAX® M12-L, screened version

4 poles  
A-coded

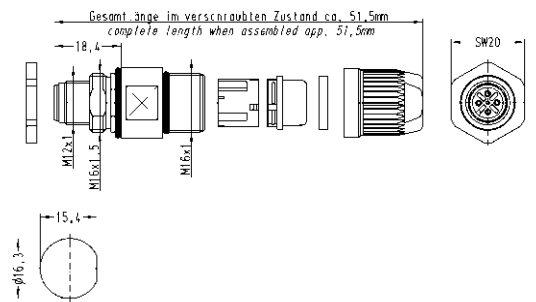


## HARAX® panel feed-through

4 poles, A-coded  
0.14 - 0.34 mm<sup>2</sup> / AWG 26 - 22  
5.5 - 7.2 mm



**21 03 321 1425**

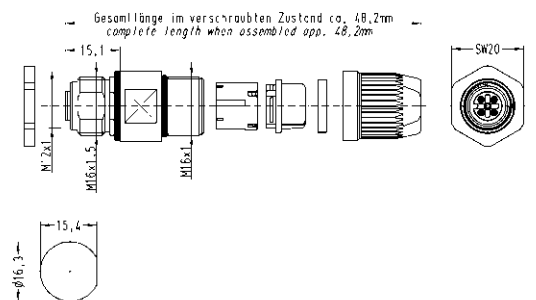


4 poles, A-coded  
0.14 - 0.34 mm<sup>2</sup> / AWG 26 - 22



5.5 - 7.2 mm

**21 03 321 2425**





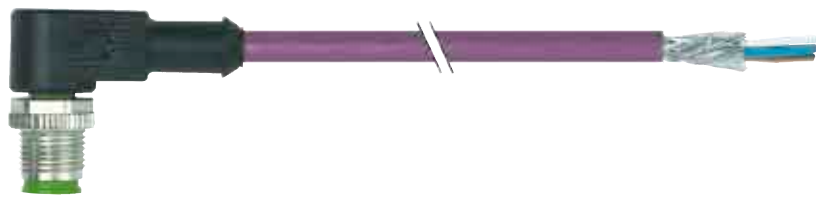




## Technical characteristics

Rated voltage	max. 125 V AC/ DC
Rated current/contact	max. 4 A
Locking	Screw locking M12 x 1 mm, self securing
Recommended torque	0.6 Nm
Temperature range (male) °C	-25 °C ... +85 °C (dependant on connected conductor)
Degree of protection	IP 67
Number of wires / wire gauge	4 x 0.64 mm <sup>2</sup>
Conductor insulation	PUR (rt, gn)
Arrangement of insulated strands	19 x 0.13 mm
Sheath	PUR (UL/CSA)
Outer diameter	appr. 7.8 mm
Bending radius	65 x outer diameter
Temperature range °C (applicate with fixed cable)	-30 °C ... + 80 °C

Identification	Part No.	Drawing
<p><b>Han® M12 Circular connector, Male, straight</b> pre-assembled on one end, useable as trailing cable</p> <p>Length:    1.5 m    <b>21 03 549 1301</b>                             3.0 m    <b>21 03 549 1302</b>                             5.0 m    <b>21 03 549 1303</b>                             7.5 m    <b>21 03 549 1304</b>                             10.0 m   <b>21 03 549 1305</b></p>		<p>Schematic diagram</p> <p>2 — green 4 — red shielding</p>
<p><b>Han® M12 Circular connector, Male, angled</b> pre-assembled on one end, useable as trailing cable</p> <p>Length:    1.5 m    <b>21 03 549 3301</b>                             3.0 m    <b>21 03 549 3302</b>                             5.0 m    <b>21 03 549 3303</b>                             7.5 m    <b>21 03 549 3304</b>                             10.0 m   <b>21 03 549 3305</b></p>		<p>Schematic diagram</p> <p>2 — green 4 — red shielding</p>



Identification

Part No.

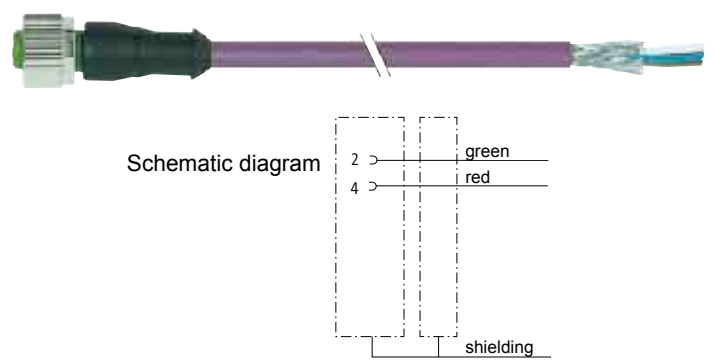
Drawing

Han® M12 Circular connector,  
Female, straight

pre-assembled on one end,  
useable as trailing cable

Length: 1.5 m  
3.0 m  
5.0 m  
7.5 m  
10.0 m

21 03 549 2301  
21 03 549 2302  
21 03 549 2303  
21 03 549 2304  
21 03 549 2305

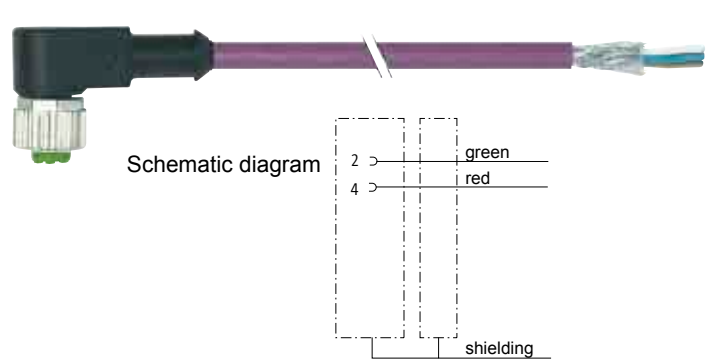


Han® M12 Circular connector,  
Female, angled

pre-assembled on one end,  
useable as trailing cable

Length: 1.5 m  
3.0 m  
5.0 m  
7.5 m  
10.0 m

21 03 549 4301  
21 03 549 4302  
21 03 549 4303  
21 03 549 4304  
21 03 549 4305

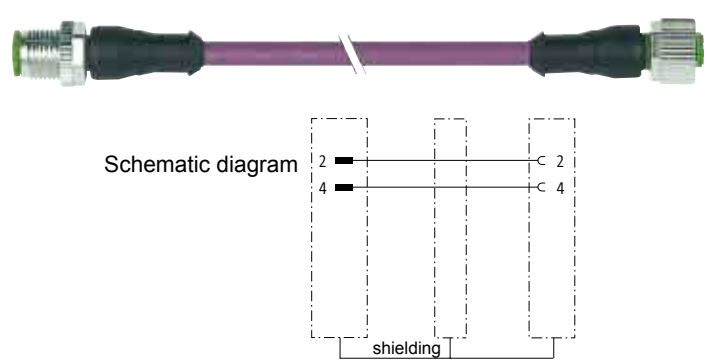


Han® M12 Circular connector,  
Male, straight  
Female, straight

pre-assembled on one end,  
useable as trailing cable

Length: 0.3 m  
0.6 m  
1.0 m  
1.5 m  
2.0 m

21 03 449 4301  
21 03 449 4302  
21 03 449 4303  
21 03 449 4304  
21 03 449 4305

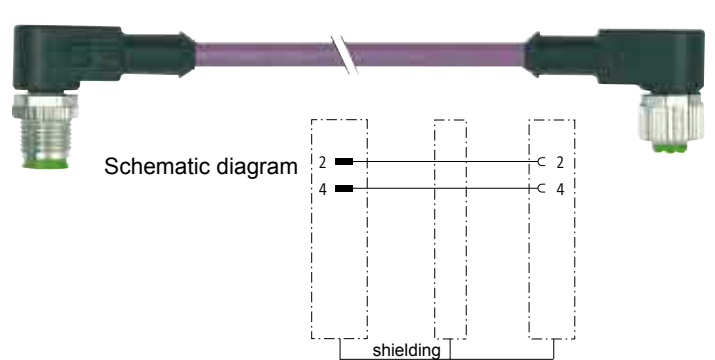


Han® M12 Circular connector,  
Male, angled  
Female, angled

pre-assembled on one end,  
useable as trailing cable

Length: 0.3 m  
0.6 m  
1.0 m  
1.5 m  
2.0 m


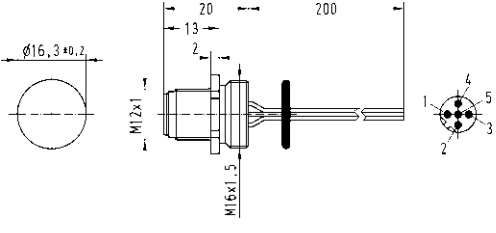

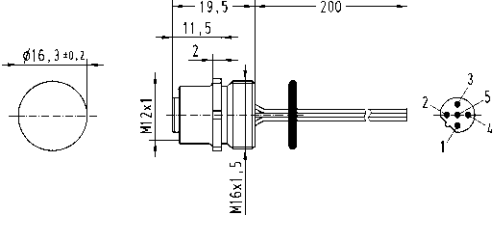

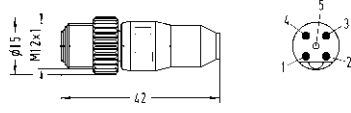

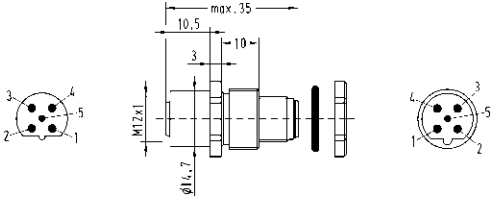
21 03 449 6301  
21 03 449 6302  
21 03 449 6303  
21 03 449 6304  
21 03 449 6305





## Technical characteristics: Han® M12 panel feed-through

Degree of protection	IP 67 in locked position
Rated current	max. 4 A (each contact)
Rated voltage	250 V AC/DC
Mating cycles	max. 100
Limiting temperatures	-25 °C ... +85 °C
Termination	solder, with pigtails (TPE insulation) assembled

Identification	Part No.		Drawing	Dimensions in mm
	Male	Female		
<p><b>Han® M12-panel feed-through</b> Male, B-coded, 20 cm conductor, 0.25 mm<sup>2</sup></p> 	<b>21 03 339 1301</b>			
<p><b>Han® M12-panel feed-through</b> Female, B-coded, 20 cm conductor, 0.25 mm<sup>2</sup></p> 		<b>21 03 339 2301</b>		
<p><b>Han® M12-male moving load</b> B-coded</p> 		21 03 030 1300		
<p><b>Han® M12-male/female panel feed-through</b> B-coded</p> 		21 03 330 1300		<p>Rated voltage      24 V AC/DC Thread                M16 x 1,5</p>

# Circular connector M12 shielded, D-coded



## Part No.

### Identification

### Male

### Female

### Drawing

### Dimensions in mm

**HARAX® M12-L, screened version**

4 poles, D-coded,  
0.14 - 0.34 mm<sup>2</sup>, AWG 26-22  
0.34 - 0.5 mm<sup>2</sup>, AWG 22-20



**21 03 281 1405**  
**21 03 282 1405**

4 poles, D-coded,  
0.14 - 0.34 mm<sup>2</sup>, AWG 26-22  
0.34 - 0.5 mm<sup>2</sup>, AWG 22-20



**21 03 281 2405**  
**21 03 282 2405**

**HARAX® panel feed-through**  
D-coded



5.5 - 7.2 mm

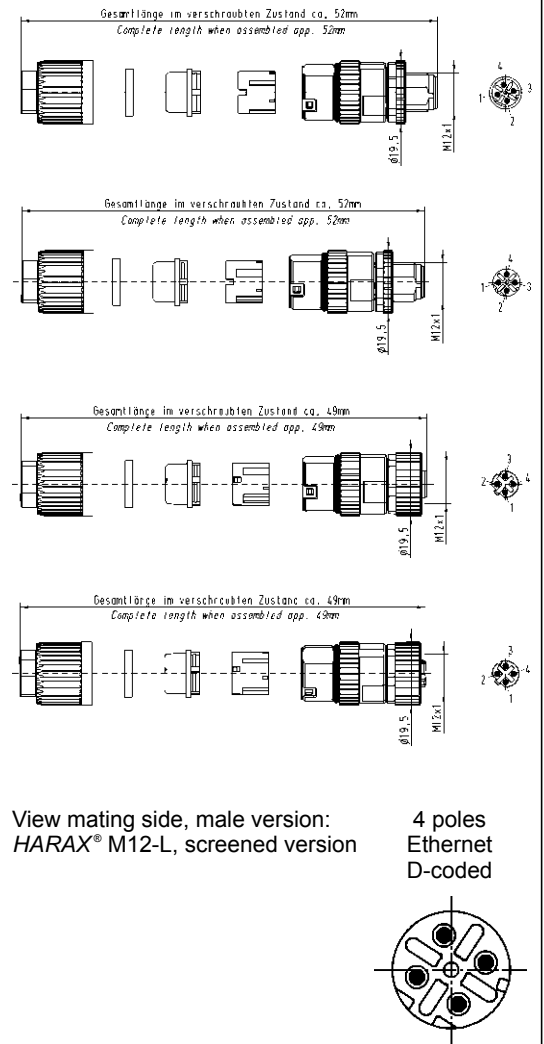
**21 03 381 1425**

D-coded



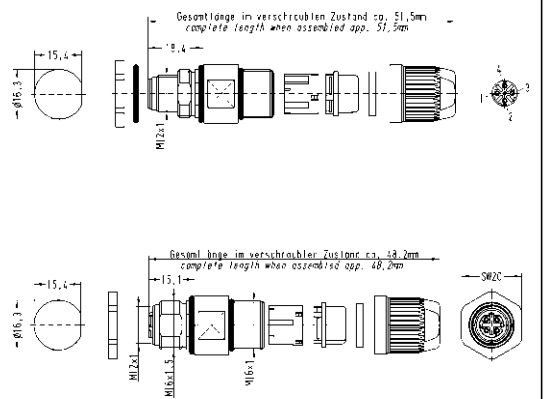
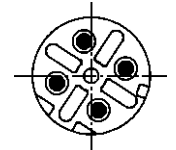
5.5 - 7.2 mm

**21 03 381 2425**



View mating side, male version:  
**HARAX® M12-L, screened version**

**4 poles**  
**Ethernet**  
**D-coded**



# Circular connector M12 shielded, D-coded



Identification	Male	Part No.	Female	Drawing	Dimensions in mm
----------------	------	----------	--------	---------	------------------

## Han® M12 Crimp

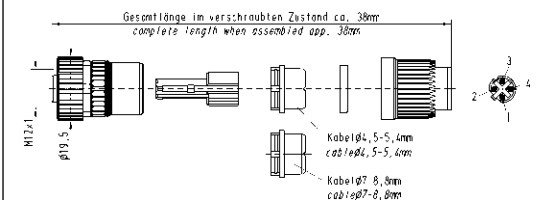
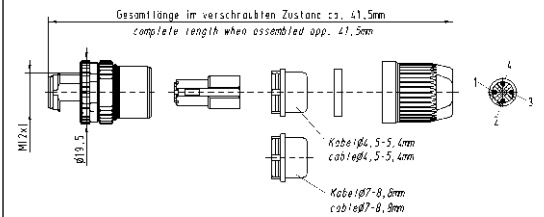
D-coded

5.5 - 7.2 mm / 7 - 8.8 mm

21 03 882 1405



21 03 882 2405

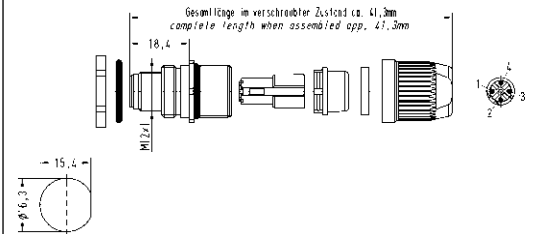


## Han® M12 panel feed-through Crimp

D-coded

5.5 - 7.2 / 7 - 8.8 mm

21 03 882 1425

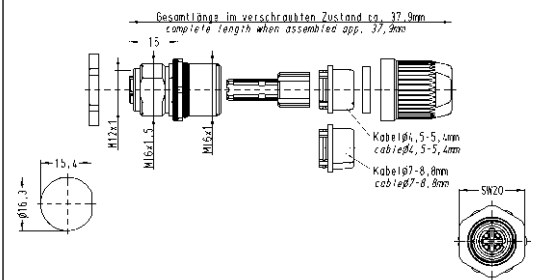


## Han® M12 panel feed-through Crimp

D-coded

5.5 - 7.2 / 7 - 8.8 mm

21 03 882 2425





## Technical characteristics

### Pre-assembled and tested system cables

for structured cabling of industrial Ethernet networks, based on Han® M12 Circular connectors, D-coded


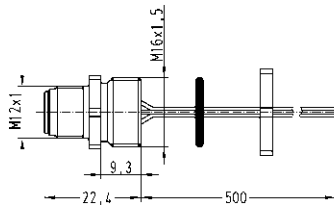


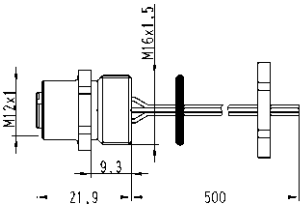


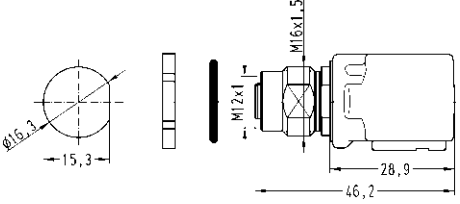
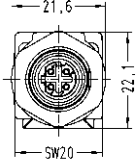

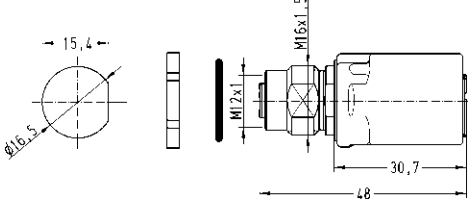
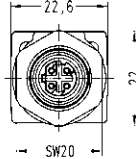

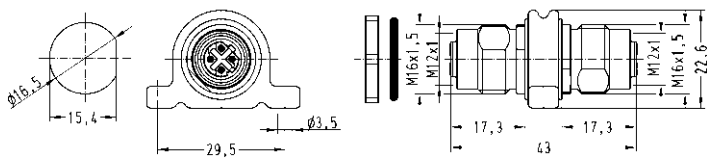
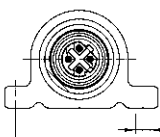
Cable type:	Shielded Twisted Pair Standard Cable
Mating interface:	M12 D-coded acc. to IEC 61 076-2-101
Transmission performance acc. to ISO/IEC 11801:2002:	Class D, 100% tested
Degree of protection	IP 65 / IP 67 (when mated)

### Pin assignment

Signal	Function	Conductor colour PROFINet®	Conductor colour EIA/TIA 568B	Contact assign- ment
TD+	Transmission Data+	Yellow	White/ Orange	1
TD-	Transmission Data-	Orange	Orange	3
RD+	Receiver Data+	White	White/Green	2
RD-	Receiver Data-	Blue	Green	4



Identification	Part No.	Drawing	Dimensions in mm
<p>2 x Han® M12 Circular connector, D-coded, straight</p> <p>Length: 1 m 3 m 5 m 10 m 15 m 25 m 40 m</p> <p>other length on request</p>	<p><b>21 03 483 1401</b> <b>21 03 483 1403</b> <b>21 03 483 1405</b> 21 03 483 1410 21 03 483 1415 21 03 483 1425 21 03 483 1440</p>	<p>cable: AWG 26 / 0.14 mm<sup>2</sup></p>	
<p>2 x Han® M12 Circular connector, D-coded, straight</p> <p>Length: 1 m 3 m 5 m 10 m 15 m 25 m 40 m</p> <p>other length on request</p>	<p><b>21 03 485 1401</b> <b>21 03 485 1403</b> <b>21 03 485 1405</b> 21 03 485 1410 21 03 485 1415 21 03 485 1425 21 03 485 1440</p>	<p>cable: AWG 22 / 0.34 mm<sup>2</sup></p>	
<p>1 x Han® M12 Circular connector, D-coded, straight</p> <p>Length: 1 m 3 m 5 m 10 m 25 m 40 m</p> <p>other length on request</p>	<p><b>21 03 583 1401</b> <b>21 03 583 1403</b> <b>21 03 583 1405</b> 21 03 583 1410 21 03 583 1425 21 03 583 1440</p>	<p>cable: AWG 26 / 0.14 mm<sup>2</sup></p>	
<p>1 x Han® M12 Circular connector, D-coded, straight</p> <p>Length: 1 m 3 m 5 m 10 m 25 m 40 m</p> <p>other length on request</p>	<p><b>21 03 585 1401</b> <b>21 03 585 1403</b> <b>21 03 585 1405</b> 21 03 585 1410 21 03 585 1425 21 03 585 1440</p>	<p>cable: AWG 22 / 0.34 mm<sup>2</sup></p>	

Identification	Part No.	Drawing	Dimensions in mm
<p><b>Han® M12 panel feed-through</b> Male, D-coded, 50 cm conductors, AWG 22, 4 poles</p> 	<p><b>21 03 371 1403</b></p>		
<p><b>Han® M12 panel feed-through</b> Female, D-coded, 50 cm conductors, AWG 22, 4 poles</p> 	<p><b>21 03 371 2403</b></p>		
<p><b>Han® M12-RJ45 panel feed-through</b> 4 poles, D-coded, angled</p> 	<p><b>21 03 381 4400</b></p>		
<p><b>Han® M12-RJ45 panel feed-through</b> 4 poles, D-coded, straight</p> 	<p><b>21 03 381 2400</b></p>		
<p><b>Han® M12 Gender Changer</b> 4 poles, D-coded</p> 	<p><b>21 03 381 6405</b></p>		

Identification

Part No.

Technical characteristics

Crimping tool

**09 99 000 0501**



Locator

**61 03 600 0023**

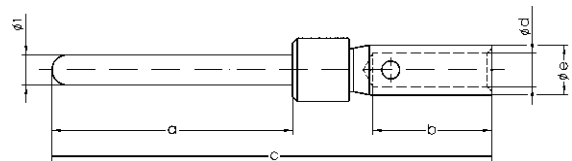


Single contacts

turned male contacts\*  
AWG 22-20 / 0.33-0.52  
AWG 26-22 / 0.13-0.33



**61 03 000 0073**  
**61 03 000 0094**

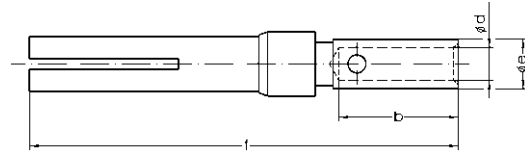


	a	b	c	d	e	f
AWG 22-20	8.10	4.0	14.8	1.12	1.66	14.4
AWG 26-22	8.10	4.0	14.8	0.90	1.66	14.4

turned female contacts\*  
AWG 22-20 / 0.33-0.52  
AWG 26-22 / 0.13-0.33



**61 03 000 0074**  
**61 03 000 0096**



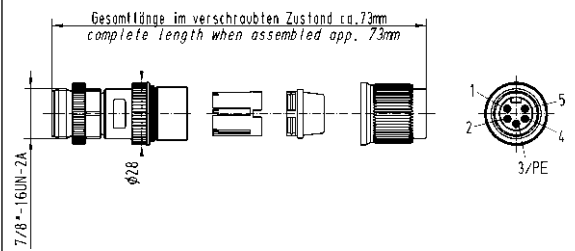


Identification	Part No.	Drawing	Dimensions in mm
----------------	----------	---------	------------------

**HARAX® 7/8" Male**



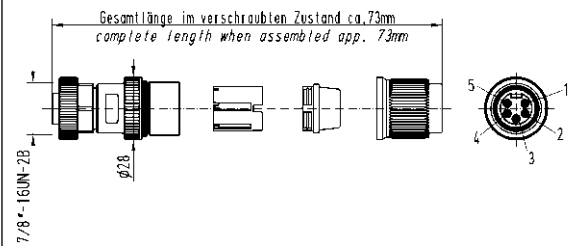
**21 04 116 1505**



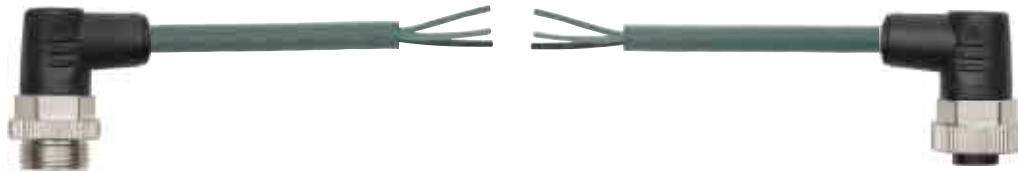
**HARAX® 7/8" Female**



**21 04 116 2505**







## Overmolded cordsets 7/8"


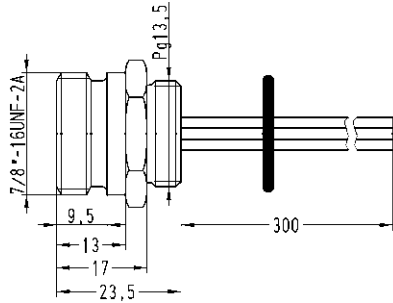
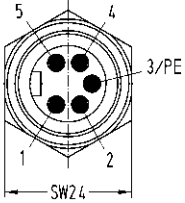

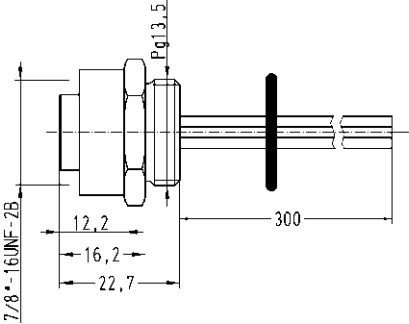
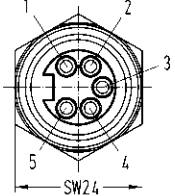

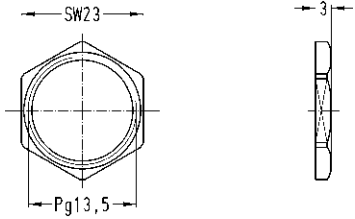

## Technical characteristics

Degree of protection	IP 67
Temperature range	
applies to moved cable	-20 °C ... +80 °C
cables permanently installed	-50 °C ... +80 °C
Rated current	max. 8 A every contact (+40 °C)
Rated voltage	230 / 400 V
Rated impulse voltage	3 kV
Pollution degree	3
Material group	Category I acc. to IEC 60664-1
Cable data	
Jacket material	PUR
Jacket colour	grey
Wire isolation	TPM
Wire colours	brown, white, blue, black, green/yellow
Wire gauge	5 x 1.5 mm <sup>2</sup>
Standards	UL / CSA



## Overmolded cordsets 7/8"

Identification	Part No.	Drawing	Dimensions in mm
<b>Overmolded cordsets 7/8"</b> Female straight 5 pin Length: 1.5 m 3.0 m 5.0 m 7.5 m 10.0 m	21 04 516 2501 21 04 516 2502 21 04 516 2503 21 04 516 2504 21 04 516 2505	<p>Schematic diagram</p> <p>View mating side</p>	
<b>Overmolded cordsets 7/8"</b> Female angled 5 pin Length: 1.5 m 3.0 m 5.0 m 7.5 m 10.0 m	21 04 516 4501 21 04 516 4502 21 04 516 4503 21 04 516 4504 21 04 516 4505	<p>Schematic diagram</p> <p>View mating side</p>	
<b>Overmolded cordsets 7/8"</b> Male-Female straight 5 pin Length: 0.3 m 0.6 m 1.0 m 1.5 m 2.0 m	21 04 416 1501 21 04 416 1502 21 04 416 1503 21 04 416 1504 21 04 416 1505	<p>Schematic diagram</p> <p>View mating side</p>	
<b>Overmolded cordsets 7/8"</b> Male-Female angled 5 pin Length: 0.3 m 0.6 m 1.0 m 1.5 m 2.0 m	21 04 416 3501 21 04 416 3502 21 04 416 3503 21 04 416 3504 21 04 416 3505	<p>Schematic diagram</p> <p>View mating side</p>	

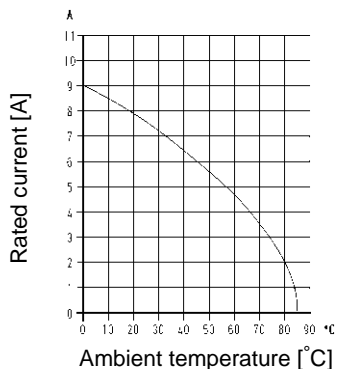
Identification	Part No.	Drawing	Dimensions in mm
<p>Han® 7/8" panel feed-through 30 cm conductors, 0.75 mm<sup>2</sup>, 5 poles</p> <p style="text-align: right;">Male</p> 	<p><b>21 04 316 1505</b></p>		
<p>Han® 7/8" panel feed-through 30 cm conductors, 0.75 mm<sup>2</sup>, 5 poles</p> <p style="text-align: right;">Female</p> 	<p><b>21 04 316 2505</b></p>		
<p>Lock nut Pg 13.5 nickel plated</p> 	<p>21 01 000 0020</p>		
<p>Han® 7/8" dynamometric screwdriver</p> <p style="text-align: right;">for 7/8" SW 23</p>	<p>09 99 000 0395</p>		

Technical characteristics: Han® M12 pcb

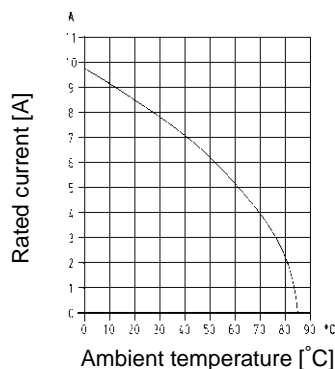
Degree of protection	IP 20
Rated current	max. 4 A (dependant on pcb layout)
Rated voltage	50 V
mating cycles	max. 100
Limiting temperatures	- 25 °C / + 85 °C
Temperature during connection	- 5 °C / + 50 °C

**Current carrying capacity** The current carrying capacity is limited by maximum temperature of materials for inserts and contacts including terminals. The current capacity-curve is valid for continuous, not interruptet current-loaded contacts of connectors when simultaneous power on all contacts is given, without exceeding the maximum temperature.  
Control and test procedures according to DIN IEC 60512-5.

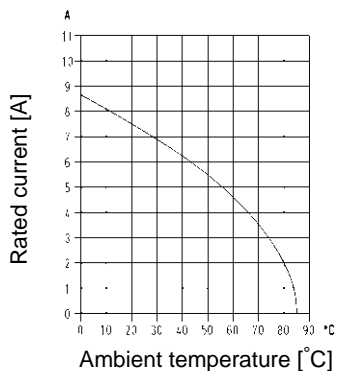
M12, A-Kodierung, straight, male, 4 poles  
wire gauge 0.5 mm<sup>2</sup>



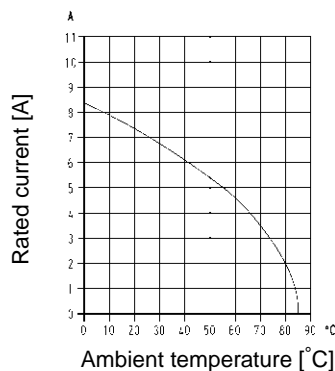
M12, A-Kodierung, straight, female, 4 poles  
wire gauge 0.75 mm<sup>2</sup>



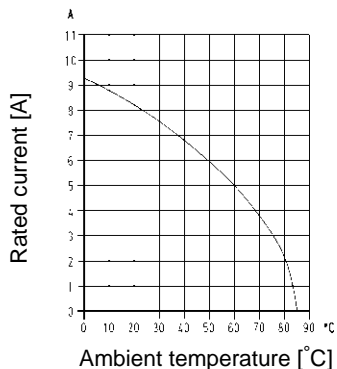
M12, A-Kodierung, straight, female, 5 poles  
wire gauge 0.5 mm<sup>2</sup>



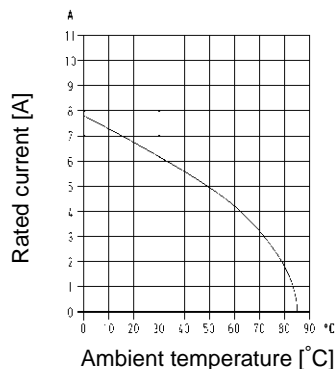
M12, A-Kodierung, straight, male, 5 poles  
wire gauge 0.5 mm<sup>2</sup>



M12, D-Kodierung, straight, female, 4 poles  
wire gauge 0.5 mm<sup>2</sup>


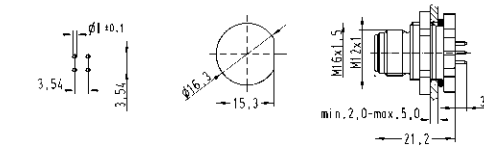
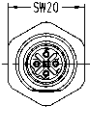

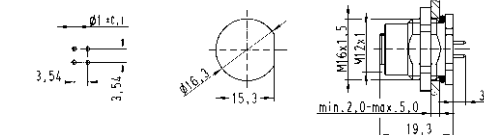
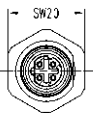

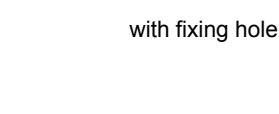
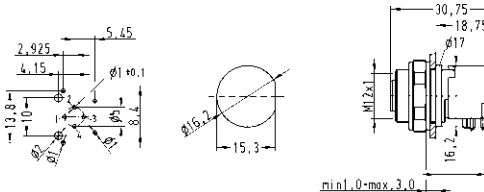
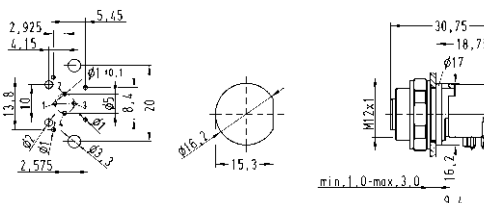
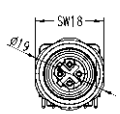


M12, D-Kodierung, gewinkelt, female, 4 poles  
wire gauge AWG 22







Identification	Part No.	Drawing	Dimensions in mm
<p><b>Han® M12</b> Male, D-coded, straight, 4 poles</p> 	<p><b>21 03 371 1400</b></p>		
<p><b>Han® M12</b> Female, D-coded, straight, 4 poles</p> 	<p><b>21 03 371 2415</b></p>		
<p><b>Han® M12</b> Female, D-coded, angled, 4 poles</p> <p>without fixing hole</p>  <p>with fixing hole</p> 	<p><b>21 03 381 4410</b></p> <p><b>21 03 381 4412</b></p>	 	 






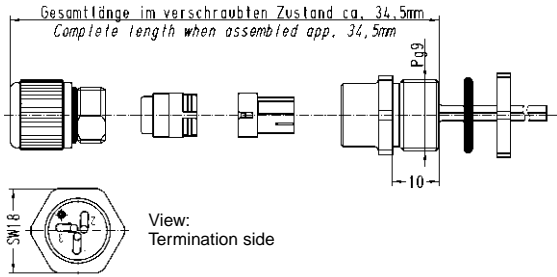

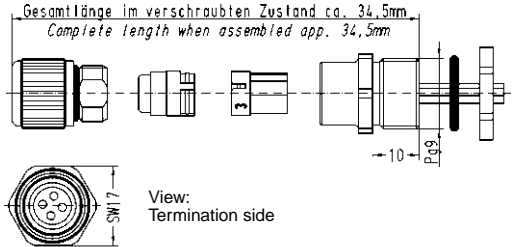

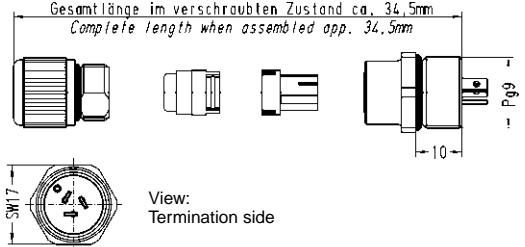
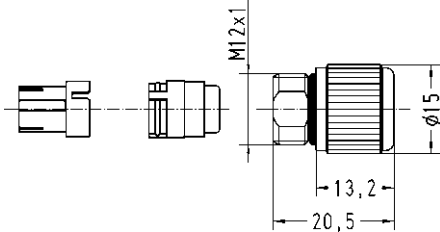
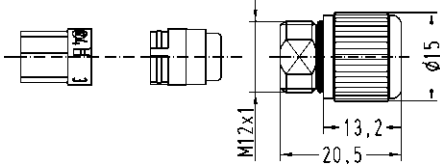
## Technical characteristics: HARAX® Pg 9 panel feed-through

Rated voltage	32 V
Rated current	4 A
Wire gauge	0.25 - 0.5 mm <sup>2</sup> / 24/7 AWG - 22 AWG
Diameter of individual strands	≥ 0.1 mm
Conductor insulation material	PVC
Conductor diameter	1.2 - 1.6 mm
Cable diameter	4.0 - 5.1 mm
Working temperature	- 25 °C ... + 85 °C
Temperature during connection	- 5 °C ... + 50 °C
Degree of protection	IP 67
Termination cycles with the same cross section	10



# HARAX® Pg 9 panel feed-through



Identification	Part No.	Drawing	Dimensions in mm
<p><b>HARAX® Pg 9 panel feed-through</b> 3 contacts, with pre-assembled 0.5 m / 0.5 mm<sup>2</sup> pigtail cable</p> 	21 01 130 4241	 <p>Gesamtlänge im verschraubten Zustand ca. 34,5mm Complete length when assembled app. 34,5mm</p> <p>View: Termination side</p>	
<p><b>HARAX® Pg 9 panel feed-through</b> 4 contacts, with pre-assembled 0.5 m / 0.5 mm<sup>2</sup> pigtail cable</p> 	21 01 140 4341	 <p>Gesamtlänge im verschraubten Zustand ca. 34,5mm Complete length when assembled app. 34,5mm</p> <p>View: Termination side</p>	
<p><b>HARAX® Pg 9 panel feed-through</b> 3 contacts with faston blades</p> 	21 01 130 4011	 <p>Gesamtlänge im verschraubten Zustand ca. 34,5mm Complete length when assembled app. 34,5mm</p> <p>View: Termination side</p>	
<p><b>Termination element M12 HARAX® 3 contacts</b> Screw cap, splice ring, seal</p>	21 01 010 0001	 <p>M12x1</p> <p>13,2</p> <p>20,5</p> <p>Ø15</p>	
<p><b>Termination element M12 HARAX® 4 contacts</b> Screw cap, splice ring, seal</p>	21 01 010 0006	 <p>M12x1</p> <p>13,2</p> <p>20,5</p> <p>Ø15</p>	

## Technical characteristics

Specifications	IEC 60352-4 DIN 61984	
Approval		
<b>Construction type</b>	<b>Pg 13,5 3 poles</b>	<b>Pg 13,5 / M20 4 poles</b>
Working voltage	250 V 4 kV 3 with faston terminals with insulation cap	230/400 V 4 kV 3
acc. to UL/CSA	600 V	600 V
Working current (see current carrying capacity)	16 A	16 A
Testing voltage	4 kV (1.2/50)	4 kV (1.2/50)
Conductor cross section	0.75 - 1.5 mm <sup>2</sup>	0.75 - 1.5 mm <sup>2</sup>
Diameter of individual strands	≥ 0.2 mm	≥ 0.2 mm
Outer cable diameter	6.0 - 9.0 mm	6.0 - 9.0 mm
Termination cycles with the same cross section	10	10
Limiting temperature	- 25 / + 85 °C	- 25 / + 85 °C
Temperature during connection	- 5 ... + 50 °C	- 5 ... + 50 °C
Degree of protection	IP 67	IP 67
Conductor insulation material	PVC	PVC
Max. tightening torque	8 Nm	8 Nm

### Current carrying capacity

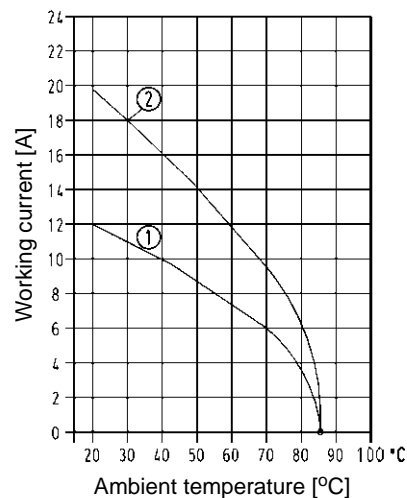
The current carrying capacity is limited by maximum temperature of materials for inserts and contacts including terminals. The current capacity-curve is valid for continuous, not interrupted current-loaded contacts of connectors when simultaneous power on all contacts is given, without exceeding the maximum temperature.

Control and test procedures according to DIN IEC 60512-3.

### Pg 13,5 3 contacts

1 = wire gauge  
0.75 mm<sup>2</sup>

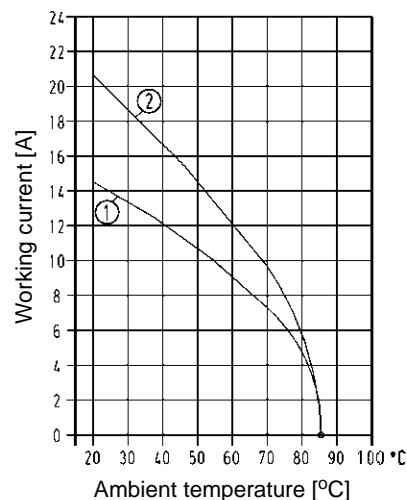
2 = wire gauge  
1.5 mm<sup>2</sup>



### Pg 13,5 / M20 4 contacts

1 = wire gauge  
0.75 mm<sup>2</sup>

2 = wire gauge  
1.5 mm<sup>2</sup>



# HARAX® Pg 13.5 / M20 panel feed-through




Identification	Part No.	Drawing	Dimensions in mm
HARAX® Pg 13.5 / 3 contacts with faston blades	21 01 130 1013		
HARAX® Pg 13.5 / 3 contacts with solder termination	21 01 130 1023		
HARAX® Pg 13.5 / 3 contacts with pre-assembled pigtail cable, l = 500 mm, 1.5 mm <sup>2</sup>	21 01 130 1223		
HARAX® Pg 13.5 / 2 + PE with faston blades	21 01 130 3013		
HARAX® Pg 13.5 / 2 + PE with solder termination	21 01 130 3023		
HARAX® Pg 13.5 / 2 + PE with pre-assembled pigtail cable, l = 500 mm, 1.5 mm <sup>2</sup>	21 01 130 3233		
HARAX® Pg 13.5 / 4 contacts with solder termination	21 01 140 1023		
HARAX® Pg 13.5 / 3 + PE with solder termination	21 01 140 3023		
HARAX® Pg 13.5 / 4 contacts with pre-assembled strand, l = 500 mm, 1.5 mm <sup>2</sup>	21 01 140 1323		
HARAX® Pg 13.5 / 3 + PE with pre-assembled strand, l = 500 mm, 1.5 mm <sup>2</sup>	21 01 140 3333		
HARAX® M20 / 4 contacts with solder termination	21 01 141 1023		
HARAX® M20 / 3 + PE with solder termination	21 01 141 3023		
HARAX® M20 / 4 contacts with pre-assembled strand, l = 500 mm, 1.5 mm <sup>2</sup>	21 01 141 1323		
HARAX® M20 / 3 + PE with pre-assembled strand, l = 500 mm, 1.5 mm <sup>2</sup>	21 01 141 3333		

Other length on request

Stock items in bold type

Please send me further information:

CD-Rom **HARKIS®**    
DVD **HARKIS®**



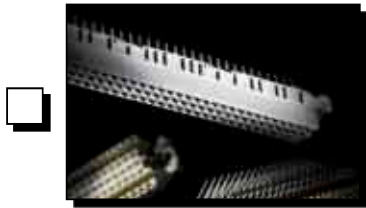
**Interface Connectors**



**Telecom Outdoor Solutions**



**Industrial Connectors Han®**



**Connectors DIN 41612**



**Ethernet Network Solutions Automation IT**



**Coaxial and Metric Connectors**



**Application brochure**



**TCA Connectors**



**Device Connectivity DeviceCon**



**Backplanes and Integrated Systems**

Sender:

Company: \_\_\_\_\_

Street: \_\_\_\_\_

Department: \_\_\_\_\_

Postcode/Town: \_\_\_\_\_

Name: \_\_\_\_\_

Country: \_\_\_\_\_

Prenome: \_\_\_\_\_

Phone: \_\_\_\_\_

Function: \_\_\_\_\_

Fax: \_\_\_\_\_

**Please send it by post or fax to your local HARTING representatives (see page addresses) or visit us under [www.HARTING.com](http://www.HARTING.com).**

E-Mail: \_\_\_\_\_

## Production plants – worldwide



Espelkamp / Germany – Plant 1



Espelkamp / Germany – Plant 2



Espelkamp / Germany – Plant 3



Espelkamp / Germany – Plant 4



Espelkamp / Germany – Plant 5

## Sales partner – worldwide



### **Argentina**

Condelectric S.A.  
Hipólito Yrigoyen 2591  
(B1640HFY) Martínez, Buenos Aires  
Phone + Fax +54 11 4836-1053  
E-Mail: [info@condelectric.com.ar](mailto:info@condelectric.com.ar)

### **Canada**

Chartwell Electronics Inc.  
140 Duffield Drive  
Markham, Ontario L6G 1B5  
Phone 905-513-7100  
Toll Free 877-513-7769  
Fax 905-513-7101  
Internet: [www.chartwell.ca](http://www.chartwell.ca)

### **Denmark**

Knud Wexøe A/S  
Skaettekaeret 11, P.O. Box 152  
DK-2840 Holte  
Phone +4545465800  
Fax +4545465801  
E-Mail: [wexoe@wexoe.dk](mailto:wexoe@wexoe.dk)  
Internet: [www.wexoe.dk](http://www.wexoe.dk)



Zhuhai / China



Northampton / Great Britain



Sibiu / Romania

### **Estonia**

SKS Tehnika OÜ  
Liimi 1, EE-10621 Tallinn  
Phone +372 699 0171  
Fax +372 699 0170  
E-Mail: [tehnika@sk.fi](mailto:tehnika@sk.fi)  
Internet: [www.sks.fi](http://www.sks.fi)

### **Finland**

SKS Automaatio Oy  
Martinkyläntie 50, FI-01720 Vantaa  
Phone +358 (0) 20 764 61  
Fax +358 (0) 20 764 6820  
E-Mail: [automaatio@sk.fi](mailto:automaatio@sk.fi)  
Internet: [www.sks.fi](http://www.sks.fi)

### **Island**

Smith & Norland, Nóatún 4  
IS – 105 Reykjavík  
Phone +354 520 3000  
Fax +354 520 3011  
E-Mail: [olaf@sminor.is](mailto:olaf@sminor.is)  
Internet: [www.sminor.is](http://www.sminor.is)

### **Israel**

COMTEL  
Israel Electronics Solutions Ltd.  
Bet Hapamon, 20 Hataas st.,  
P.O.Box 66, Kefar-Saba 44425  
Phone +972-9-7677240  
Fax +972-9-7677243  
E-Mail: [sales@comtel.co.il](mailto:sales@comtel.co.il)  
Internet: [www.comtel.co.il](http://www.comtel.co.il)



Biel / Switzerland



Elgin / USA

### **South Africa**

HellermannTyton Pty Ltd.  
Private Bag X158 Rivonia 2128  
34 Milky Way Avenue  
Linbro Business Park 2065  
Johannesburg, South Africa  
Phone +27(0)11879-6600  
Fax +27(0)11879-6606  
E-Mail: sales.jhb@hellermann.co.za

### **Turkey**

Gökhan Elektrik San. Tic. Ltd. Sti.  
Perpa Elektrikçiler Is Merkezi A Blok  
Kat:7-8-9 No.694  
TR – 80270 Okmeydani/Istanbul  
Phone +90(212) 2213236 (pbx)  
Fax +90(212) 2213240  
E-Mail:gokhan@gokhanelektrik.com.tr  
Internet: www.gokhanelektrik.com.tr

## Subsidiary companies – worldwide



### **Australia**

HARTING Pty Ltd.  
Suite 11/2 Enterprise Drive  
Bundoora 3083, Victoria  
Phone +61 (3) 9466 7088  
Fax +61 (3) 9466 7099

### **Austria**

HARTING Ges. m. b. H.  
Deutschstraße 19, A-1230 Wien  
Phone +431/6162121  
Fax +431/6162121-21  
E-Mail: at@HARTING.com

### **Belgium**

HARTING N.V./S.A.  
Z.3 Doornveld 23, B-1731 Zellik  
Phone +322/4660190  
Fax +322/4667855  
E-Mail: be@HARTING.com

### **Brazil**

HARTING Ltda.  
Av. Dr. Lino de Moraes  
Pq. Jabaquara, 255  
CEP 04360-001 –  
São Paulo – SP – Brazil  
Phone +5511/5035-0073  
Fax +5511/5034-4743  
E-Mail: br@HARTING.com  
Internet: www.HARTING.com.br

### **China**

Zhuhai HARTING Limited  
Shanghai branch  
Room 5403, 300 Huaihai Zhong Road  
Hong Kong New World Tower  
Luan District, P.R.C  
Shanghai 200021, China  
Phone +86 21 – 63 86 22 00  
Fax +86 21 – 63 86 86 36  
E-Mail: cn@HARTING.com

### **Czech Republic**

HARTING spol. s.r.o.  
Mlýnská 2, 16000 Praha 6  
Phone +420 220 380 460  
Fax +420 220 380 461  
E-Mail: cz@HARTING.com  
Internet: www.HARTING.cz

### **Finland**

HARTING Oy  
Teknobulevardi 3-5, PL 35  
FI-01530 Vantaa  
Phone +358 9 350 873 00  
Fax +358 9 350 873 20  
E-Mail: fi@HARTING.com

### **France**

HARTING France  
181 avenue des Nations  
Paris Nord 2  
BP 66058 Tremblay en France  
F-95972 Roissy  
Charles de Gaulle Cédex  
Phone +33149383400  
Fax +33148632306  
E-Mail: fr@HARTING.com

### **Germany**

HARTING Deutschland GmbH & Co. KG  
Postfach 2451, D-32381 Minden  
Simeonscarré 1, D-32427 Minden  
Phone (0571) 8896-0  
Fax (0571) 8896-282  
E-Mail: de@HARTING.com  
Internet: www.HARTING.com

### **Office Germany**

HARTING Deutschland GmbH & Co. KG  
Blankenauer Straße 99  
D-09113 Chemnitz  
Phone +49 0371 429211  
Fax +49 0371 429222  
E-Mail: de.sales@HARTING.com

### **Great Britain**

HARTING Ltd., Caswell Road  
Brackmills Industrial Estate  
GB-Northampton, NN4 7PW  
Phone +441604/766686, 827500  
Fax +441604/706777  
E-Mail: gb@HARTING.com  
Internet: www.HARTING.co.uk

### **Hong Kong**

HARTING (HK) Limited  
Regional Office Asia Pacific  
3512 Metroplaza Tower 1  
223 Hing Fong Road  
Kwai Fong, N. T., Hong Kong  
Phone +852/2423-7338  
Fax +852/2480-4378  
E-Mail: ap@HARTING.com  
Internet: www.HARTING.com.hk

### **Hungary**

HARTING Magyarországi Kft.  
1119 Budapest, Fehérvári út 89-95.  
II. emelet 217/A.  
Phone +36-1-205 3464  
Fax +36-1-205 3465  
E-Mail: hu@HARTING.com  
Internet: www.HARTING.hu

### **India**

HARTING India Private Limited  
No. D, 4th Floor, 'Doshi Towers'  
No. 156 Poonamallee High Road,  
Kilpauk, Chennai 600 010,  
Tamil Nadu, Chennai  
Phone +91-44-4356 0415/6  
Fax +91-44-4356 0417  
E-Mail: in@HARTING.com  
Internet: www.HARTING.com

### **Italy**

HARTING SpA  
Via Dell' Industria 7  
I-20090 Vimodrone (Milano)  
Phone +3902/250801  
Fax +3902/2650597  
E-Mail: it@HARTING.com

## Subsidiary companies – worldwide



### **Japan**

HARTING K. K.  
Yusen Shin-Yokohama 1 Chome Bldg.,  
2F, 1-7-9, Shin-Yokohama  
Kohoku-ku, Yokohama, 222-0033 Japan  
Phone +81 45 476 3456  
Fax +81 45 476 3466  
E-Mail: [jp@HARTING.com](mailto:jp@HARTING.com)  
Internet: [www.HARTING.co.jp](http://www.HARTING.co.jp)

### **Korea**

HARTING Korea Limited  
#308 Leaders Bldg., 342-1, Yatap-dong  
Bundang-gu, Sunnam-City, Kyunggi-do  
463-828, Korea  
Phone +82-31-781-4615  
Fax +82-31-781-4616  
E-Mail: [kr@HARTING.com](mailto:kr@HARTING.com)

### **Netherlands**

HARTING B.V.  
Larenweg 44  
NL-5234 KA 's-Hertogenbosch  
Postbus 3526  
NL-5203 DM 's-Hertogenbosch  
Phone +3173/6410404  
Fax +3173/6440699  
E-Mail: [nl@HARTING.com](mailto:nl@HARTING.com)

### **Norway**

HARTING A/S  
Østensjøveien 36, N-0667 Oslo  
Phone +4722/700555  
Fax +4722/700570  
E-Mail: [no@HARTING.com](mailto:no@HARTING.com)

### **Poland**

HARTING Polska Sp. z o. o.  
ul. Kamieńskiego 201-219  
51-126 Wrocław  
Phone +48 71-352 81 71  
Phone +48 71-352 81 74  
Fax +48 71-320 74 44  
E-Mail: [pl@HARTING.com](mailto:pl@HARTING.com)  
Internet: [www.HARTING.pl](http://www.HARTING.pl)

### **Portugal**

HARTING Iberia, S. A.  
Avda. Josep Tarradellas, 20-30, 4o 6a  
E-08029 Barcelona  
Phone +351.219.673.177  
Fax +351.219.678.457  
E-Mail: [es@HARTING.com](mailto:es@HARTING.com)

### **Russia**

HARTING ZAO, ul. Tobolskaja 12  
Saint Petersburg, 194044 Russia  
Phone +7/812/3276477  
Fax +7/812/3276478  
E-Mail: [ru@HARTING.com](mailto:ru@HARTING.com)  
Internet: [www.HARTING.ru](http://www.HARTING.ru)

### **Singapore**

HARTING Singapore Pte Ltd.  
25 International Business Park  
#02-06 German Centre  
Singapore 609916  
Phone +6562255285, Fax +6562259947  
E-Mail: [sg@HARTING.com](mailto:sg@HARTING.com)

### **Spain**

HARTING Iberia S.A.  
Josep Tarradellas 20-30 4o 6a  
E-08029 Barcelona  
Phone +34 933 638 475  
Fax +34 934 199 585  
E-Mail: [es@HARTING.com](mailto:es@HARTING.com)

### **Sweden**

HARTING AB  
Gustavslundsvägen 141 B 4tr  
167 51 Bromma  
Phone +468/4457171  
Fax +468/4457170  
E-Mail: [se@HARTING.com](mailto:se@HARTING.com)

### **Switzerland**

HARTING AG  
Industriestrasse 26  
CH-8604 Volketswil  
Phone +4144 9082060  
Fax +4144 9082069  
E-Mail: [ch@HARTING.com](mailto:ch@HARTING.com)

### **Taiwan**

HARTING R.O.C. Limited  
Room 1, 5th Floor,  
No. 495 GuangFu South Road  
Taiwan – Taipei 110  
Phone +886 02-2758-6177  
Fax +886 02-2758-7177  
E-Mail: [tw@HARTING.com](mailto:tw@HARTING.com)  
Internet: [www.HARTING.com.tw](http://www.HARTING.com.tw)

### **USA**

HARTING Inc. of North America  
1370 Bowes Road  
Elgin, Illinois 60123  
Phone +1 (877) 741-1500 (toll free)  
Fax +1 (866) 278-0307 (Inside Sales)  
Fax +1 (847) 717-9430 (Sales and Marketing)  
E-Mail: [us@HARTING.com](mailto:us@HARTING.com)  
Internet: [www.HARTING-USA.com](http://www.HARTING-USA.com)

### **Eastern-Europe**

HARTING Eastern Europe GmbH  
Bamberger Straße 7, D-01187 Dresden  
Phone +49 351 / 4361760  
Fax +49 351 / 4361770  
E-Mail: [Eastern.Europe@HARTING.com](mailto:Eastern.Europe@HARTING.com)

## Distributor – Switzerland



Distrelec AG  
Grabenstrasse 6  
CH-8606 Nänikon  
Phone +41 1 944 99 11  
Fax +41 1 944 99 88  
E-Mail: [info@distrelec.com](mailto:info@distrelec.com)  
Internet: [www.distrelec.com](http://www.distrelec.com)

## Distributors – worldwide



### **Farnell InOne**

[www.farnellinone.com](http://www.farnellinone.com);  
in US: Newark InOne:  
[www.newarkinone.com](http://www.newarkinone.com)

### **RS Components**

[www.rs-components.com](http://www.rs-components.com);  
in US: Allied Electronics:  
[www.alliedelec.com](http://www.alliedelec.com)

## Other countries



HARTING Electric GmbH & Co. KG  
P.O. Box 1473, D-32328 Espelkamp  
Phone +495772/47-97100  
Fax + 495772/47-495  
E-Mail: [electric@HARTING.com](mailto:electric@HARTING.com)

## Global Business Unit Electric



HARTING Electric GmbH & Co. KG  
P.O. Box 14 73  
D-32328 Espelkamp  
Phone +49 57 72 / 47-97 100  
Fax +49 57 72 / 47-4 95  
E-Mail: [electric@HARTING.com](mailto:electric@HARTING.com)  
Internet: [www.HARTING.com](http://www.HARTING.com)



**Pushing Performance**

[www.HARTING.com](http://www.HARTING.com)