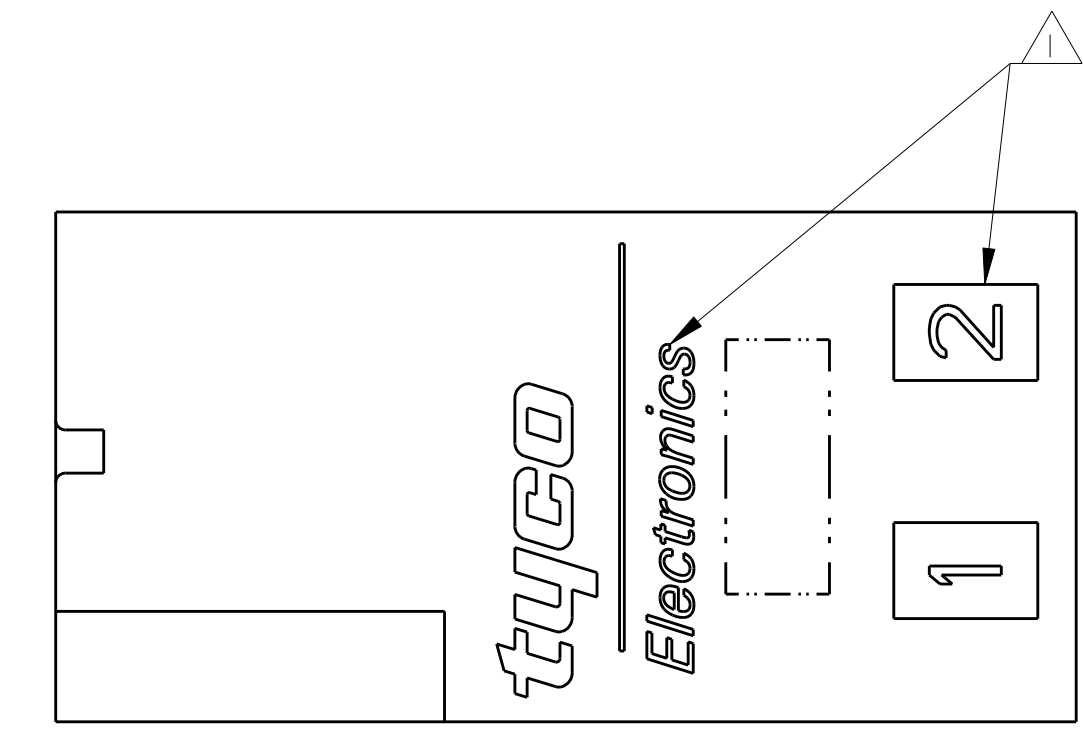
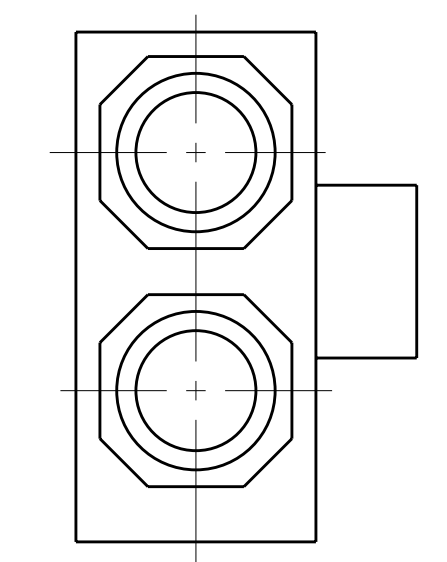
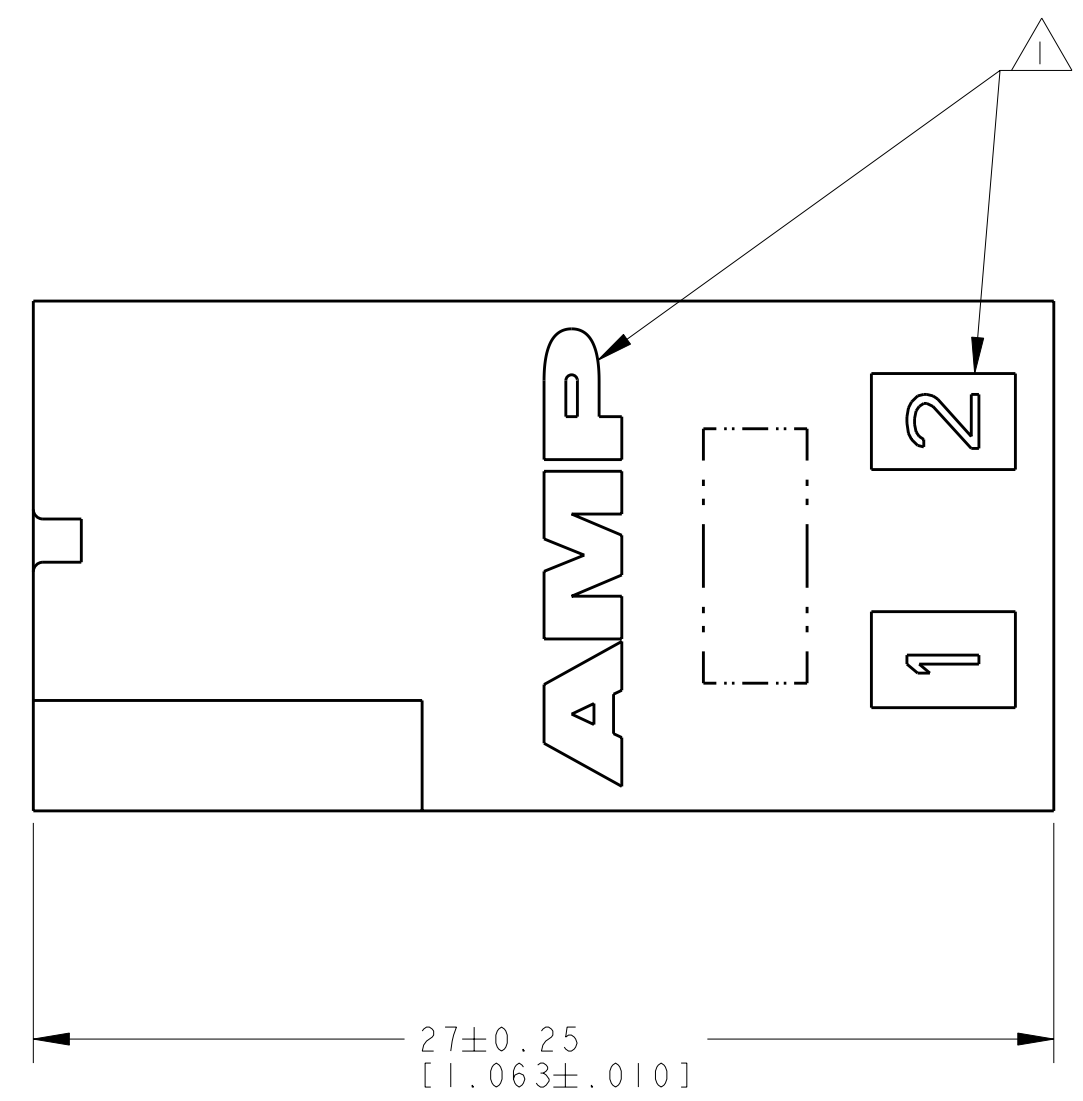
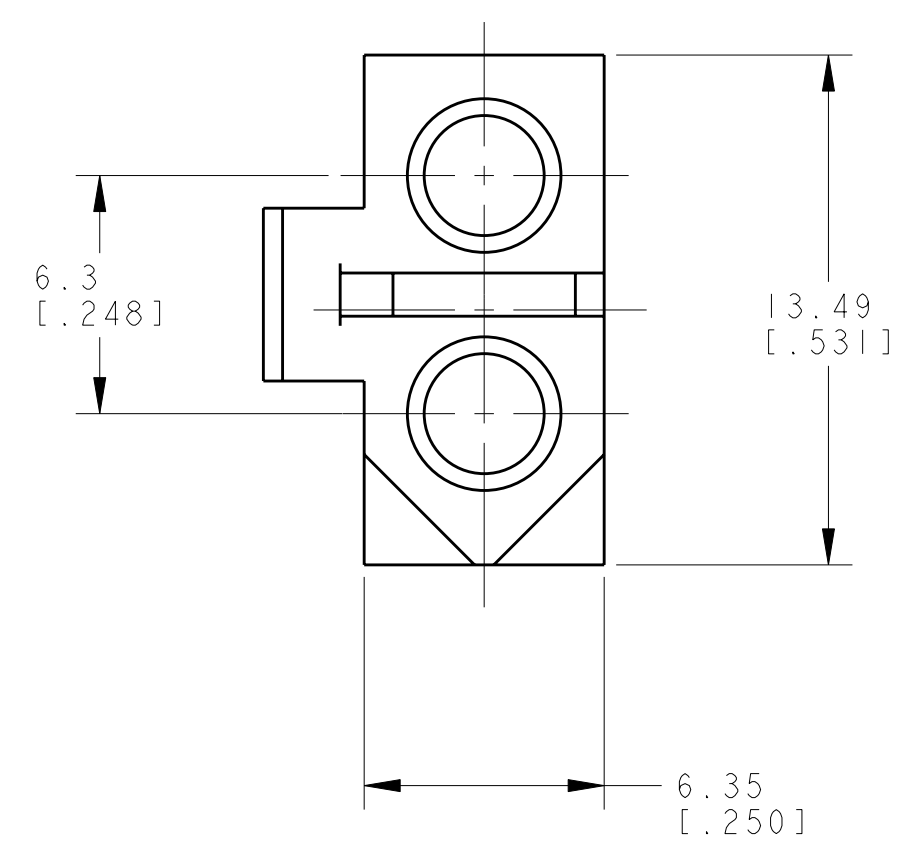
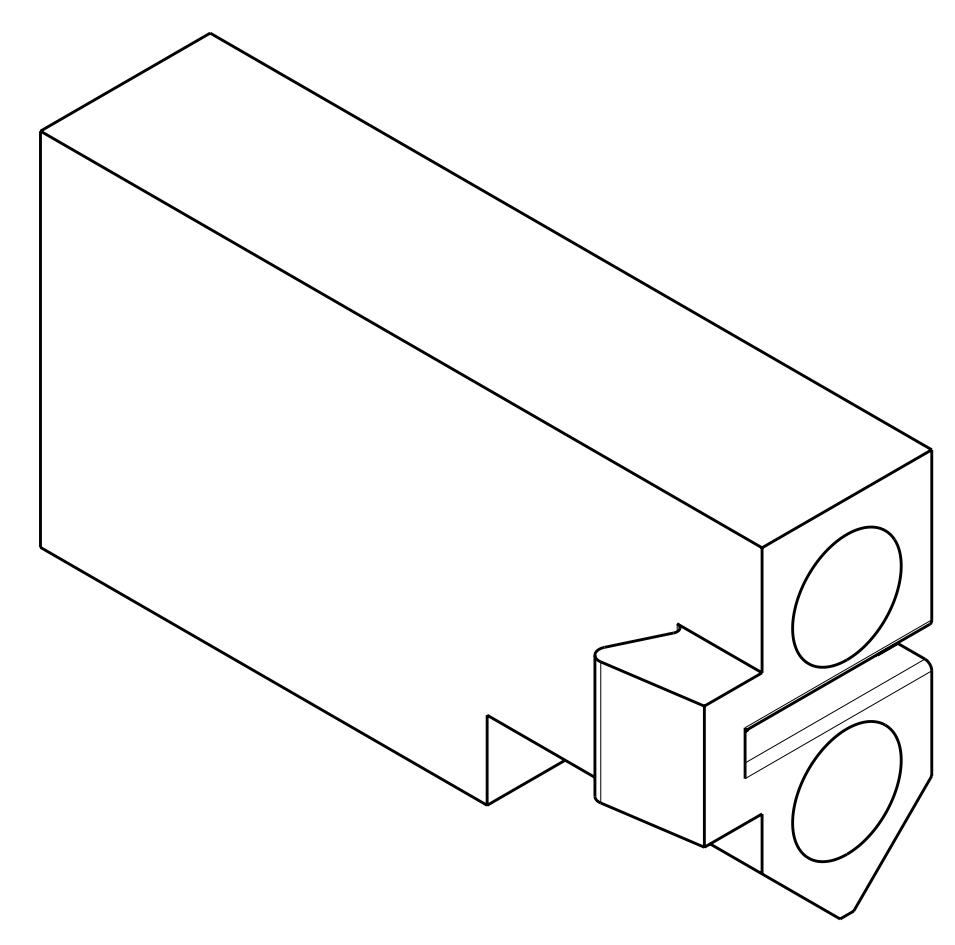


LOC	DIST	REVISIONS			
CM	00	REV	DATE	DWN	APVD
		D1	REVISED PER ECR-10-007128	14 JUN 2010	HMR KR

- ① AMP OR TYCO ELECTRONICS LOGO AND CIRCUIT NUMBERS LOCATED APPROXIMATELY AS SHOWN.
- ② NYLON, ULV-2, NATURAL.
- ③ NYLON, ULV-0, NATURAL.



OPTIONAL CONSTRUCTION



METRIC

③	770424-2
②	770424-1
MATERIAL	PART NUMBER

<small>THIS DRAWING IS UNPUBLISHED. RELEASED FOR PUBLICATION BY TYCO ELECTRONICS CORPORATION. ALL RIGHTS RESERVED.</small>		DWN: R. WHITAKER CHK: D. COLEY APVD: D. COLEY	09DEC2004 09DEC2004 09DEC2004	Tyco Electronics Harrisburg, PA 17105-3608
DIMENSIONS: mm [INCHES]	TOLERANCES UNLESS OTHERWISE SPECIFIED: 0 PLC ± 1 PLC ± 2 PLC ±0.13 (1.005) 3 PLC ± 4 PLC ± ANGLES ±40° 30'	PRODUCT SPEC APPLICATION SPEC FINISH	NAME: RECEPTACLE, POSITIVE LOCK, 2 CIRCUIT, .093 PIN AND SOCKET SIZE: A 00779 C=770424 DRAWING NO: 770424	RESTRICTED TO:
MATERIAL: SEE TABLE		WEIGHT: -	CUSTOMER DRAWING	SCALE: 5:1 SHEET 1 OF 1 REV: D1