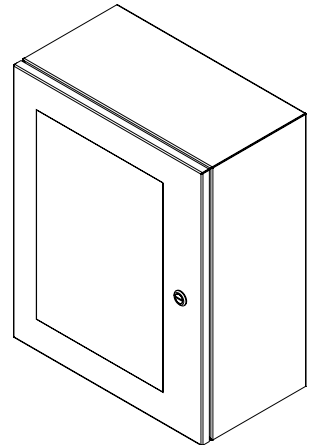


PART No. EN4SD20168WSS

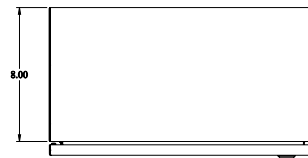
for more information visit
www.hammfg.com

Data subject to change without notice

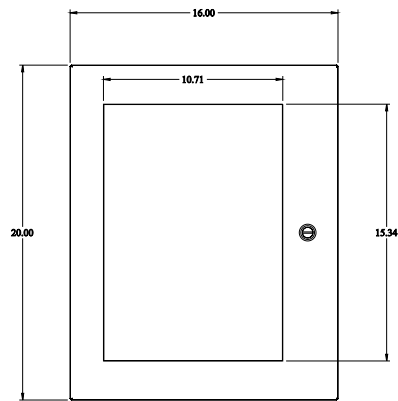
Isometric drawing Not to Scale



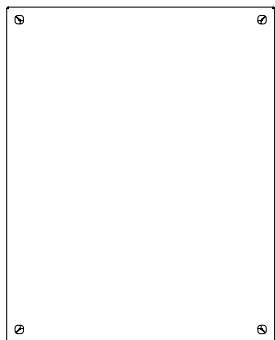
ISOMETRIC VIEW



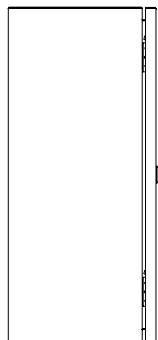
TOP VIEW



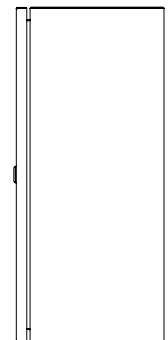
FRONT VIEW



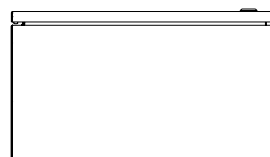
BACK VIEW



LEFT SIDE VIEW



RIGHT SIDE VIEW



BOTTOM VIEW