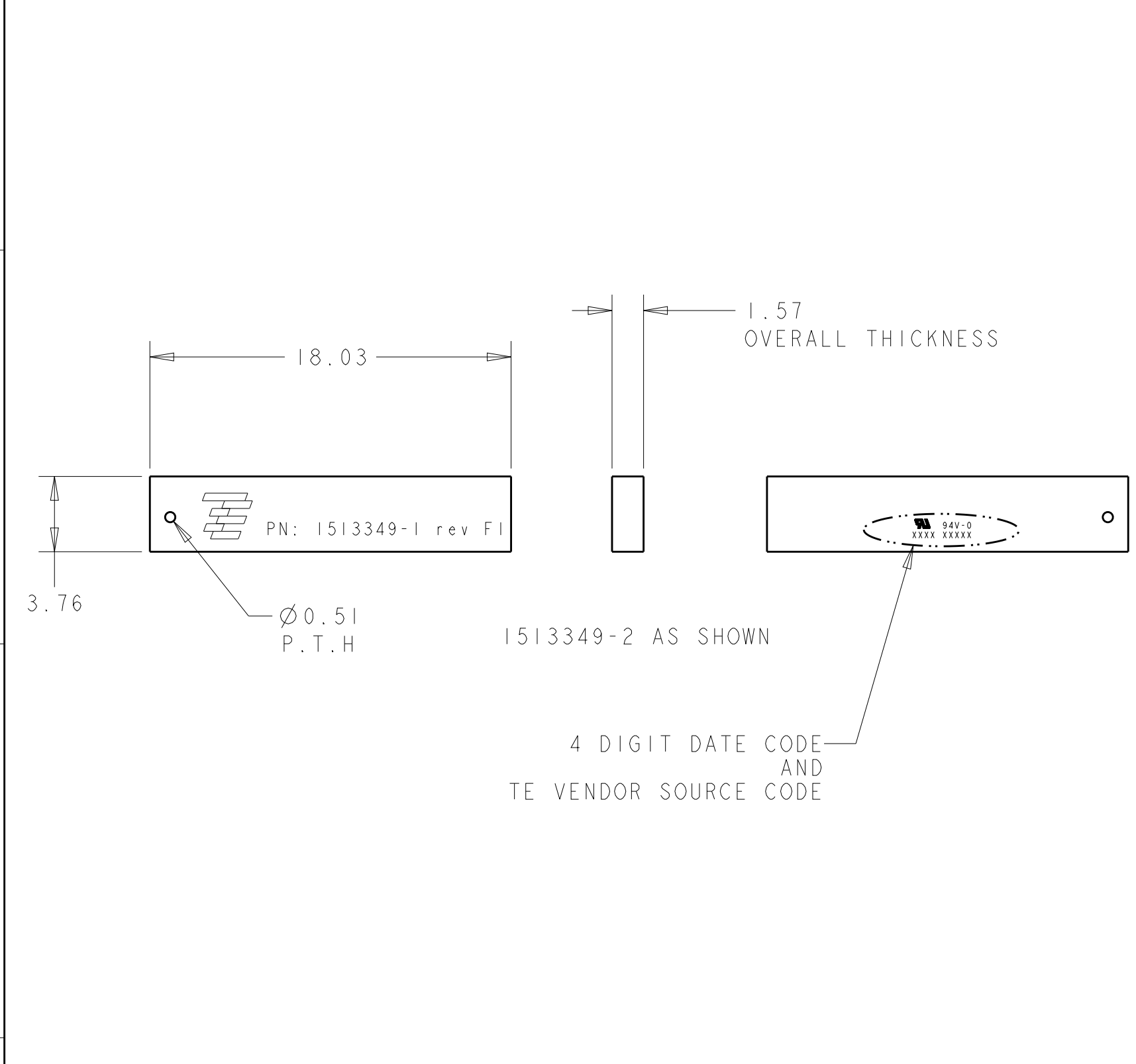


THIS DRAWING IS UNPUBLISHED. RELEASED FOR PUBLICATION 20
 © COPYRIGHT 20 BY TYCO ELECTRONICS CORPORATION. ALL RIGHTS RESERVED.

LOC	DIST	REVISIONS					
		P	LTR	DESCRIPTION	DATE	DWN	APVD
HQ	00		F1	REV PER ECO 12-016455	13SEP2012	DW	GG



NOTES: UNLESS OTHERWISE SPECIFIED.

- FABRICATE TO MEET IPC - 6012, CLASS 2. INSPECT TO MEET IPC - A - 600, CLASS 2.
- PRIMARY AND SECONDARY SIDES SHOWN
- MATERIAL: GETEK 8 PLY (7628) 1.49 THK. GRADE RG200D 1/2 OZ. COPPER BOTH SIDES. DIELECTRIC CONSTANT @ 1MHZ 4.2±0.1.
- FINISH:
 A: 1/2 Oz COPPER PLATING
 B: SOLDERMASK OVER BARE COPPER (SMOBC).
 C: MASK BOTH SIDES OF PCB WITH LPI SOLDERMASK. SOLDERMASK COLOR: NATURAL GREEN.
 D: E.N.I.G PLATING
- TWO PLACE TOLERANCES: ±0.23
- PACKAGING: SINGULATED PARTS TO BE SECURELY SHRINK WRAPPED, BAGGED OR VACUUM PACKED IN BULK.
- PARTS ARE COMPLIANT TO ROHS STANDARDS PER TYCO ELECTRONICS STANDARD TEC-138-702.
- CONSULT TYCO ELECTRONICS DATA SHEET DS1513349
- CONTACT TYCO ELECTRONICS ENGINEERING PRIOR TO DESIGNING INTO AN APPLICATION
- PACKAGING: TAPE & REEL (SEE PAGE 2).

FOR TAPE AND REEL PACKAGING, ORDER P/N 1513349-1
 FOR BULK PACKAGING, ORDER P/N 1513349-2

THIS DRAWING IS A CONTROLLED DOCUMENT FOR TYCO ELECTRONICS CORPORATION IT IS SUBJECT TO CHANGE AND THE CONTROLLING ENGINEERING ORGANIZATION SHOULD BE CONTACTED FOR THE LATEST REVISION.		DWN VG 12JUN2007	Tyco Electronics Rochester, New York 14623	
DIMENSIONS: mm		CHK -	NAME Bluetooth 802.11b Antenna	
TOLERANCES UNLESS OTHERWISE SPECIFIED: 0 PLC ± 1 PLC ± 2 PLC ± 3 PLC ± 4 PLC ± ANGLES ±		APVD -	RESTRICTED TO	
MATERIAL -		PRODUCT SPEC -	SIZE A3	CAGE CODE 00779
FINISH -		APPLICATION SPEC -	DRAWING NO C-1513349	REV F1
		WEIGHT -	SCALE 1:1 SHEET 1 OF 2	
		CUSTOMER DRAWING		

4

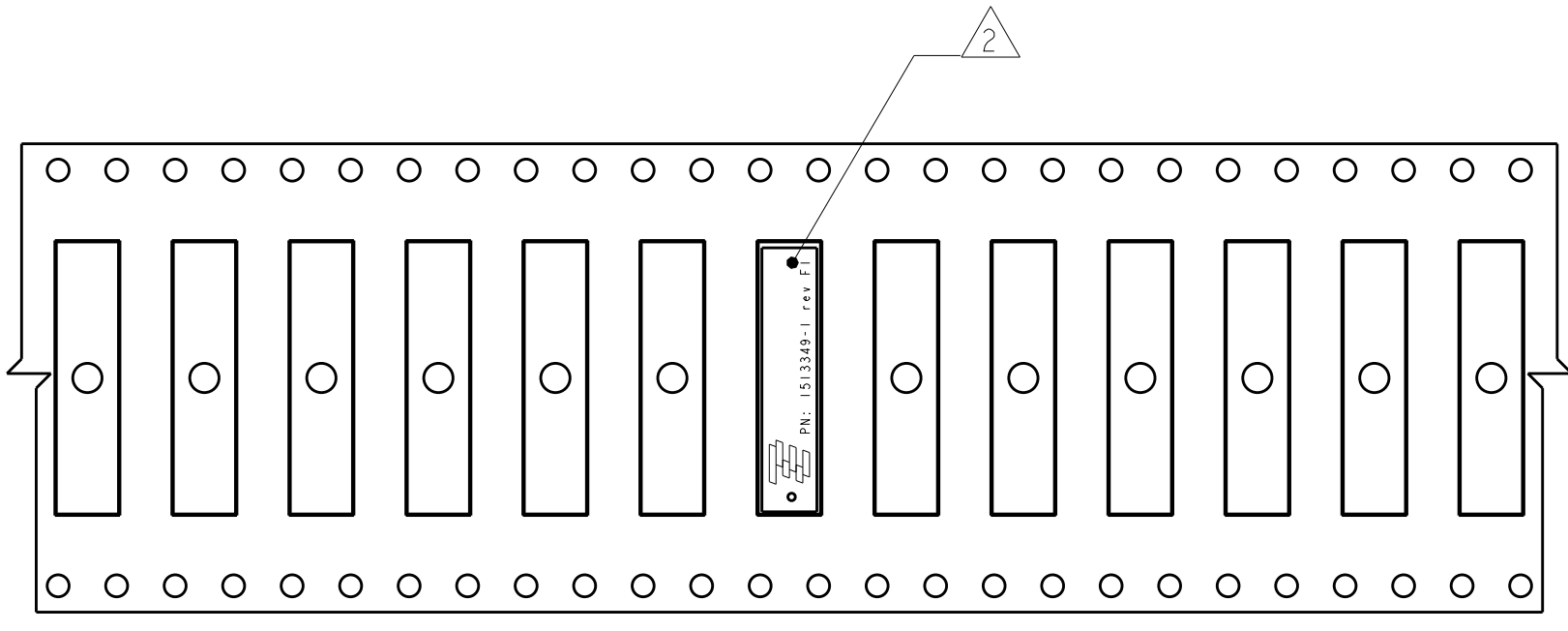
3

2

1


THIS DRAWING IS UNPUBLISHED. RELEASED FOR PUBLICATION 20
 © COPYRIGHT 20 BY TYCO ELECTRONICS CORPORATION. ALL RIGHTS RESERVED.


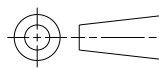
LOC	DIST	REVISIONS					
		P	LTR	DESCRIPTION	DATE	DWN	APVD
HQ	00		-	SEE SHEET 1	-	-	-



1513349-1 AS SHOWN 
 UNREELING DIRECTION

NOTES: UNLESS OTHERWISE SPECIFIED.

- REFER TO TYCO ELECTRONICS DRAWING NO. C-1533293 (PN: 1533293-4) FOR PACKAGING CONTROLLED DOCUMENT SPECIFICATION.
-  ORIENT PARTS AS SHOWN.
- PARTS ARE COMPLIANT TO RoHS STANDARDS PER TYCO ELECTRONICS STANDARD TEC-138-702
- ALL INFORMATION ON THIS DRAWING IS CONFIDENTIAL AND PROPRIETARY TO TYCO ELECTRONICS.

<small>THIS DRAWING IS A CONTROLLED DOCUMENT FOR TYCO ELECTRONICS CORPORATION. IT IS SUBJECT TO CHANGE AND THE CONTROLLING ENGINEERING ORGANIZATION SHOULD BE CONTACTED FOR THE LATEST REVISION.</small>		DWN VG 12JUN2007	 Tyco Electronics Rochester, New York 14623	
DIMENSIONS: mm 		CHK -	NAME Bluetooth 802.11b Antenna	
TOLERANCES UNLESS OTHERWISE SPECIFIED: 0 PLC ± 1 PLC ± 2 PLC ± 3 PLC ± 4 PLC ± ANGLES ±		APVD -		
MATERIAL -	FINISH -	PRODUCT SPEC -	SIZE A3	CAGE CODE 00779
		APPLICATION SPEC -	DRAWING NO C-1513349	RESTRICTED TO -
		WEIGHT -	SCALE 1:1 SHEET 2 OF 2 REV F1	
		CUSTOMER DRAWING		