

THIS DRAWING IS UNPUBLISHED. RELEASED FOR PUBLICATION SEPT ,2005.

© COPYRIGHT 2005 BY TYCO ELECTRONICS CORPORATION. ALL RIGHTS RESERVED.

LOC	DIST	REVISIONS					
E	B	P	LTR	DESCRIPTION	DATE	DWN	APVD
		E1		ECR-10-005886	18/3/2010	RITA	BOB

NOTES:

- ① SINGLE PACK IN ACCORDANCE WITH AMP SPEC 107-3275
- ② 100 TRAY PACK IN ACCORDANCE WITH AMP SPEC 107-3275
- ③ FLASH Au PLATING
- ④ 0.8µm Au PLATING
- ⑤ Ni PLATING
- ⑥ THIS ITEM MUST BE WHITE

- 7. HAND TOOL : 9-1478240-0
- 8. DIE SET : 9-1478242-0

9. ELECTRICAL CHARACTERISTICS

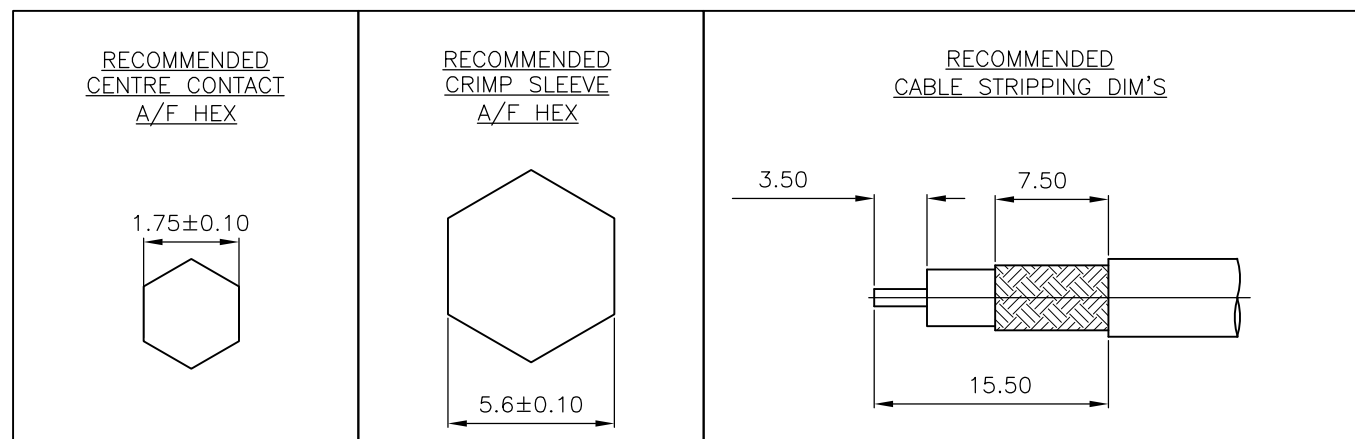
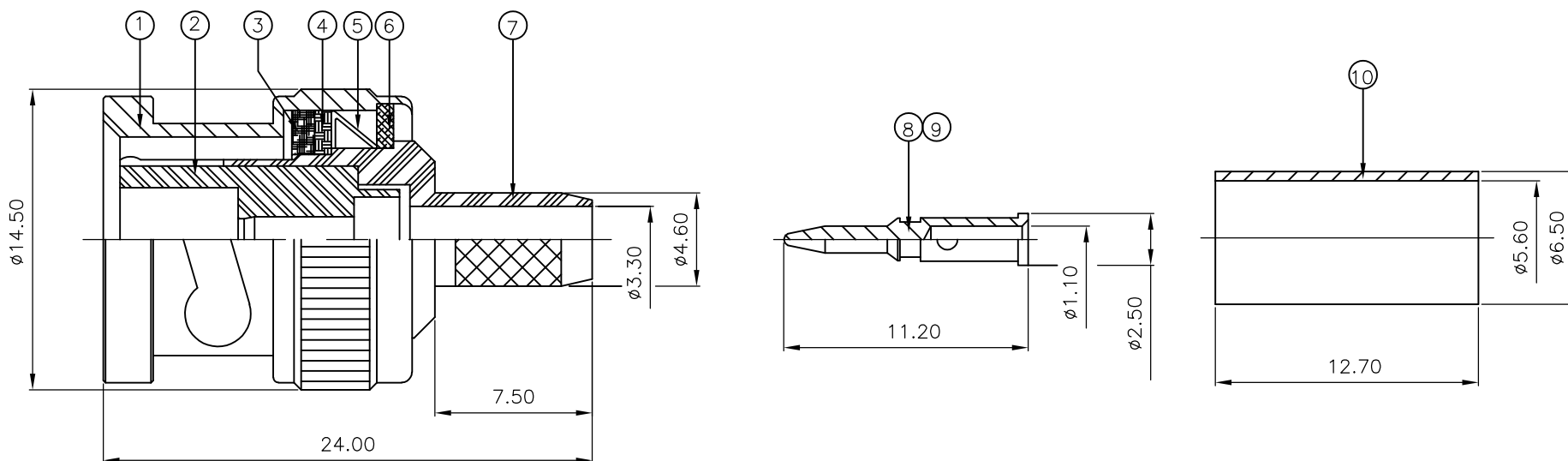
FREQUENCY RANGE:	DC - 4 GHz
NOMINAL IMPEDANCE:	50 Ohm
INSULATION RESISTANCE:	5000 MOhm
WORKING VOLTAGE:	500 Volts RMS at Sea Level
DIELECTRIC WITHSTAND VOLTAGE:	1500 Volts RMS Max
CONTACT RESISTANCE:	
CENTRE CONTACT:	1.50 mOhm Max
OUTER CONTACT:	0.20 mOhm Max
VSWR @ 4GHz:	1.30:1 Max
INSERTION LOSS dB @ x 3 GHz:	0.20 Max

10. MECHANICAL CHARACTERISTICS

COUPLING NUT RETENTION FORCE:	445N Min
CABLE RETENTION FORCE:	170N Min
DURABILITY:	500 Cycles Min

11. ENVIRONMENTAL CHARACTERISTICS

OPERATING TEMPERATURE:	-65 to +165 DegC
------------------------	------------------



QTY	PLC	LTR	DESCRIPTION	DATE	DWN	APVD	ITEM
1	1	1	BRASS		⑤		FERRULE 10
1	1	-	BRASS		④		CONTACT 9
-	-	1	BRASS		③		CONTACT 8
1	1	1	BRASS		⑦		BODY 7
1	1	1	BRASS		⑥		WASHER 6
1	1	1	SPRING STEEL				SPRING 5
1	1	1	BRASS		④		WASHER 4
1	1	1	SILICON RUBBER		⑥		GASKET 3
1	1	1	PTFE				INSULATION 2
1	1	1	BRASS		⑤		SHELL 1
6--1	1--1	6--0	1--0				MATERIAL DESCRIPTION ITEM
⑤	④	③	⑦				

THIS DRAWING IS A CONTROLLED DOCUMENT.		DWN	J.SANDWELL	12SEPT05	 Tyco Electronics Corporation Bideford, UK, EX39 4HE		
DIMENSIONS: mm		CHK	S.PARLOW	12SEPT05			
TOLERANCES UNLESS OTHERWISE SPECIFIED:		APVD	F.WHEELER-KING	12SEPT05			
0 PLC ± - 1 PLC ± - 2 PLC ± - 3 PLC ± - 4 PLC ± - ANGLES ± -		PRODUCT SPEC	108-3435				
MATERIAL SEE TABLE		FINISH	SEE TABLE		APPLICATION SPEC	411-3247	
		WEIGHT	-		NAME	BNC STRAIGHT PLUG CRIMP 50 OHM RG58C/U, 141A/U, URM 43 & 76, KX15 BELDEN 9907	
CUSTOMER DRAWING		SCALE	NTS		SIZE	CAGE CODE	DRAWING NO
		SHEET	1 OF 1		RESTRICTED TO	-	
		REV	E1				