

6

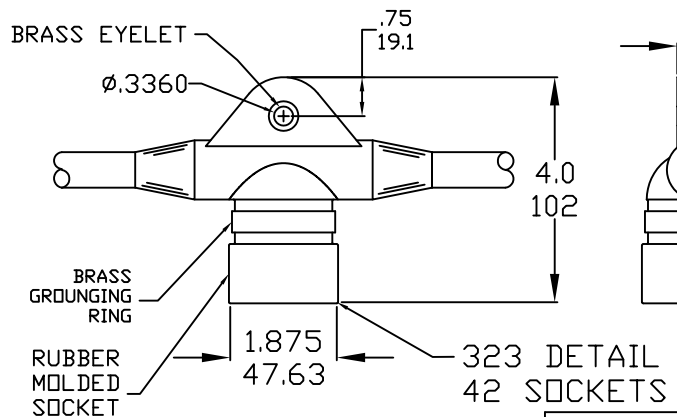
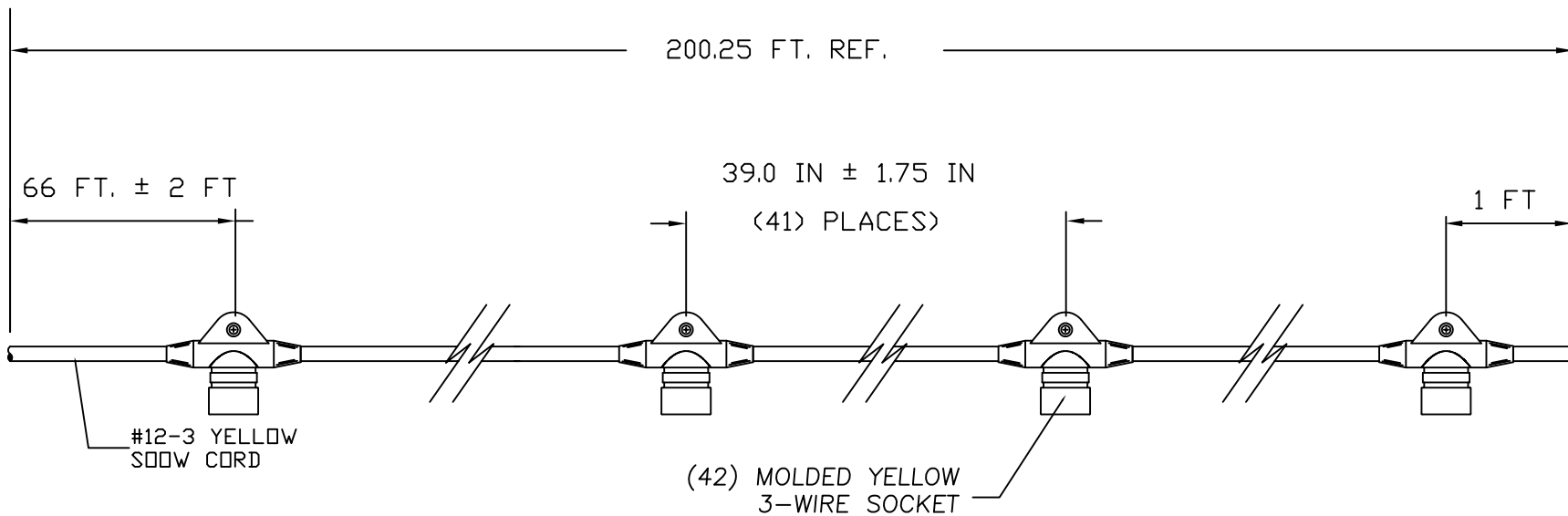
5

4

3

2

1



RELEASE DRAWING EC NO: WNA2010-0739 DRWN: TVICKERS 2010/06/02 CHKD: HK APPR: DTITUS 2010/09/03 REV A	QUALITY SYMBOLS ▽=0 ▽C=0	GENERAL TOLERANCES (UNLESS SPECIFIED)		DIMENSION STYLE IN/MM		SCALE NTS	DESIGN UNITS INCH	THIRD ANGLE PROJECTION		
			mm	INCH	DRAWN BY TVICKERS	DATE 2010/06/02	TITLE STRINGLIGHT 200.25 FT. (42) 323@39 IN. CENTERS 66 FT. LEAD & 1 FT TAIL			
		4 PLACES	±---	±---	CHECKED BY HK	DATE 2010/06/02	MOLEX INCORPORATED DOCUMENT NO. SD-130106-017 SHEET NO. 1 OF 1			
		3 PLACES	±---	±.005	APPROVED BY DTITUS	DATE 2010/09/02				
		2 PLACES	±0.13	±.010	MATERIAL NO. 1301060160					
1 PLACE	±0.25	±.020	SIZE A		THIS DRAWING CONTAINS INFORMATION THAT IS PROPRIETARY TO MOLEX INCORPORATED AND SHOULD NOT BE USED WITHOUT WRITTEN PERMISSION					

6

5

4

3

2

1