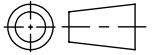
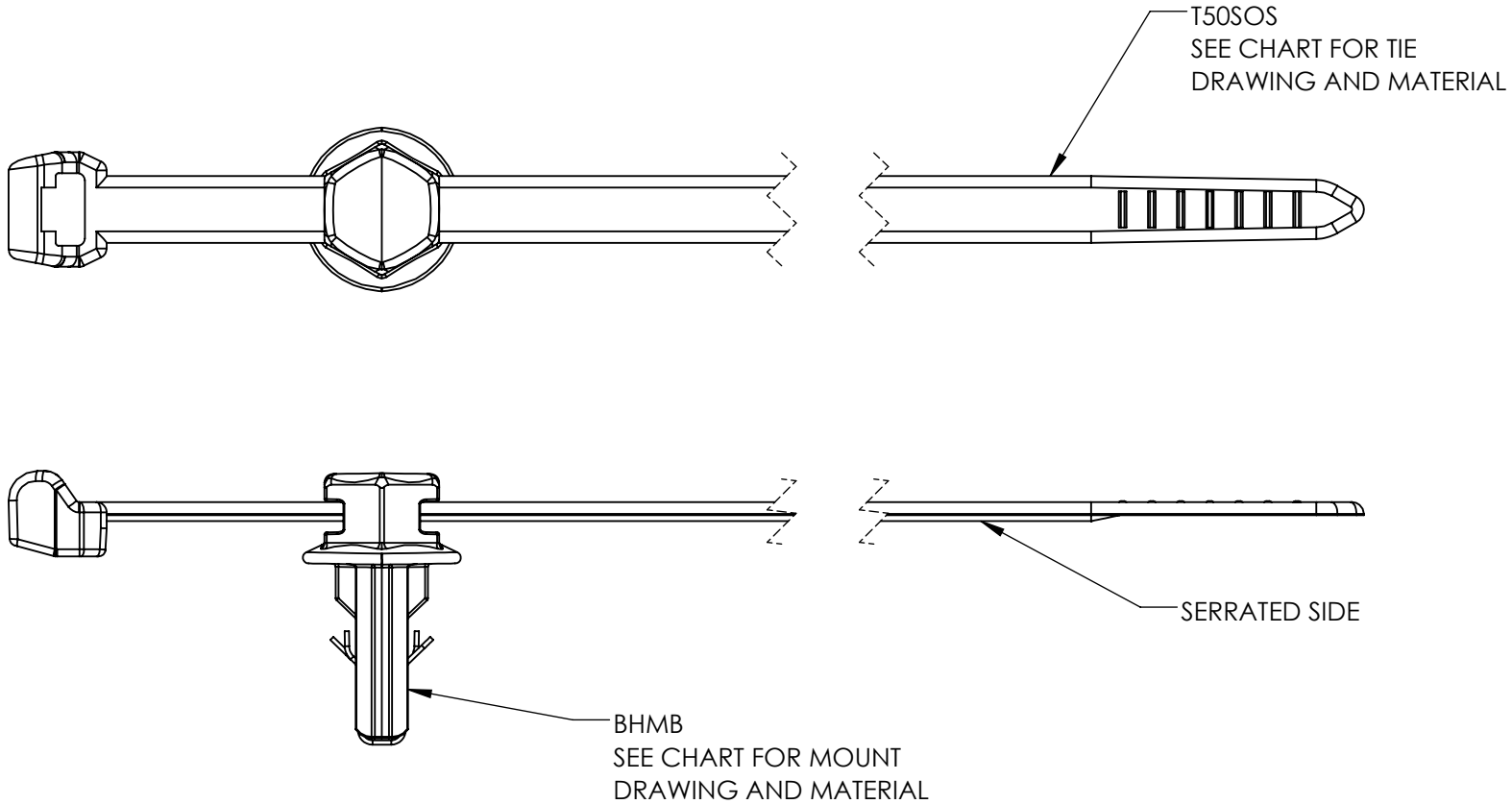


SW2015



Revision level			Revision Record	Changed	Date	Approved	Date
Drawing	State	Part					
0.0	Design Release	-	SEE ECN# 013741	CTF	03/03/2017	KAC	03/03/2017



TYPE	BUNDLE RANGE	CABLE TIES		MOUNT	
		DRAWING	MATERIAL	DRAWING	MATERIAL
T50SOSBHMB	2 to 35	CT10-0737-001CST	PA66HS	14-0969-030-CSU	PA66HS ZINC PLATED STEEL

Material SEE CHART	Units: millimeters	The copyright of this drawing is reserved by HellermannTyton. It is issued on condition that it is not reproduced, copied, or disclosed to a third party, either wholly or in part, without the consent of HellermannTyton.	Drawn	CTF	03/03/2017	Article/Type-No	SEE CHART	Scale	2:1
	Dimension without tolerances details to: .xxx = ±.013 .xx = ±.13 .x = ±.3 None = ±.8 ∠ = ±0.5° Dimension Formatted mm/[in]		Approved	KAC	03/03/2017	Title	T50SOS CABLE TIE WITH BHMB BLIND HOLE MOUNT	Project Number	PRP 17-0716
	HellermannTyton North America Email: corp@htamericas.com Web: www.hellermann.tyton.com			Drawing-No	Pre-Production : Phase		Format	AH	
				17-0716-010-CSU			Sheet	1/1	