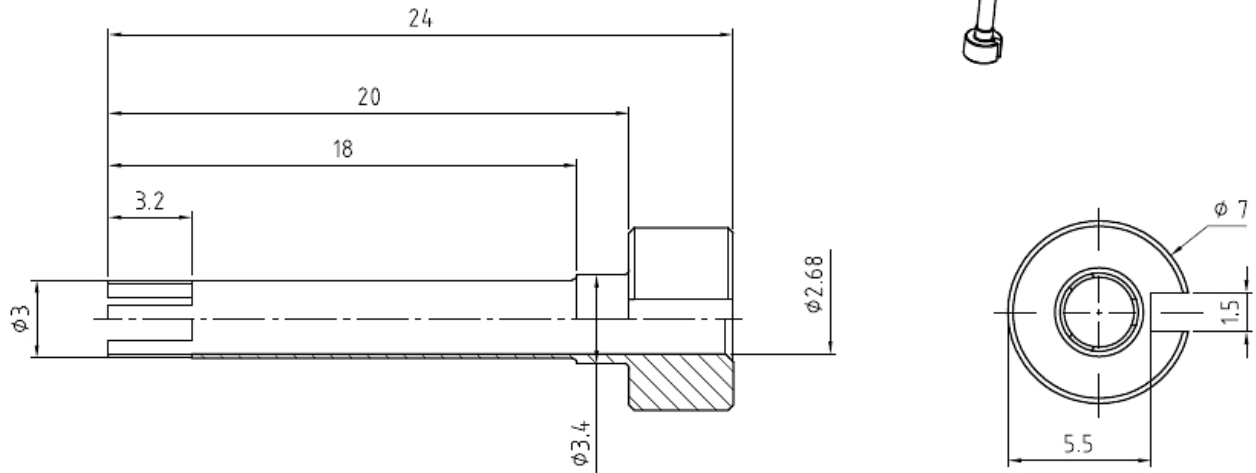


Insert  
Mini-Coax

Replacement sleeve for  
extraction tool

**23W100-001**



All dimensions are in mm; tolerances according to ISO 2768 m-H

**Application**

Series for Mini coax male and female inserts  
 Extraction tool 23W100-000  
 Change of sleeve insert 23W100-000/91

**Material and plating**

**Connector parts**  
 Replacement sleeve **Material** CuBe **Plating** Nickel, 2.5-5 µm

**Weight**

1.24 g/pce

While the information has been carefully compiled to the best of our knowledge, nothing is intended as representation or warranty on our part and no statement herein shall be construed as recommendation to infringe existing patents. In the effort to improve our products, we reserve the right to make changes judged to be necessary.

Draft	Date	Approved	Date	Rev.	Engineering change number	Name	Date
H. Babinger	06.02.09	F. Reiner	10.07.18	b01	18-1026	M. Ruf	06.07.18

Rosenberger Hochfrequenztechnik GmbH & Co. KG P.O.Box 1260 D-84526 Tittmoning Germany <a href="http://www.rosenberger.de">www.rosenberger.de</a>					Tel. : +49 8684 18-0 Email : <a href="mailto:info@rosenberger.de">info@rosenberger.de</a>		Page 1 / 1
--	--	--	--	--	--	--	---------------