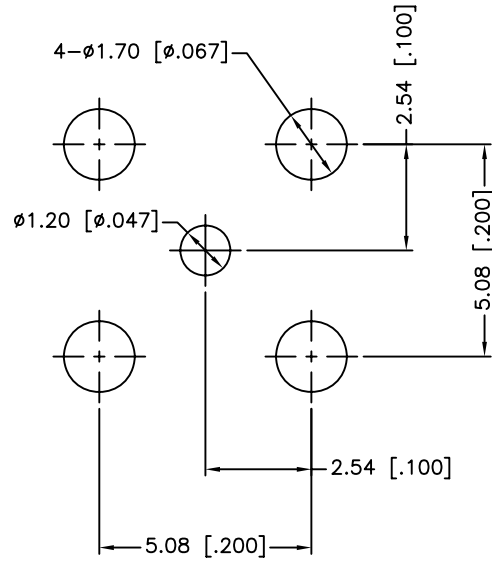
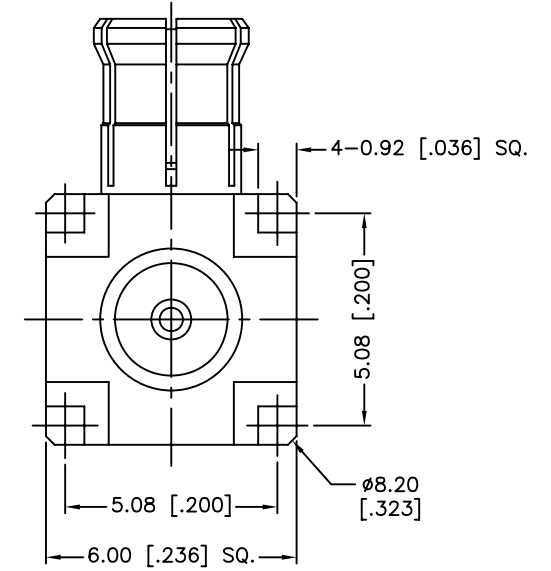
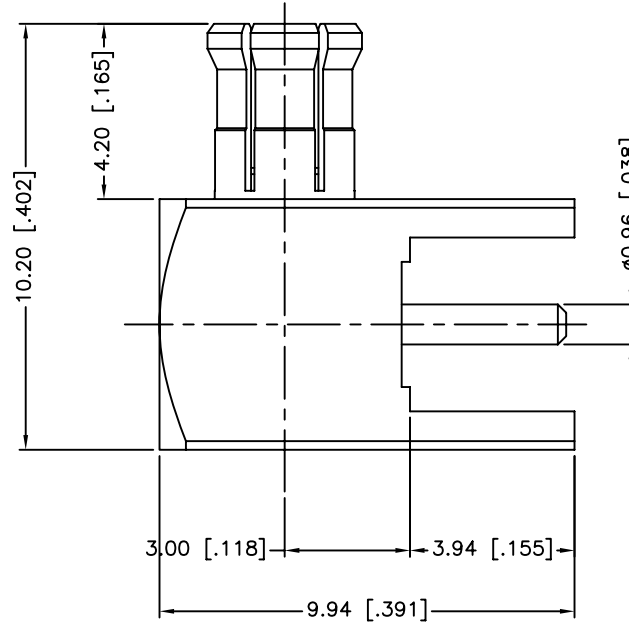


REV.	DATE	ECR NO.	DESCRIPTION
NC	12/16/98	XXXXXX	INITIAL RELEASE
A	12/31/05	XXXXXX	UPDATE DRAWING FORMAT
B	10/28/11	2248	ADD DIMENSIONS & ADD NOTES & UPDATE BOTTOM VIEW



PCB MOUNTING HOLE



1. IMPEDANCE:50 OHM
2. FREQUENCY RANGE: DC 0-2.5 GHz
3. DIELECTRIC WITHSTANDING VOLTAGE: 1000 VRMS, MIN.
4. DURABILITY:500 CYCLES MIN.
5. TEMPERATURE RANGE: -55°C TO +155°C

UNLESS OTHERWISE SPECIFIED DIMENSIONS ARE IN MILLIMETERS. DIMENSIONS IN [ ] ARE IN INCHES AND FOR CUSTOMER REFERENCE ONLY.				APPROVALS	DATE	<h1 style="color: blue; margin: 0;">Amphenol Connex</h1>									
5	BODY	BERYLLIUM COPPER	GOLD	1	DRAWN		M.ZHANG	10/28/11							
4	INSULATOR	PTFE	NATURAL	1	CHECKED										
3	CONTACT PIN	BRASS	GOLD	1	ISSUED										
2	INSULATOR	PTFE	NATURAL	1	SHEET		1 OF 1								
1	HOUSING	BRASS	GOLD	1											
	DESCRIPTION	MATERIAL	FINISH	QTY	DO NOT SCALE DRAWING			CAD FILE	C:/CONNEX/252155.DWG	<b>PART DESCRIPTION</b> MXC R/A P.C. BOARD RECEPT. PLUG	<b>PART NO.</b> 252155	<b>DWG. NO.</b> 252155.DWG	<b>REV.</b> B	<b>SIZE</b> A	<b>SCALE</b> NA

UNLESS OTHERWISE SPECIFIED TOLERANCES FOR MILLIMETERS ARE:  
0.5 - 8mm ± 0.20mm  
8 - 30mm ± 0.40mm  
30 - 120mm ± 0.50mm

UNLESS OTHERWISE SPECIFIED TOLERANCES FOR INCHES ARE:  
.020 - .315 = ± 0.007"  
.315 - 1.180 = ± 0.015"  
1.180 - 4.724 = ± 0.020"