

4

3

2

1


THIS DRAWING IS UNPUBLISHED. RELEASED FOR PUBLICATION
© COPYRIGHT ALL RIGHTS RESERVED.

LOC		DIST		REVISIONS		
P	LTR	DESCRIPTION	DATE	DWN	APVD	
	E1	ECR-16-009822	14JUL2016	GK	SD	

REPLACED BY OCEAN STYLE APPLICATOR PART NUMBER 2836042-1

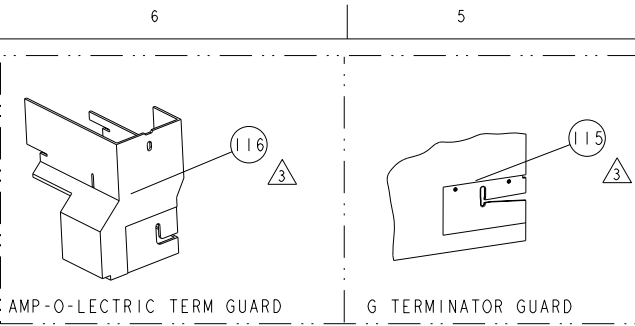
FOR REPLACEMENT PARTS FOR APPLICATOR 1852717 REFER TO ADDITIONAL PAGE(S). SPARE PARTS KIT (IF LISTED) WILL REMAIN AVAILABLE.

THE REPLACEMENT OCEAN STYLE APPLICATOR HAS THE SAME TERMINATOR/PRESS INTERFACE AS APPLICATOR 1852717

THIS DRAWING IS A CONTROLLED DOCUMENT.		DWN	GOPALAKRISHNA HV		 TE Connectivity
DIMENSIONS:		CHK	GOPALAKRISHNA HV		
TOLERANCES UNLESS OTHERWISE SPECIFIED:		APVD	STOUGH DALE		NAME SIDE FEED HDM APPLICATOR
0 PLC ±		PRODUCT SPEC			
1 PLC ±		APPLICATION SPEC			SIZE A3
2 PLC ±		WEIGHT	CAGE CODE	DRAWING NO	
3 PLC ±				©- 1852717	
4 PLC ±				SCALE	SHEET 1 OF 2 REV E1
ANGLES ±				CUSTOMER ACCESSIBLE PRODUCTION DRAWING	
MATERIAL	FINISH				

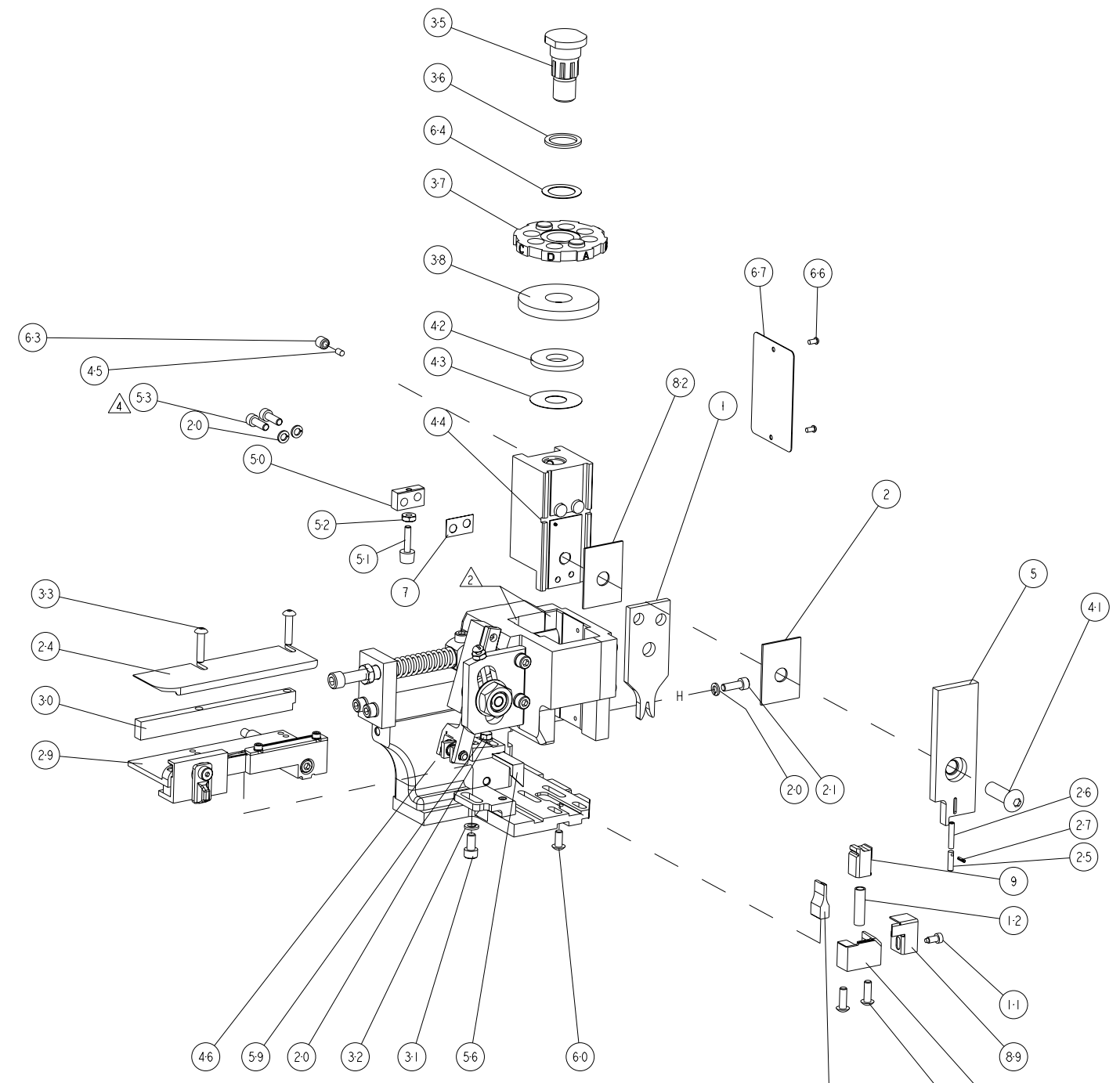
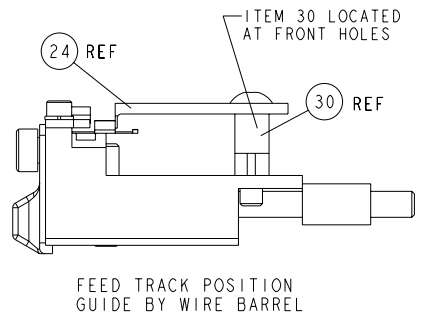
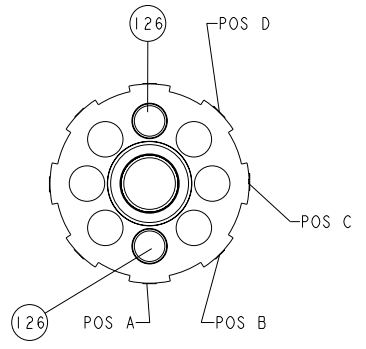
PART NUMBER	REV	FIRST USED	POWER UNIT	FEED TYPE	DESCRIPTION
1852717-1	E	122500-1	LEADMAKER	POST FEED	CUTS CARRIER
1852717-2	E	565435-5	BENCH MODEL K	PRE FEED	CUTS CARRIER
1852717-3	E	354500-1	BENCH MODEL G	PRE FEED	CUTS CARRIER
1852717-6	E	122500-1	LEADMAKER	POST FEED	CONTINUOUS CARRIER
7-1852717-7	B	-	-	-	SPARE PARTS

- 1 RECOMMENDED SPARE PARTS
- 2 GREASE LIGHTLY
- 3 GUARD MUST BE IN PLACE WHEN OPERATING APPLICATOR IN A BENCH MACHINE
- 4 CUT TO LENGTH AT ASSEMBLY.

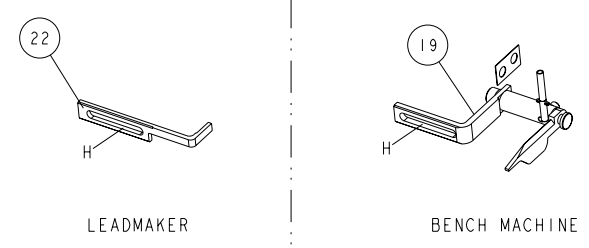
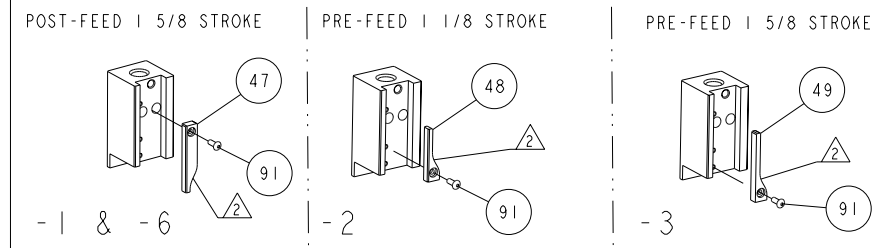


TE PN		COMP PN		PLAINFIELD STAMPING TERMINAL	
1949704	503-558-00			PLAINFIELD STAMPING CRIMP SPECS	
1949948	503-547-00	PAD LTR		CRIMP HEIGHT	WIRE SIZE
-	-	A	1.15mm ± .05 / .05 [.045 - .002 / -.002]		20AWG
-	-	B			
-	-	C			
-	-	D			
		CRIMP	SIZE	TYPE	RANGE
-	-	WIRE	1.55mm [.061]	F	20 AWG
-	-	INSUL			
WIRE STRIP LENGTH	TERM APPL SPEC	FEED	APPLICATOR INSTRUCTIONS		SET UP GAGE
3.83-4.21	NONE	7.05	408-8040		458637-1

LOC		DIST		REVISIONS			
A	66	#	LTW	DESCRIPTION	DATE	BY	APPD
		E		ECR-11-011107	21MAY2011	MY	GB



2	2	2	2	5-354779-3	PIN, WIRE DISC, .3255	126
3	-	REF	-	455749-1	GUARD WINDOW	116
3	-	REF	-	679532-1	INSERT, GUARD	115
-	1	1	1	1-21002-7	SCR, BTN SKT HD CAP 6-32 X .375	91
-	1	1	1	318563-1	GUARD, FRONT CHIP	89
-	1	1	1	455888-9	SPACER, CRIMPER	82
-	1	1	1	4088040	SF APPL INST 408-8040	72
-	1	1	1	217238-1	GENERAL INSTRUCTION PKG	71
-	1	1	1	461264-1	PLATE, IDENTIFICATION	67
-	2	2	2	21017-2	SCREW, DRIVE	66
-	1	1	1	986950-1	WASHER, FLAT PRECISION	64
-	1	1	1	21009-2	SCR, SET, SELF LOCKING 1/4-20 X .250	63
-	1	1	1	22733-8	SCR, BHSC, SELF-LOCKING, 8-32 X .375	60
-	1	1	1	2-22603-0	SCR, HEX HD CAP 8-32 X .312	59
-	1	1	1	458537-2	PAWL, FEED	56
4	2	2	2	2-21002-2	SCR, BTN SKT HD CAP 8-32 X .500	54
4	2	2	2	2-21000-7	SCR, SKT HD CAP 8-32 X .500	53
-	1	1	1	21018-5	NUT, HEX, REG 6-32	52
-	1	1	1	811242-2	BUMPER, HOLD DOWN	51
-	1	1	1	690753-8	SPACER, TONKER	50
-	-	1	-	690602-6	CAM, PRE FEED, 1 5/8	49
-	-	1	-	690602-5	CAM, PRE FEED, 1 1/8	48
-	1	1	1	690501-4	CAM, POST-FEED 1 5/8	47
-	1	1	1	459456-1	APPL. BASIC SUB ASSY (SIDE WISE MOCA)	46
-	1	1	1	690191-1	PLUG, NYLON	45
-	1	1	1	819307-1	RAM, SIDE FEED	44
-	1	1	1	690125-1	SHIM SUB-ASSY	43
-	1	1	1	690124-1	WASHER, RAM (.115)	42
-	1	1	1	7-21002-9	SCR, BTN SKT HD CAP 5/16-24 X 1.00	41
-	1	1	1	690223-2	SPACER, INS.	38
-	1	1	1	354777-1	WIRE DISC, ASSEMBLY	37
-	1	1	1	22480-5	SPRING, COMPRESSION	36
-	1	1	1	690212-1	POST, RAM	35
-	2	2	2	2-21002-4	SCR, BTN SKT HD CAP 8-32 X .750	33
-	1	1	1	21024-5	WASHER, SPRG LOCK, REG NO 10	32
-	1	1	1	3-21000-4	SCR, SKT HD CAP 10-32 X .375	31
-	1	1	1	1320908-9	SPACER, STRIP GUIDE	30
-	1	1	1	1633091-1	ASSEMBLY, STRIP GUIDE	29
-	1	1	1	21028-2	PIN, SLOTTED SPRING .062 X .250	27
-	1	1	1	22278-7	SPRING, COMPRESSION	26
-	1	1	1	854769-4	HOLDER, INS	25
-	1	1	1	1320928-1	PLATE, STRIP GUIDE	24
-	1	1	1	690472-2	STRIPPER	22
-	1	1	1	2-21000-7	SCR, SKT HD CAP 8-32 X .500	21
-	4	4	4	21024-4	WASHER, SPRG LOCK, REG NO 8	20
-	-	1	-	679218-2	STRIPPER/ WIRE STOP ASSY	19
1	1	1	1	679625-2	SHEAR HOLDER, FRONT (NO CUT)	13
-	1	1	1	3-22280-3	SPRING, COMPRESSION	12
-	1	1	1	690461-2	STOP, SHEAR	11
1	1	1	1	1-690459-0	SHEAR HOLDER, FRONT	10
1	1	1	1	462006-6	FLOATING SHEAR, FRONT	9
1	1	1	1	3-1633382-5	ANVIL, COMBINATION	8
-	1	1	1	4-240641-3	SPACER	7
-	-	-	-	-	-	6
-	1	1	1	1-854772-4	DEPRESSOR, SHEAR	5
-	-	-	-	-	-	4
-	-	-	-	-	-	3
-	1	1	1	1-455888-0	SPACER, CRIMPER	2
1	1	1	1	2-1333281-3	CRIMPER, WIRE PREMIUM	1



DIMENSIONS: INCHES		TOLERANCES UNLESS OTHERWISE SPECIFIED:		DRAWING NO	
0 PLC	± .01	1 PLC	± .005	100779	1852717
2 PLC	± .001	3 PLC	± .0001	APPLICATOR SPEC	
4 PLC	± .0001	ANGLES ± .0001		CUSTOMER ACCESSIBLE PRODUCTION DRAWING	
MATERIAL:		FINISH:		SCALE 3:5	