

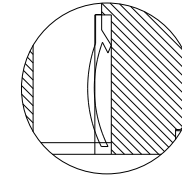
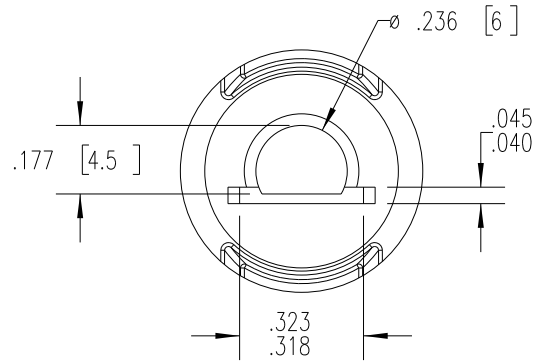
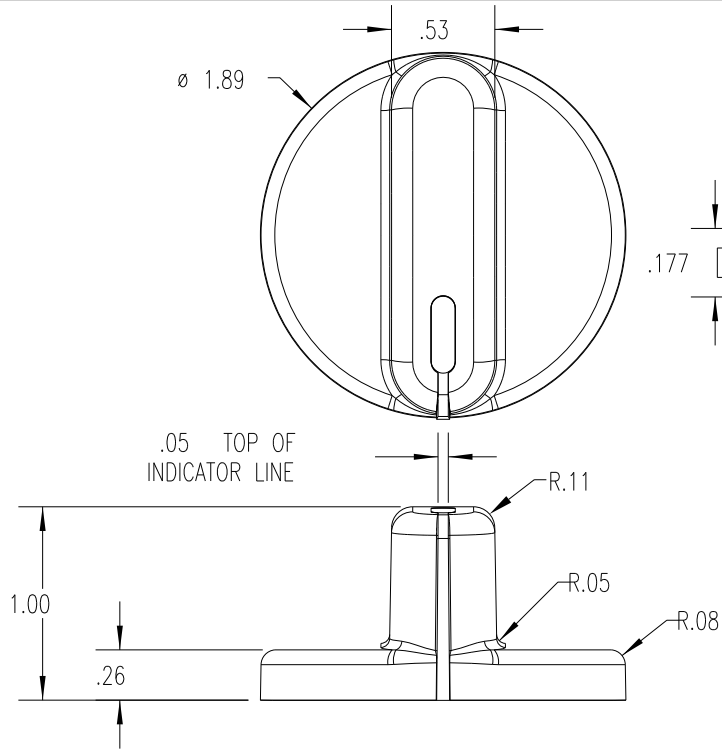
PART NAME: KNOB SCALE: 1:1 DATE: 6/2/16 DR. BY JAM

DAVIES MOLDING COMPANY
CAROL STREAM, ILLINOIS 60188

P/N 1507-K

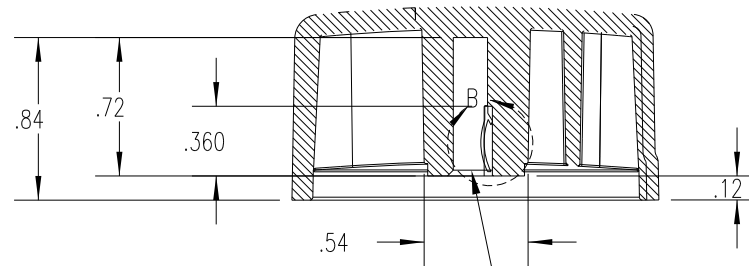
THIS DRAWING IS THE PROPERTY OF DAVIES MOLDING COMPANY, IS SUBMITTED SOLELY AS A DESIGN OR ENGINEERING PROJECT.
WE ACCEPT NO RESPONSIBILITY WHATSOEVER FOR THE PRACTICAL APPLICATION OF THE PIECES MADE TO THIS DESIGN.

MOLD #	1507
CAVITY	1507
CORE	1507
PIN	1507-K
SPRING	I1880



ORIENTATION OF SPRING
DETAIL B
SCALE 2 : 1

DETAIL A
SCALE 2 : 1



SLOT TO ACCOMODATE SPRING I1880
MOLDED HOLE TO ACCOMODATE A
6MM FLATTED TO 4.5MM SHAFT

SECTION A-A

SUBSTRATE MATERIAL: 33% GLASS FILLED NYLON (CL5)
COLOR: WHITE (SWGFNWYH)
OVERMOLD MATERIAL: 33% GLASS FILLED NYLON (BD1)
COLOR: BLACK

TOLERANCES: UNLESS OTHERWISE SPECIFIED	DO NOT SCALE DRAWING			
DECIMALS: X.XXX ± .005 X.XX ± .015	MM: X.XX ± 0.15MM X.X ± 0.4MM	-	WAS SK1507-15	JAM 6/2/16
FRACTIONS ± 1/64	ANG. ± 1°	CHANGES		