

7879-1(***)*		7879-2(***)*	
PART NO.	ENG. NO	PART NO.	ENG. NO
08-55-0124	7879-1(P208)	50-29-1744	7879-2(P228)
08-55-0129	7879-1(P208)L	50-29-1745	7879-2(P228)L
		46999-0460	7879-2(P154)
		46999-0461	7879-2(P154)L
50-29-1900	7879-1(P154)		
46999-0101	7879-1(P154)L		

NOTES:

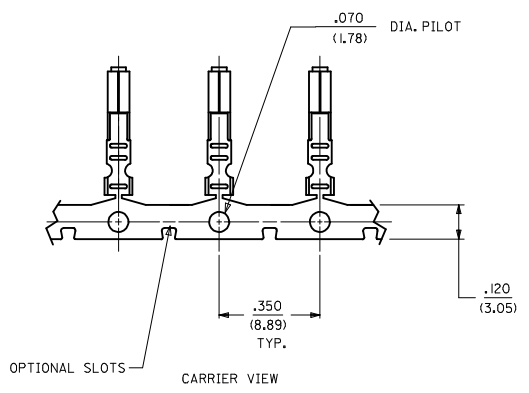
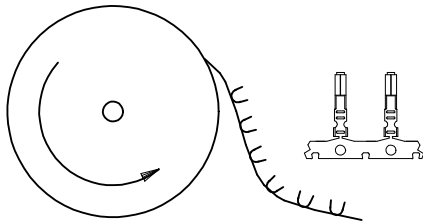
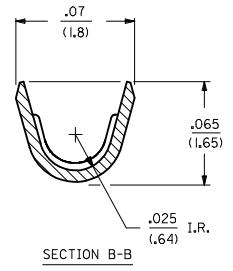
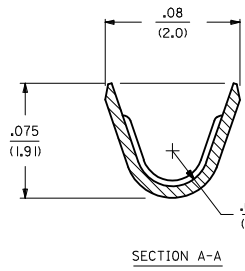
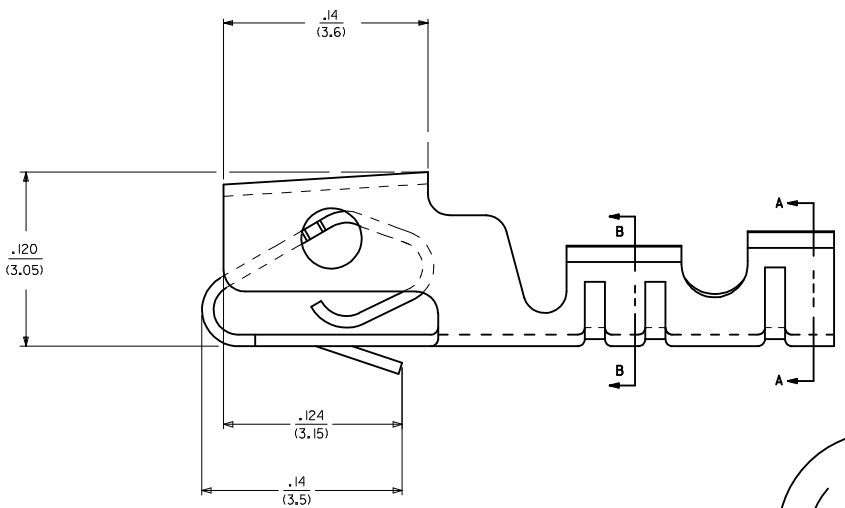
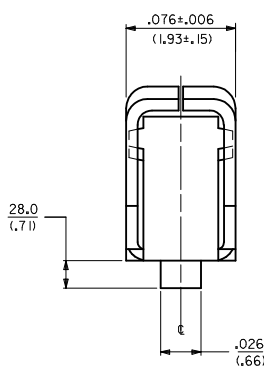
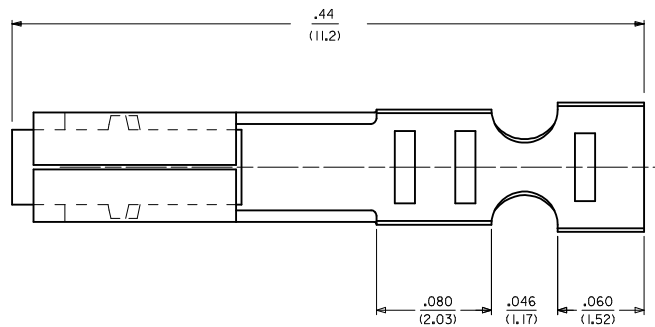
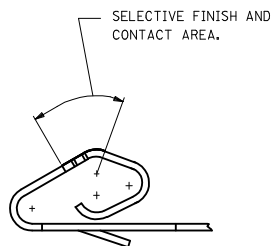
1. MATERIAL: SEE LEGEND.
2. FINISH: SEE LEGEND.
3. THIS PART CONFORMS TO PRODUCT SPEC. 7879.
4. PACKAGING SPECIFICATION: SEE LEGEND
5. CRIMP FOR 24-30 AWG. WIRE WITH .060/(1.52) MAX. INSULATION DIA.
6. THIS TERMINAL TO BE USED IN 7880 HOUSING.
7. DIMENSIONS GIVEN ACROSS CENTERLINES ARE SYMMETRICAL ABOUT THOSE CENTERLINES WITHIN HALF THE TOTAL TOLERANCE.
8. CRIMP WILL ACCEPT 22 AWG. WIRE WITH .062/(1.57) MAX. INSULATION DIA.
9. THIS PART CONFORMS TO CLASS B REQUIREMENTS OF COSMETIC SPECIFICATION PS-45499-002.

LEGEND:

7879-x(***)*
 FORM
 BLANK = REEL, PER WINDING DETAIL B, SEE PK-7879-001
 L = LOOSE, PER PK-2759-001

MATERIAL
 .008/ (0.20) THICK
 1 = BRASS
 2 = PHOS. BRONZE

PLATING
 (P154) OVERALL TIN: .000100/(0.00254) MIN. OVERALL NICKEL UNDERPLATE: .000050/(0.00127) MIN.
 (P208) SELECT GOLD: .000015/(0.00038) MIN. SELECT TIN: .000100/(0.00254) MIN. OVERALL NICKEL UNDERPLATE: .000050/(0.00127) MIN.
 (P228) SELECT GOLD: .000030/(0.00076) MIN. SELECT TIN: .000100/(0.00254) MIN. OVERALL NICKEL UNDERPLATE: .000050/(0.00127) MIN.



ADD PK SPEC EC NO: UCP2015-1323 DRWN:JDFX 2014/09/29 CHKD:MKJPPER 2014/09/26 APPR:FSMITH 2014/10/13	QUALITY SYMBOLS ∇=0 ∇=0 ∇=0	GENERAL TOLERANCES (UNLESS SPECIFIED)		DIMENSION STYLE	SCALE	DESIGN UNITS	THIRD ANGLE PROJECTION	
				IN/MM	---	INCH		
				mm	INCH	DRAWN BY	DATE	TITLE
				4 PLACES ± --- ± ---	± .010	GUZIK	12/22/88	(2.54)/.100 KK, CRIMP TYPE SHROUDED TERMINAL
		3 PLACES ± --- ± .010	± .014	CHECKED BY	DATE			
		2 PLACES ± 0.25 ± 0.36	± ---	PATEL	12/22/88			
		1 PLACE ± 0.36 ± ---	± ---	APPROVED BY	DATE			
		0 PLACE ± ±	±	LENZ	12/22/88			
		ANGULAR ±1/2°		MATERIAL NO.	DOCUMENT NO.	SHEET NO.		
		DRAFT WHERE APPLICABLE MUST REMAIN WITHIN DIMENSIONS		SEE CHART	SD-7879	1 OF 1		
				THIS DRAWING CONTAINS INFORMATION THAT IS PROPRIETARY TO MOLEX INCORPORATED AND SHOULD NOT BE USED WITHOUT WRITTEN PERMISSION				