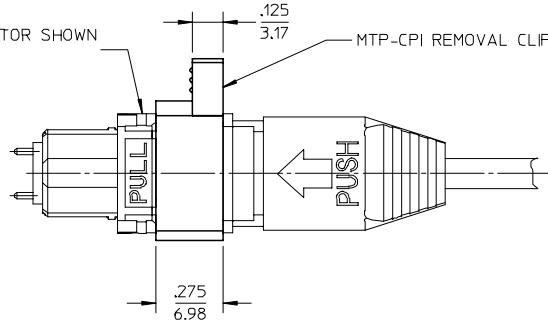
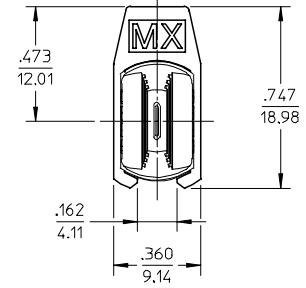


ISO VIEW 1
SCALE 4:1

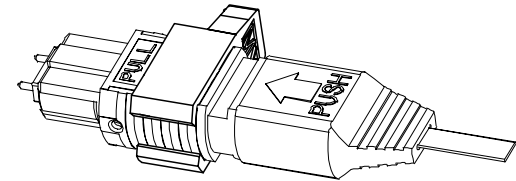
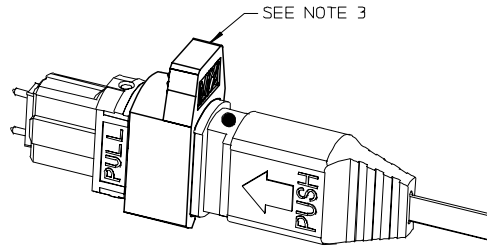
MALE MTP STANDARD CONNECTOR SHOWN
NOT PROVIDED



ISO VIEW 2



ISO VIEW 3



NOTES:

1. ALL DIMENSIONS ARE IN IN/MM.
2. ALL DIMENSIONS ARE FOR REFERENCE.
3. IN ORDER TO INSURE PROPER FUNCTIONALITY
SNAP MTP-CPI REMOVAL CLIP ONTO MTP CONNECTOR
AS SHOWN IN ISO VIEW 2.
4. MTP-CPI REMOVAL CLIP NEEDS TO BE INSTALLED ONTO
MTP CONNECTOR PRIOR TO INSERTING THE MTP CONNECTOR
INTO MTP-CPI CONNECTOR.

| ENTER DESCRIPTION EC NO: MF2006-0261 DRWN: YBELENKIY 2006/01/03 CHKD: SMIGO 2006/01/04 APPR: IMAKHLIN 2006/01/04 A REV | QUALITY SYMBOLS ▽=0 ▽=0 | GENERAL TOLERANCES (UNLESS SPECIFIED) <table border="1"> <tr> <th></th> <th>mm</th> <th>INCH</th> </tr> <tr> <td>4 PLACES</td> <td>± .005</td> <td>± .0004</td> </tr> <tr> <td>3 PLACES</td> <td>± .008</td> <td>± .0003</td> </tr> <tr> <td>2 PLACES</td> <td>± .015</td> <td>± .0006</td> </tr> <tr> <td>1 PLACE</td> <td>± .030</td> <td>± .0012</td> </tr> <tr> <td colspan="3">ANGULAR ± .005°</td> </tr> </table> | | mm | INCH | 4 PLACES | ± .005 | ± .0004 | 3 PLACES | ± .008 | ± .0003 | 2 PLACES | ± .015 | ± .0006 | 1 PLACE | ± .030 | ± .0012 | ANGULAR ± .005° | | | DIMENSION STYLE IN/MM | SCALE 2:1 | DESIGN UNITS INCH | THIRD ANGLE PROJECTION |
|--|-------------------------------|--|------------------|-------------------------------|--------------------------------|---------------------|--------|---------|----------|--------|---------|----------|--------|---------|---------|--------|---------|-----------------|--|--|--------------------------|--------------|----------------------|------------------------|
| | | mm | INCH | | | | | | | | | | | | | | | | | | | | | |
| | 4 PLACES | ± .005 | ± .0004 | | | | | | | | | | | | | | | | | | | | | |
| | 3 PLACES | ± .008 | ± .0003 | | | | | | | | | | | | | | | | | | | | | |
| 2 PLACES | ± .015 | ± .0006 | | | | | | | | | | | | | | | | | | | | | | |
| 1 PLACE | ± .030 | ± .0012 | | | | | | | | | | | | | | | | | | | | | | |
| ANGULAR ± .005° | | | | | | | | | | | | | | | | | | | | | | | | |
| | | DRAWN BY YB | DATE 12.28.05 | TITLE MTP-CPI REMOVAL CLIP | | | | | | | | | | | | | | | | | | | | |
| | | CHECKED BY SM | DATE 12.28.05 | MOLEX INCORPORATED | | | | | | | | | | | | | | | | | | | | |
| | | APPROVED BY IM | DATE 12.28.05 | MATERIAL NO. 1060880800 | DOCUMENT NO. SD-106088-0800 | SHEET NO. 1 OF 1 | | | | | | | | | | | | | | | | | | |

DRAFT WHERE APPLICABLE
MUST REMAIN
WITHIN DIMENSIONS

THIS DRAWING CONTAINS INFORMATION THAT IS PROPRIETARY TO MOLEX INCORPORATED AND SHOULD NOT BE USED WITHOUT WRITTEN PERMISSION