

4

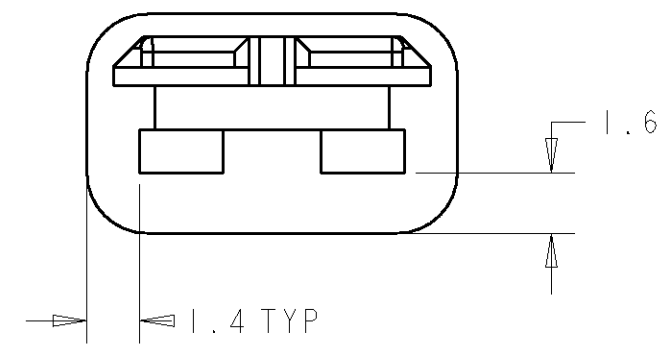
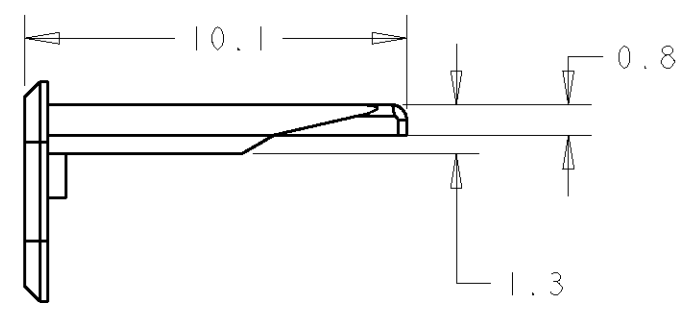
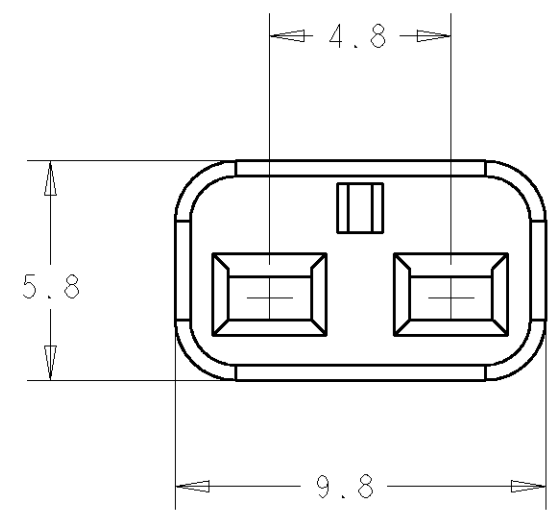
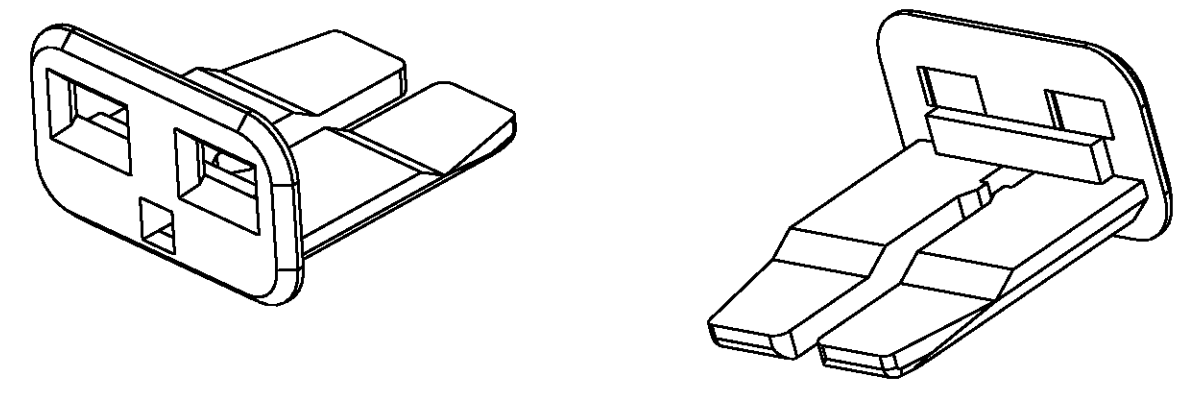
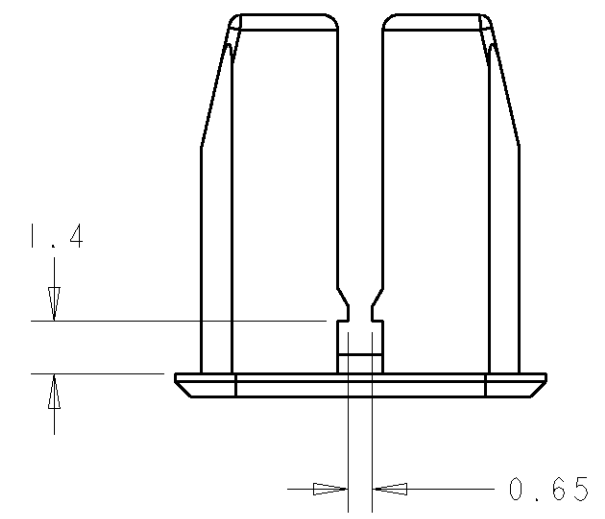
3

2

1

THIS DRAWING IS UNPUBLISHED. RELEASED FOR PUBLICATION 20
 © COPYRIGHT 20 BY TYCO ELECTRONICS CORPORATION. ALL RIGHTS RESERVED.

LOC	DIST	REVISIONS				
P	LTR	DESCRIPTION	DATE	DWN	APVD	
E	B	A	EBA0-0024-03	30/07/03	MJG	BB



NOTE:
 THIS PART IS USED ON Pt No 344276

YELLOW	NYLON 66	345254-1
COLOUR	MATERIAL	PART NO

<small>THIS DRAWING IS A CONTROLLED DOCUMENT FOR TYCO ELECTRONICS CORPORATION IT IS SUBJECT TO CHANGE AND THE CONTROLLING ENGINEERING ORGANIZATION SHOULD BE CONTACTED FOR THE LATEST REVISION.</small>		DWN M.GREENER 30JUL2003 CHK M.HARRIS 30JUL2003 APVD B.BAKER 30JUL2003	tyco Electronics		Tyco Electronics UK Ltd, Stanmore, Middx, HA7 4RS.
DIMENSIONS: mm	TOLERANCES UNLESS OTHERWISE SPECIFIED: 0 PLC ±- 1 PLC ±0.5 2 PLC ±0.5 3 PLC ±0.5 4 PLC ±- ANGLES ±2 FINISH -	PRODUCT SPEC - APPLICATION SPEC - WEIGHT -	NAME ANTI BACKOUT FOR 2 WAY REC HSG ECONOSEAL 3 LOW CURRENT		
MATERIAL SEE TABLE			SIZE A3 CAGE CODE 00779 DRAWING NO C-345254	RESTRICTED TO -	
CUSTOMER DRAWING			SCALE 6:1	SHEET 1 OF 1	REV A