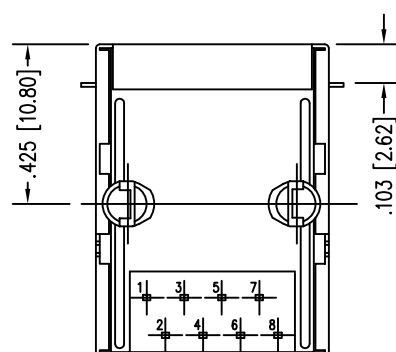
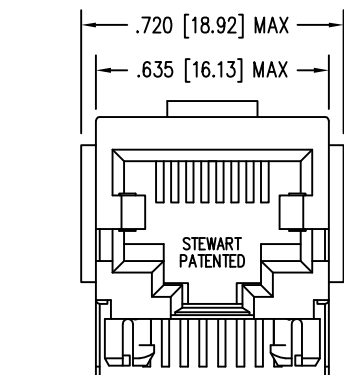
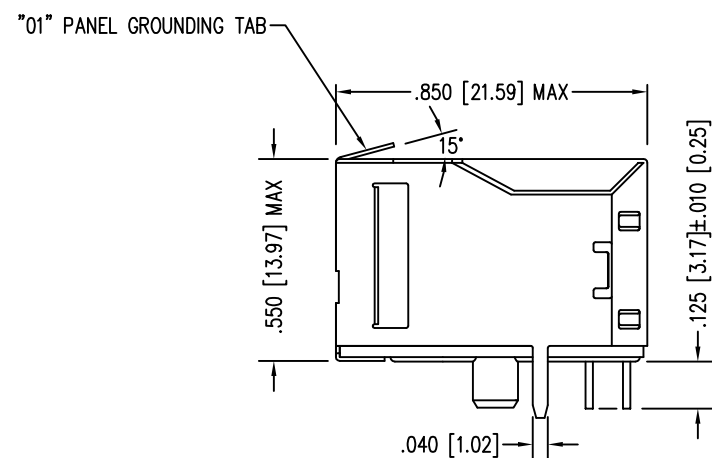


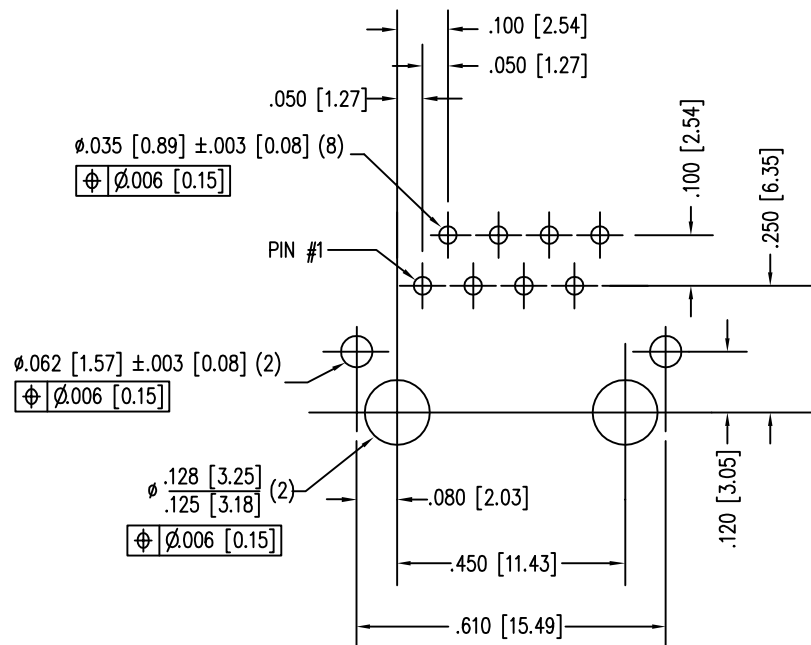
| DATE | REV | ECN | APP'D. BY |
|---------|-----|-------|-----------|
| 2/2/06 | A2 | 7457 | JM |
| 3/21/06 | A3 | 7549 | SAW |
| 6/11/12 | A4 | 9508 | SMN |
| 1/16/15 | A5 | 10207 | TRM |

B

B



PIN POSITION LAYOUT IS IDENTICAL TO STANDARD JACKS



P.C.B. RECOMMENDED HOLE LAYOUT SEEN FROM COMPONENT SIDE
ALL CENTERLINE DIMENSIONS ARE BASIC.

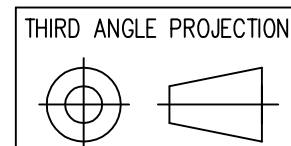
NOTES:

- CONNECTOR MATERIALS:
HOUSING: THERMOPLASTIC UL94 V-0
CONTACTS/SHIELD: COPPER ALLOY
SHIELD PLATING: NICKEL OR TIN
CONTACT PLATING: SELECTIVE GOLD IN CONTACT AREA
SEE CHART FOR PART NUMBER
- FOR PRODUCT SPECIFICATIONS SEE PRO22-01.
- DIMENSIONS AND TOLERANCES COMPLY WITH FCC/CFR 47, PART 68.
- DESIGNED FOR CATEGORY 5/5e APPLICATIONS.

| | |
|--------------------------------|-------------------|
| 30 MICRO-INCHES [0.76um] | SS-7188S-A-FLS-01 |
| CONTACT PLATING IN MATING AREA | PART NUMBER |

A

A



DO NOT SCALE DRAWING
DRAWING IS SUBJECT TO CHANGE WITHOUT NOTICE

DIMENSIONS: INCHES [METRIC]
UNLESS OTHERWISE SPECIFIED TOLERANCES ARE ±.005 [0.13] ANGLES ARE ± 1°

SHEET NO. 1 OF 1

TITLE: EIGHT CONTACT, EIGHT POSITION, SHIELDED CAT 5/5e JACK FLANGE, PANEL GROUNDING TAB @ 15°

| | |
|------------------|--------------|
| DRN BY: KRL | DATE 3/20/06 |
| APPD BY: SAW | DATE 3-21-06 |
| DWG NO. CT710015 | REV. A5 |



REV. 6/3/05