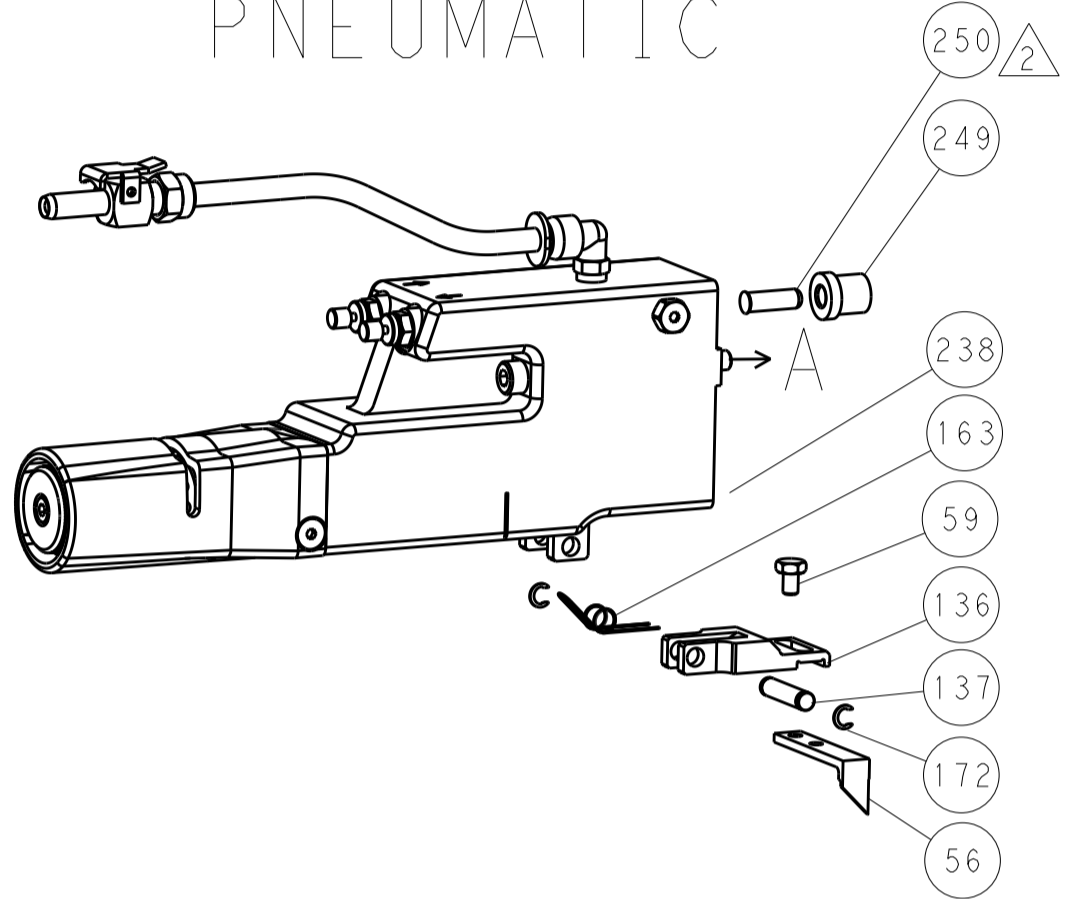


LOC		DIST		REVISIONS			
A	66	P	LTN	DESCRIPTION	DATE	DWN	APVD
		-		SEE SHEET 1			

FEED TYPE MECHANICAL



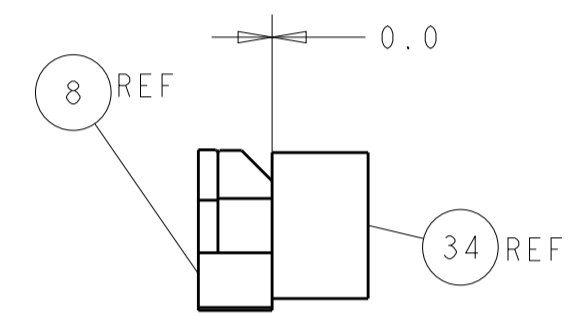
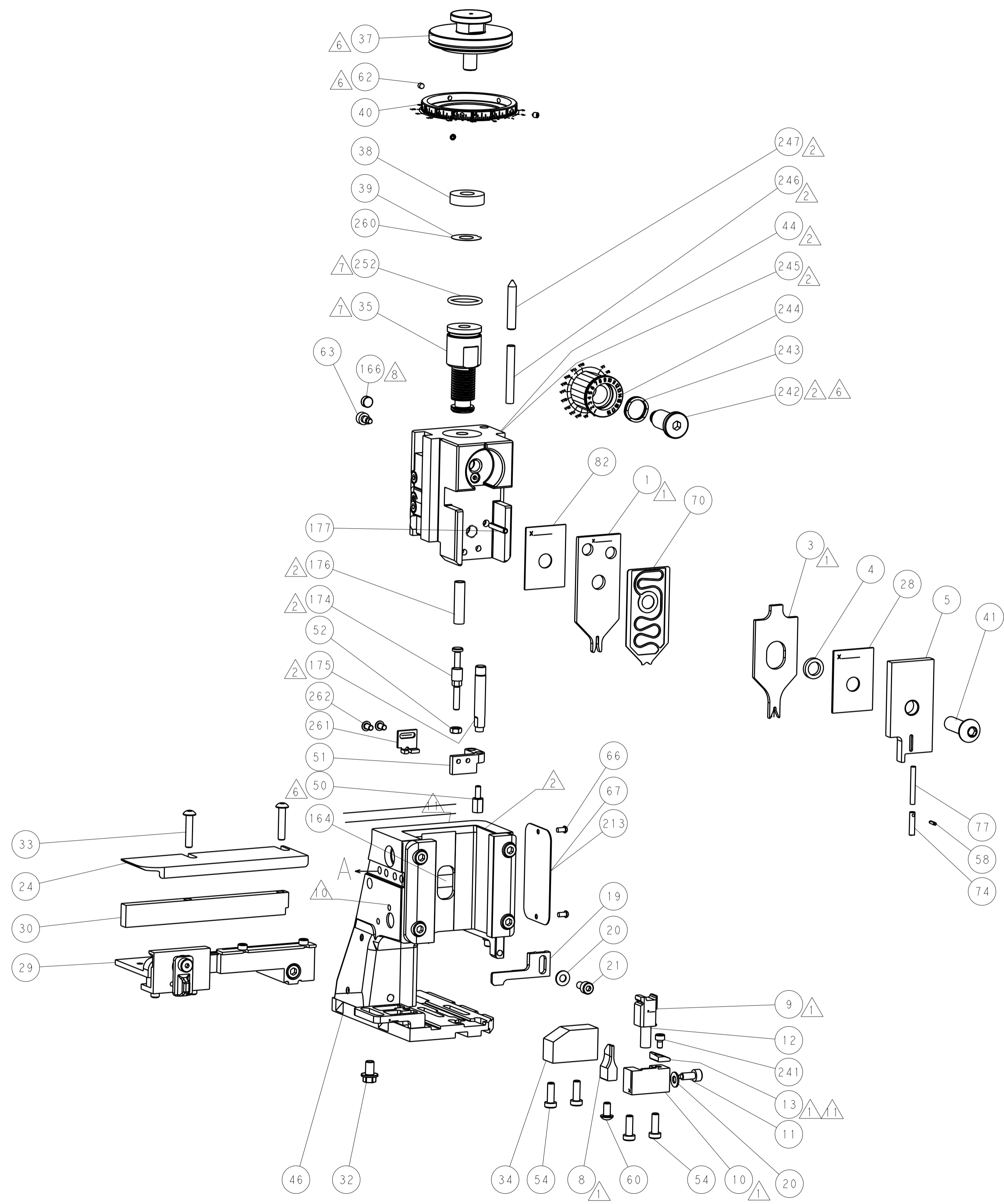
PNEUMATIC



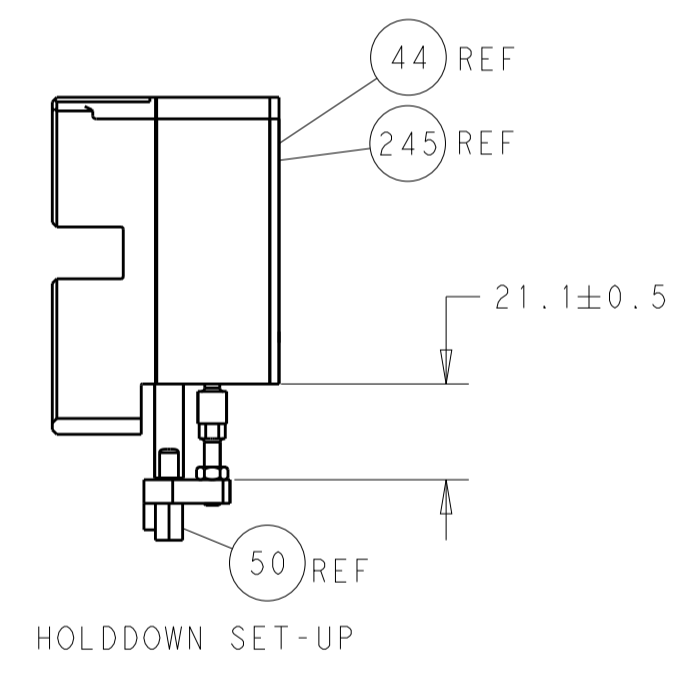
SERVO LATCH PLATE



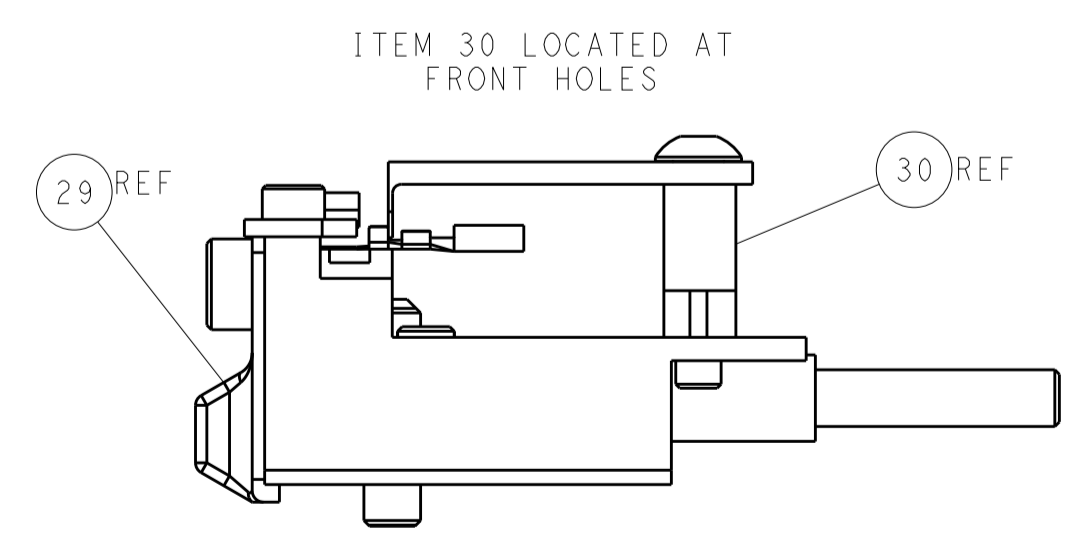
CAM POSITIONS



TERMINAL SUPPORT LOCATION



HOLDDOWN SET-UP



FEED TRACK POSITION GUIDE BY INSULATION BARREL

ATLANTIC VERSION
 Shown on sheets 1 of 4 & 2 of 4
 (Pacific version shown on sheets 3 of 4 & 4 of 4)

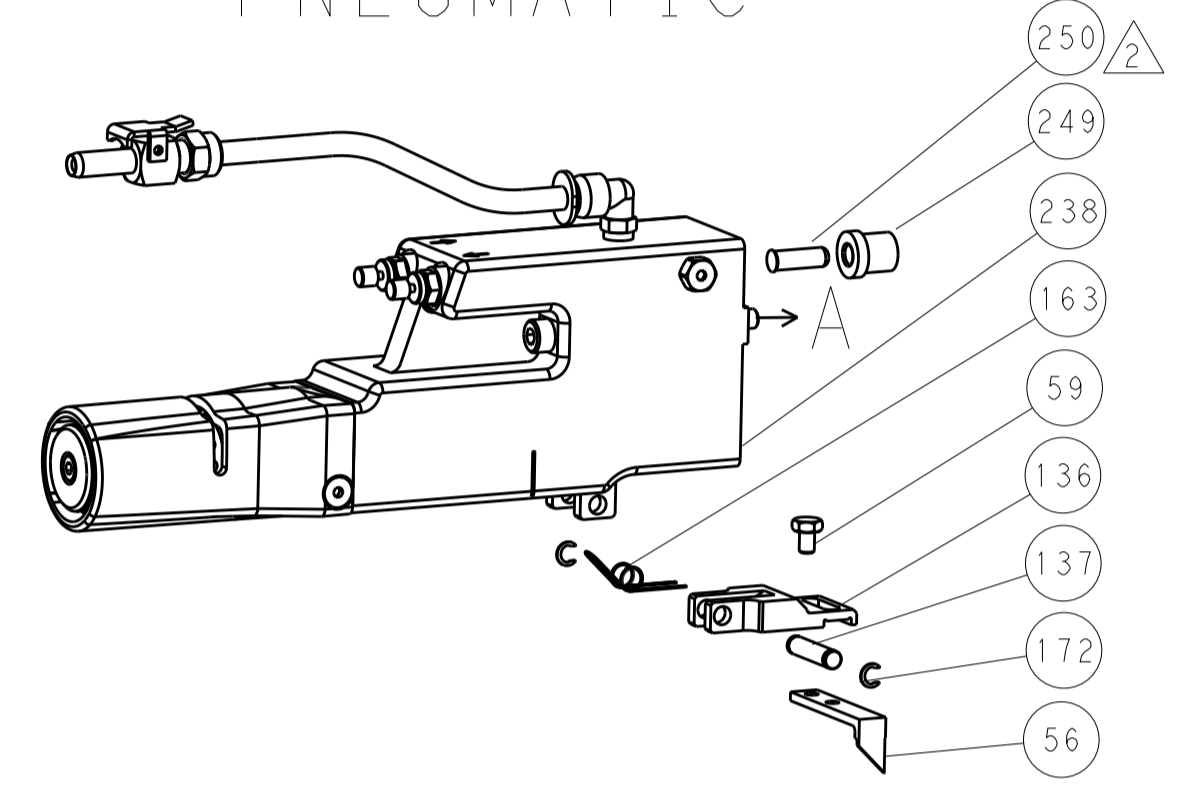
DIMENSIONS:		TOLERANCES UNLESS OTHERWISE SPECIFIED:		DWN C. CHEN 19APR2011		TE Connectivity	
mm	0 PLC ±	1 PLC ±	2 PLC ±	3 PLC ±	4 PLC ±	Harrisburg, PA 17105-3608	
MATERIAL:		FINISH:		CHK S. XI 19APR2011		NAME Ocean Side Feed Applicator	
				APVD J. CRUZ 19APR2011		SIZE CAGE CODE DRAWING NO RESTRICTED TO	
				PRODUCT SPEC		A1 00779 ©=2151327	
				APPLICATION SPEC		SCALE 1:2 SHEET 2 OF 4 REV A2	
				WEIGHT		CUSTOMER DRAWING	

REVISONS		DATE	OWN	APVD
LOC	DIST			
A	66			
P	LTM	DESCRIPTION		
-	-	SEE SHEET 1	-	-

FEED TYPE MECHANICAL



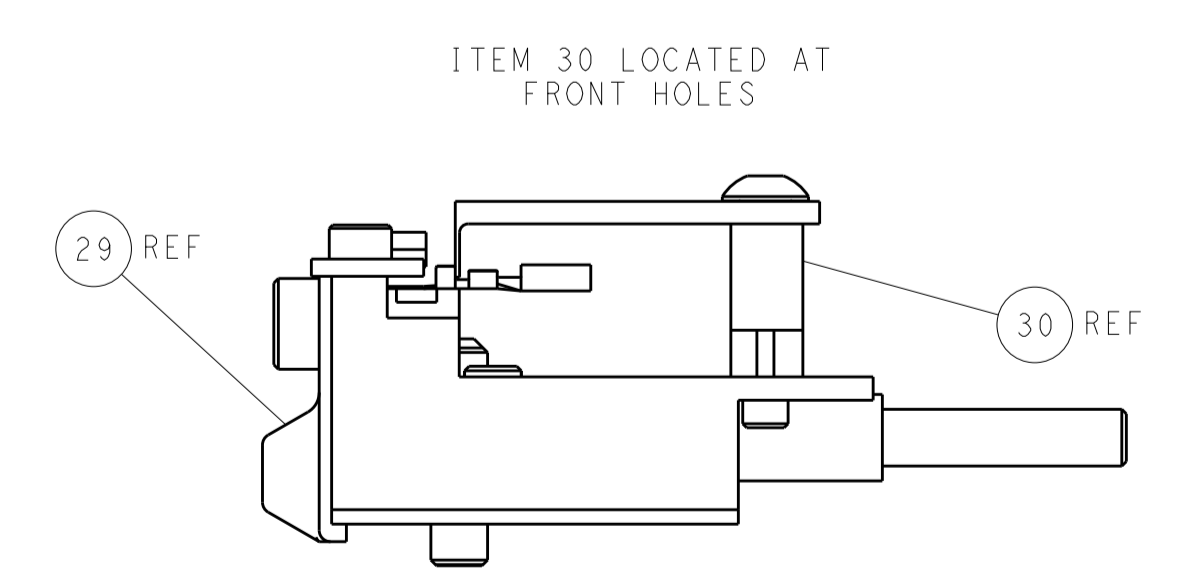
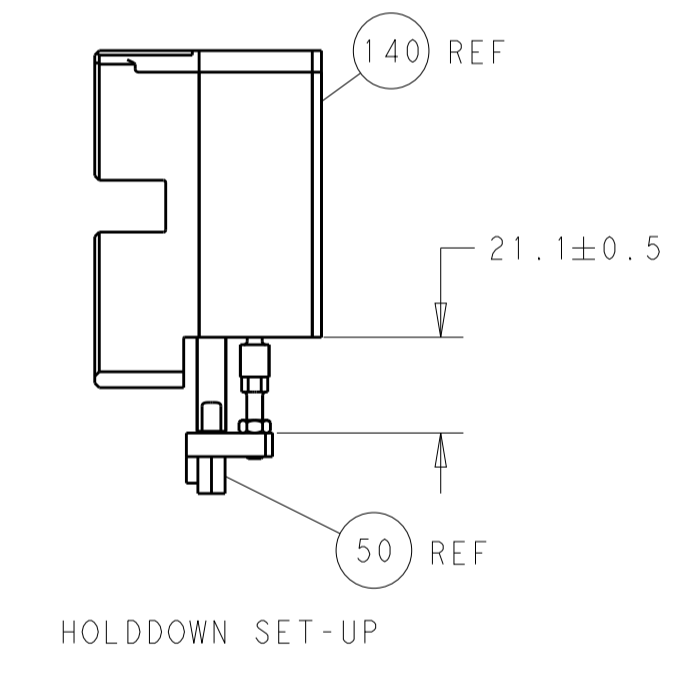
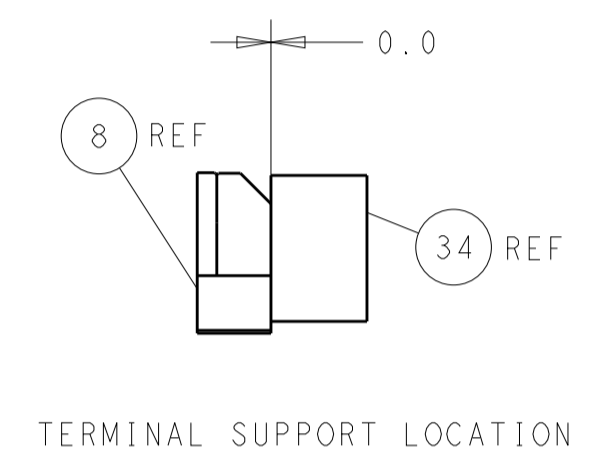
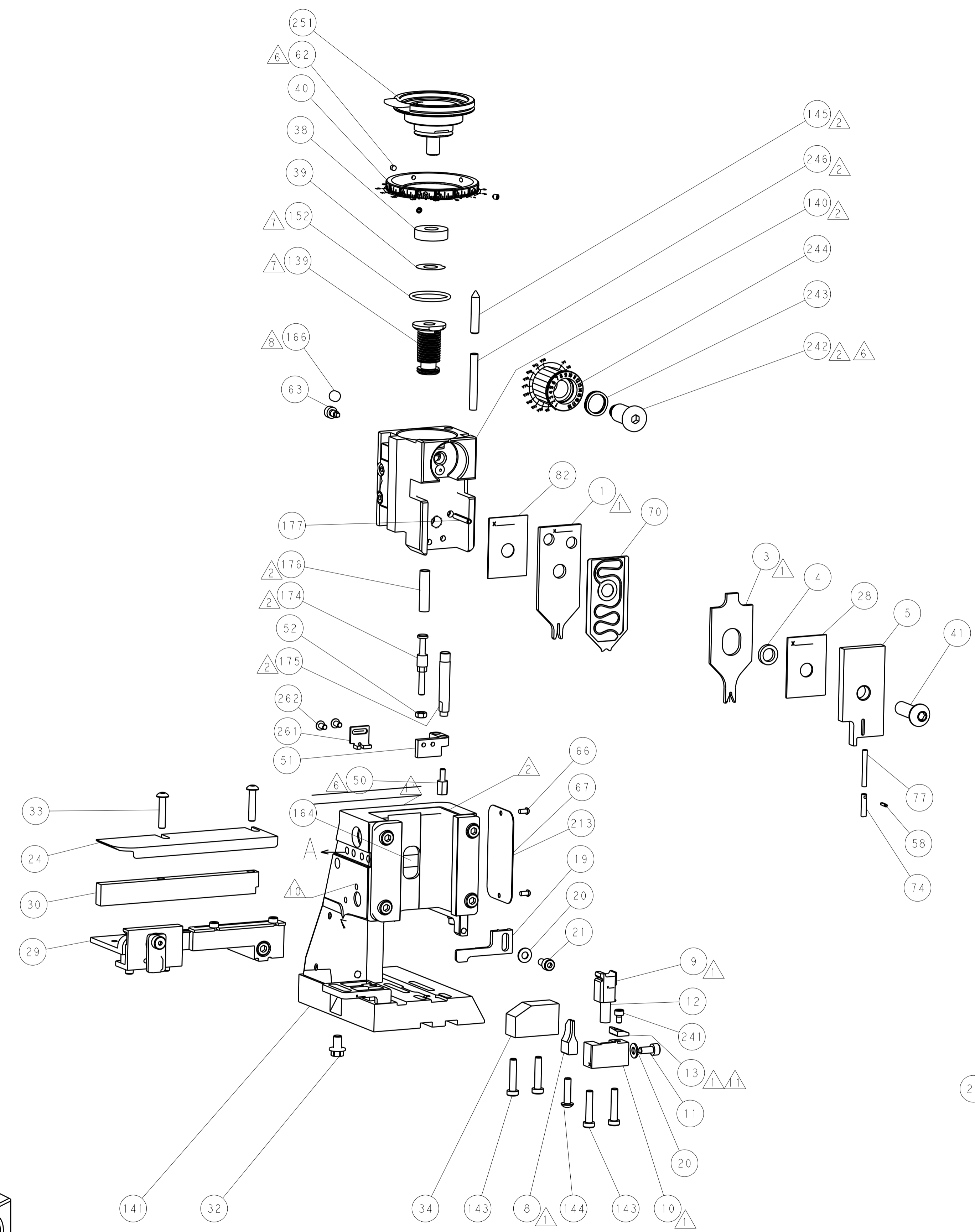
PNEUMATIC



SERVO LATCH PLATE



CAM POSITIONS



PACIFIC VERSION
 Shown on sheets 3 of 4 & 4 of 4
 (Atlantic version shown on sheets 1 of 4 & 2 of 4)

DIMENSIONS:		TOLERANCES UNLESS OTHERWISE SPECIFIED:		DWN C. CHEN 19APR2011		TE Connectivity Harrisburg, PA 17105-3608	
mm	0 PLC	±		CHK S. XI 19APR2011	NAME	Ocean Side Feed Applicator	
	1 PLC	±		APVD J. CRUZ 19APR2011	PRODUCT SPEC	SIZE	CAGE CODE DRAWING NO
	2 PLC	±		APPLICATION SPEC	WEIGHT	A1	00779 C=2151327
	3 PLC	±		ANGLES	CUSTOMER DRAWING	SCALE	1:2 SHEET 4 OF 4 REV A2
	4 PLC	±					