

PART NAME: KNOB SCALE: 1:1 DATE: 6/1/94 DR. BY HD

THIS DRAWING IS THE PROPERTY OF DAVIES MOLDING COMPANY, IS SUBMITTED SOLELY AS A DESIGN OR ENGINEERING PROJECT. WE ACCEPT NO RESPONSIBILITY WHATSOEVER FOR THE PRACTICAL APPLICATION OF THE PIECES MADE TO THIS DESIGN.

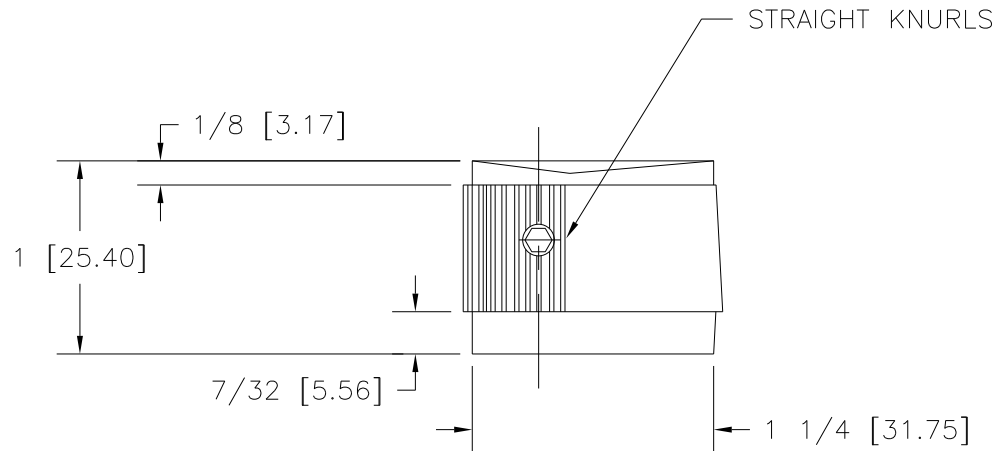
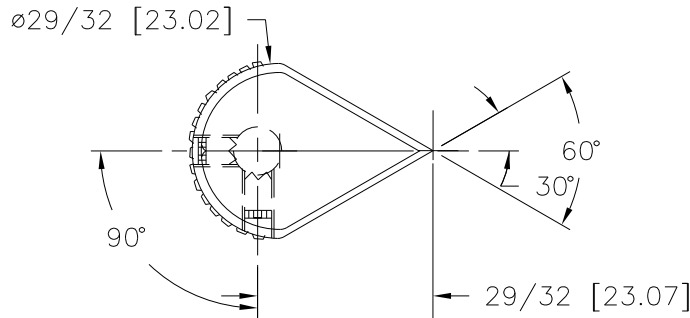


DESIGNERS & MANUFACTURERS OF KNOBS, HANDLES, CASES & CUSTOM PLASTIC COMPONENTS

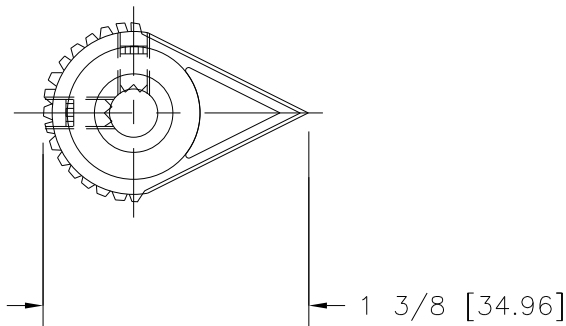
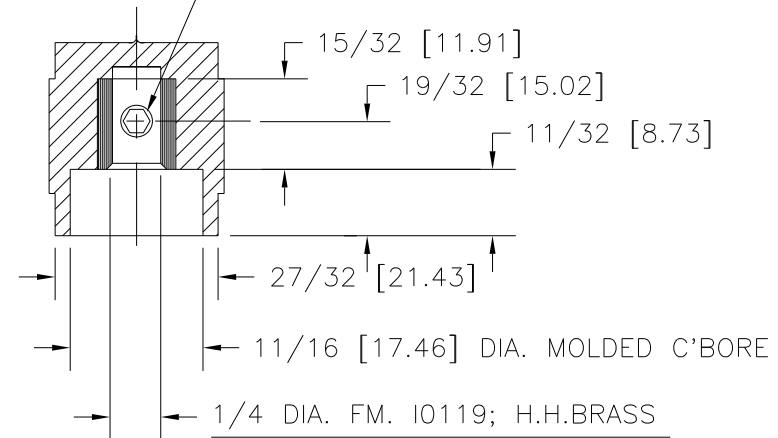
P/N 8010-E

BASE PART 8010-01

SET SCREW I1266



C'SK; USE # 28 DR.(.140 DIA.); 8-32 TAP.
8-32 X 1/4 LG. THD'D. CUP POINTED, HEADLESS, SOCKET, SET SCREW I1266, TWO(2) REQ'D. AS SHOWN 90° APART



Ⓐ MATERIAL: NYLON 6/6 (CLC) Ⓑ
COLOR: BLACK

TOLERANCES: UNLESS OTHERWISE SPECIFIED	DO NOT SCALE DRAWING	B	ADDED MAT. CODE	DS	1/24/07
DECIMALS: X.XXX ± .005 X.XX ± .015	MM: X.XX ± 0.15MM X.X ± 0.4MM	-	UPDATED TOOLBOX	JAM	11/25/02
FRACTIONS ± 1/64	ANG. ± 1°	A	Was ABS Material	TS	8/12/98
CHANGES					