

5

4

3

2

1

D

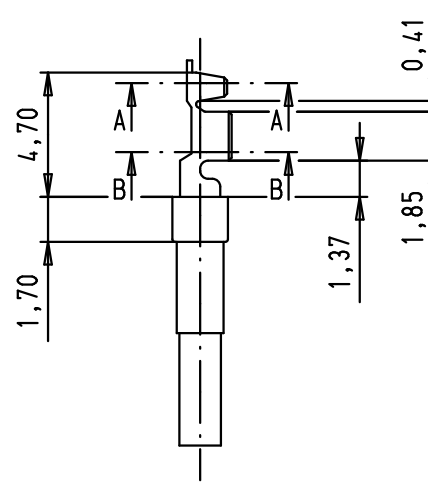
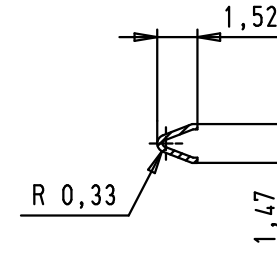
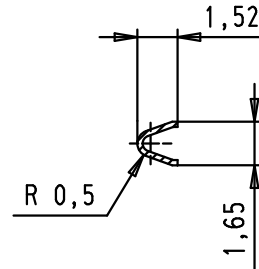
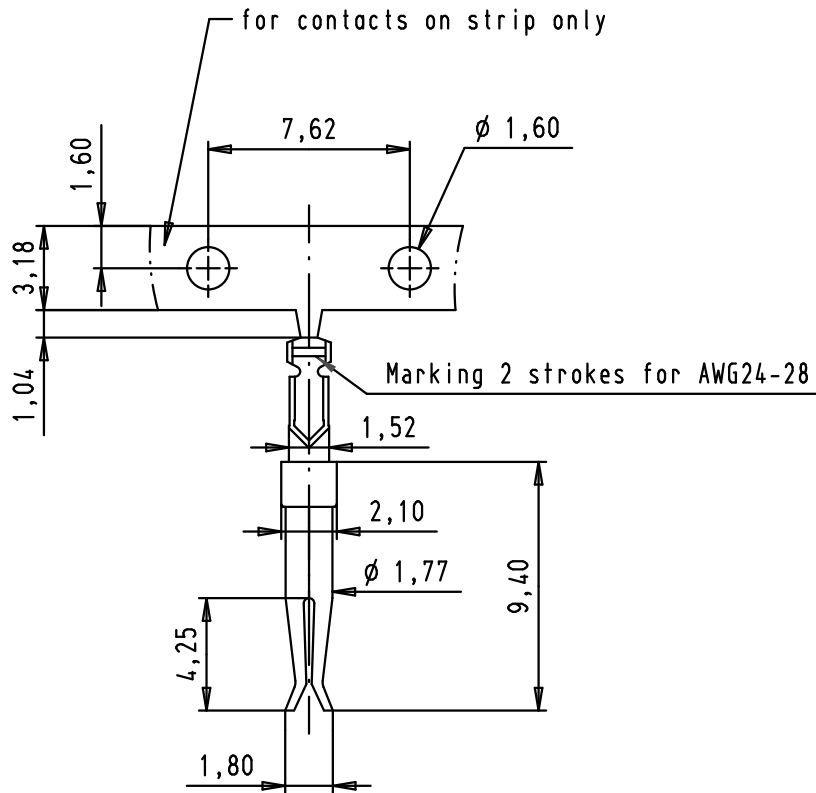
C

B

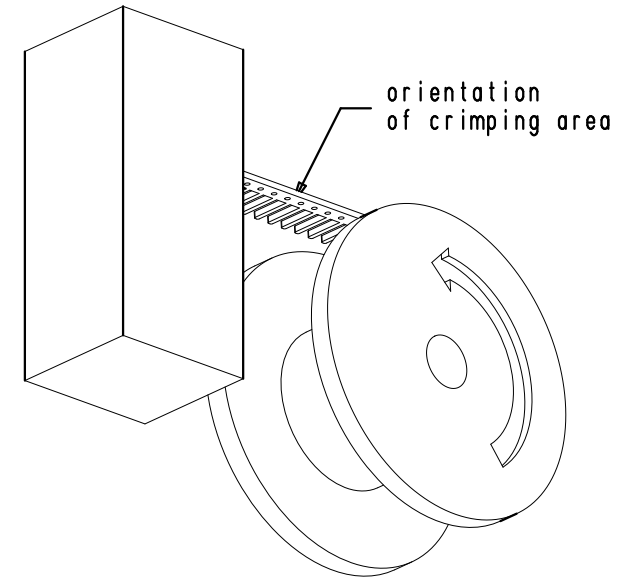
A

Section A-A

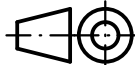

Section B-B



Reel unrolling right reversed



Base material: brass
 Plating: sliding contact selective gold plated over nickel
 nickel plated crimp area
 Number of contacts per reel: 10000

			Det.	Name	 All Dim. in mm Orig. Size DIN A 4	
			Detail.	24/03/03		PP
36288	13/01/12	SD	Insp.	13/01/12		JB
33986	23/04/07	PK	Stand.			
						
			HARTING EURL			
			F-95972 Paris			
Mod.	Det.	Name				

D-Sub, stamped female AWG 24-28 crimp contact, reel unrolling right reversed	Maßstab/ Scale 3,5:1
	Blatt/ Page 1 / 1
TB 09 67 000 723X	
Sub.	

09 67 000 7238	PL2
09 67 000 7237	PL3
09 67 000 7236	PL1
Part number	Performance level