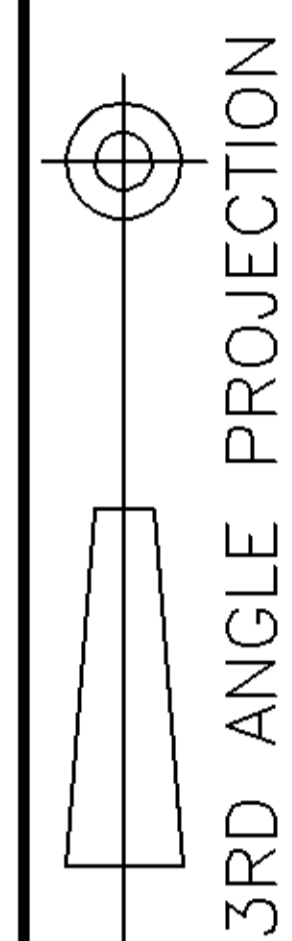


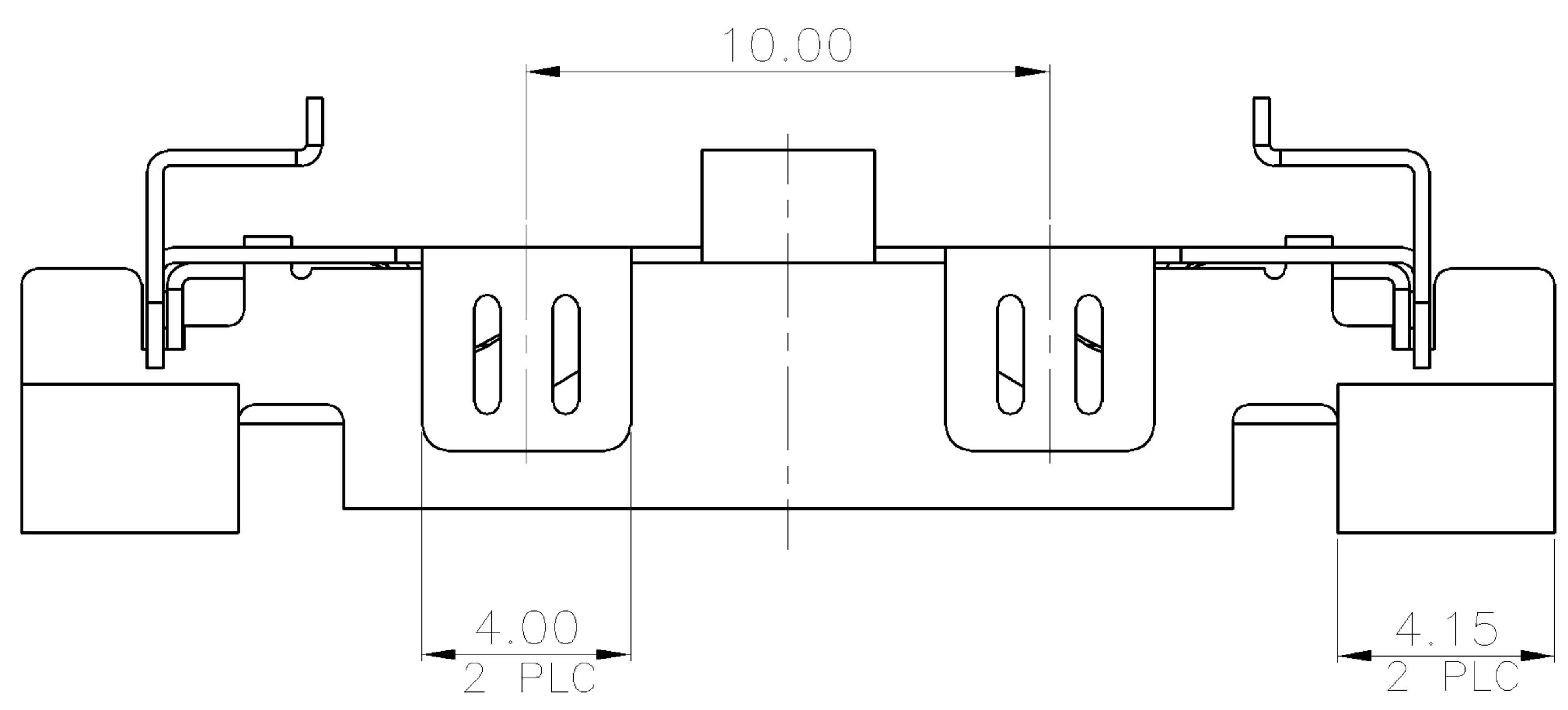
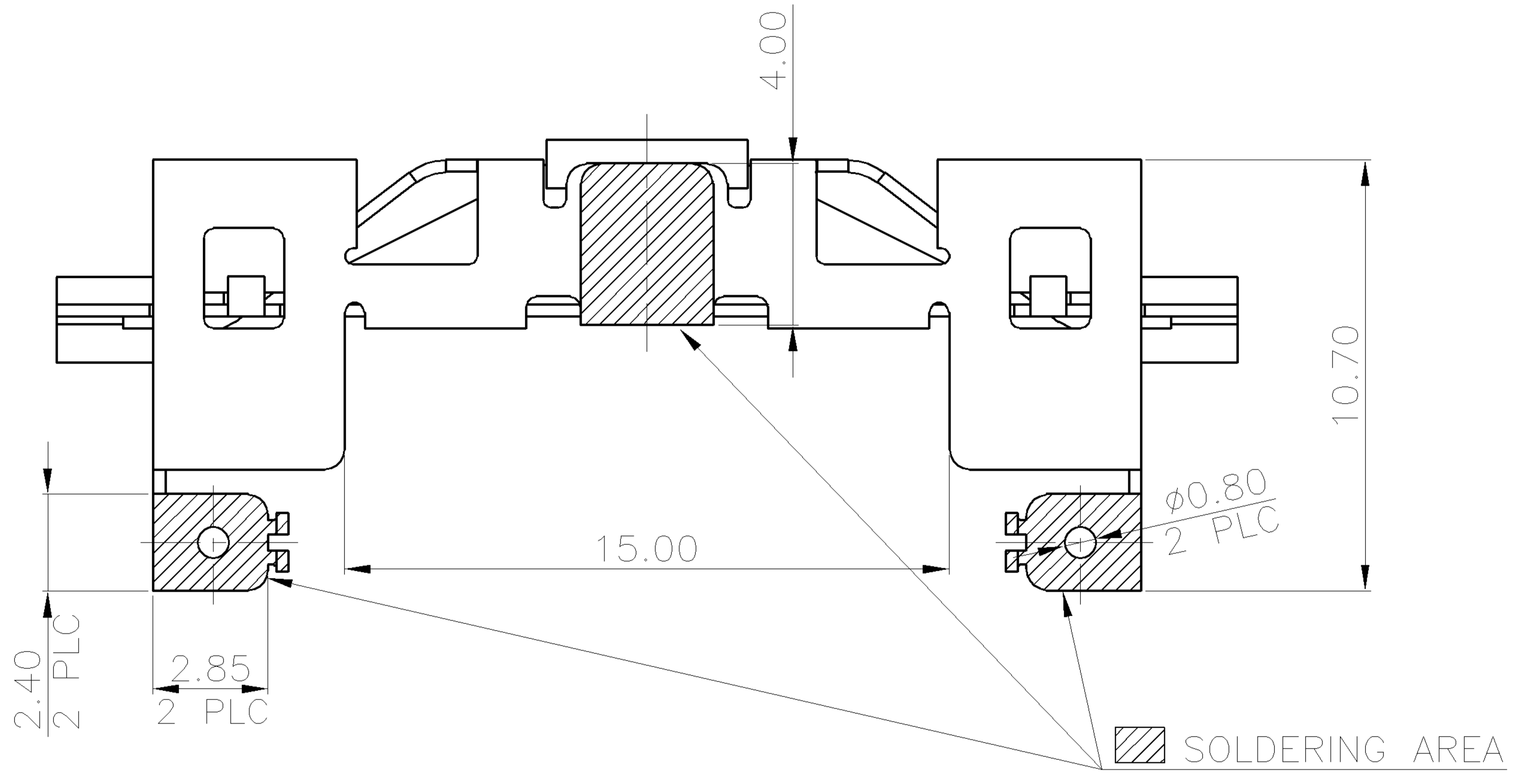
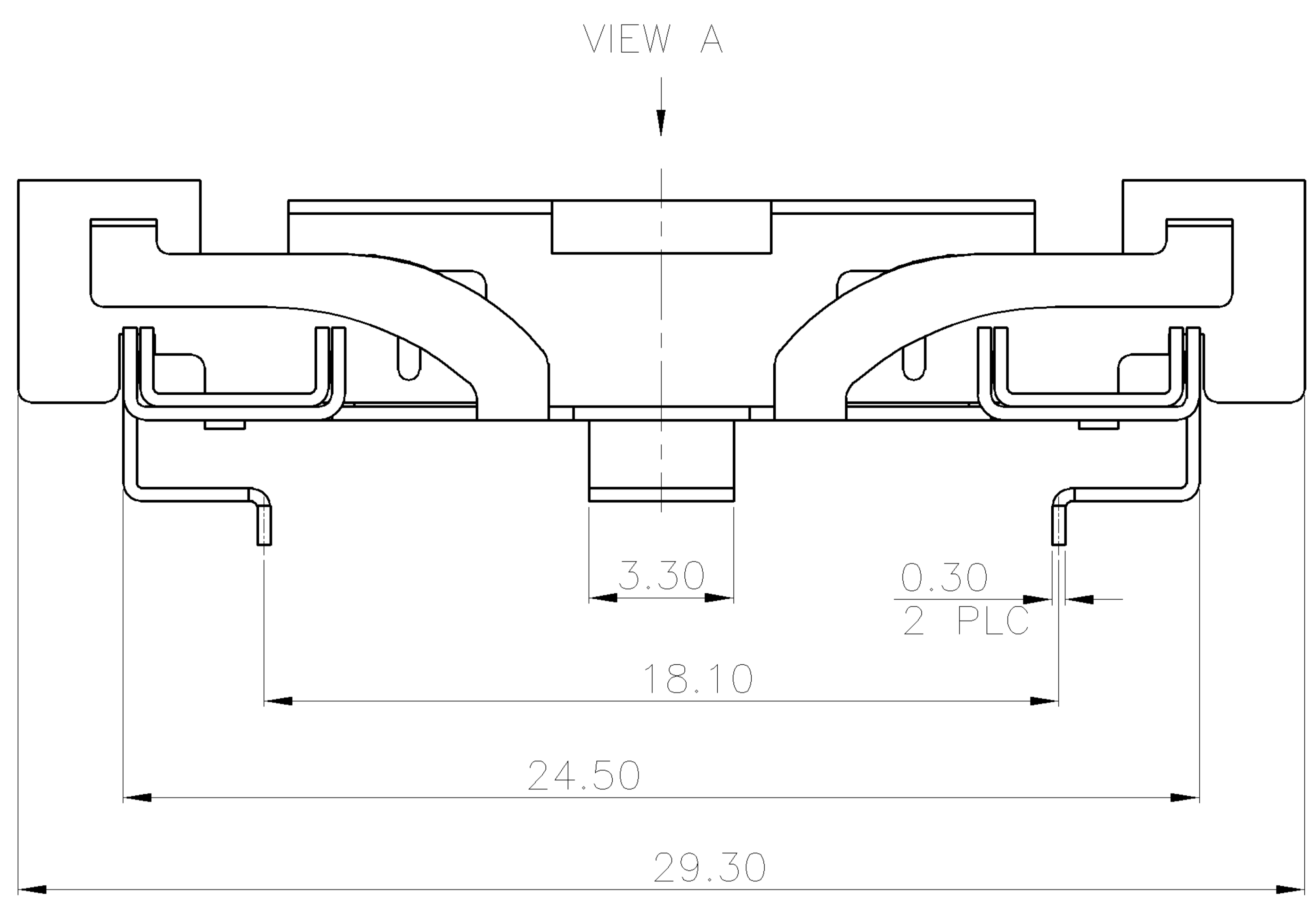
NUMBER
C-1775129



METRIC

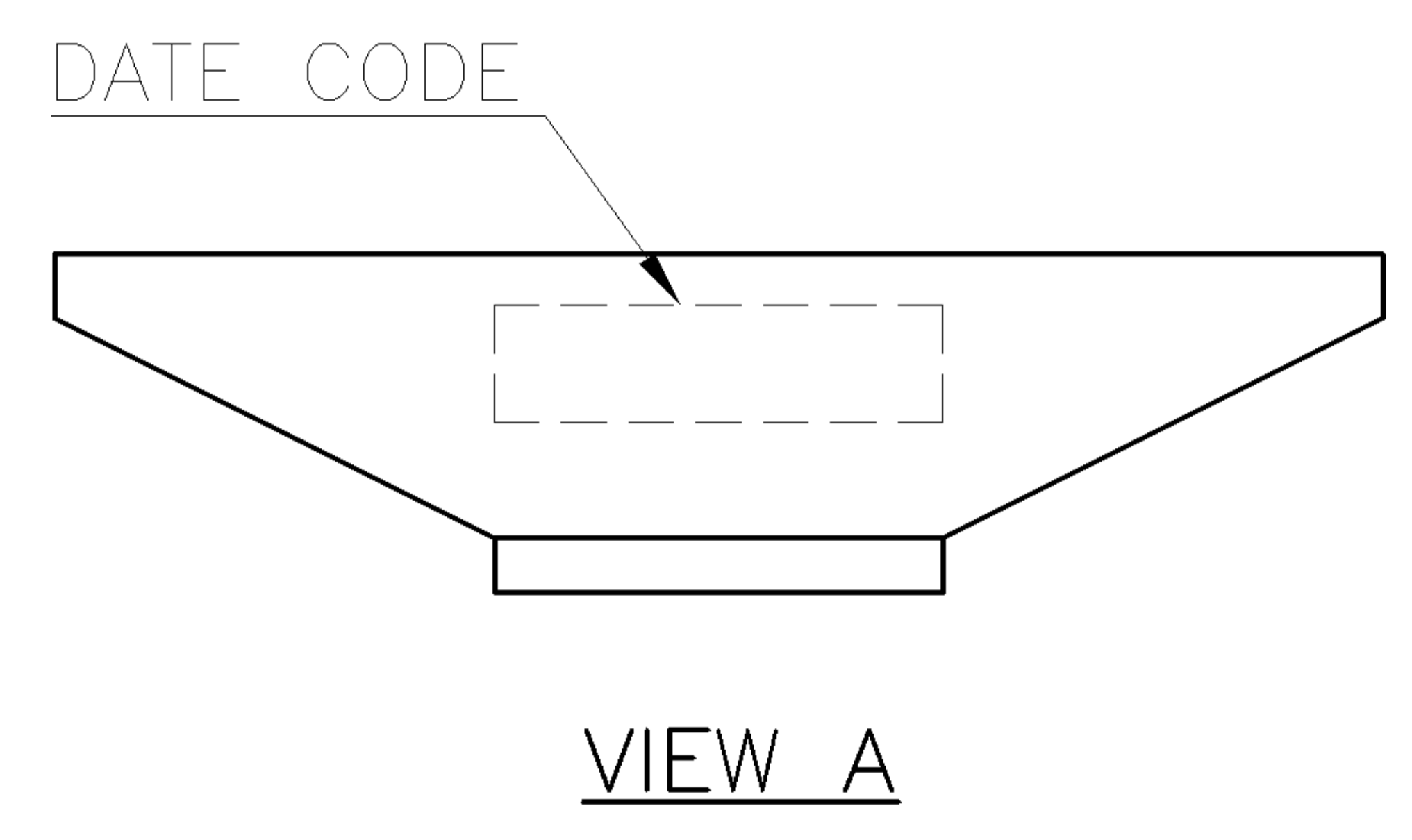
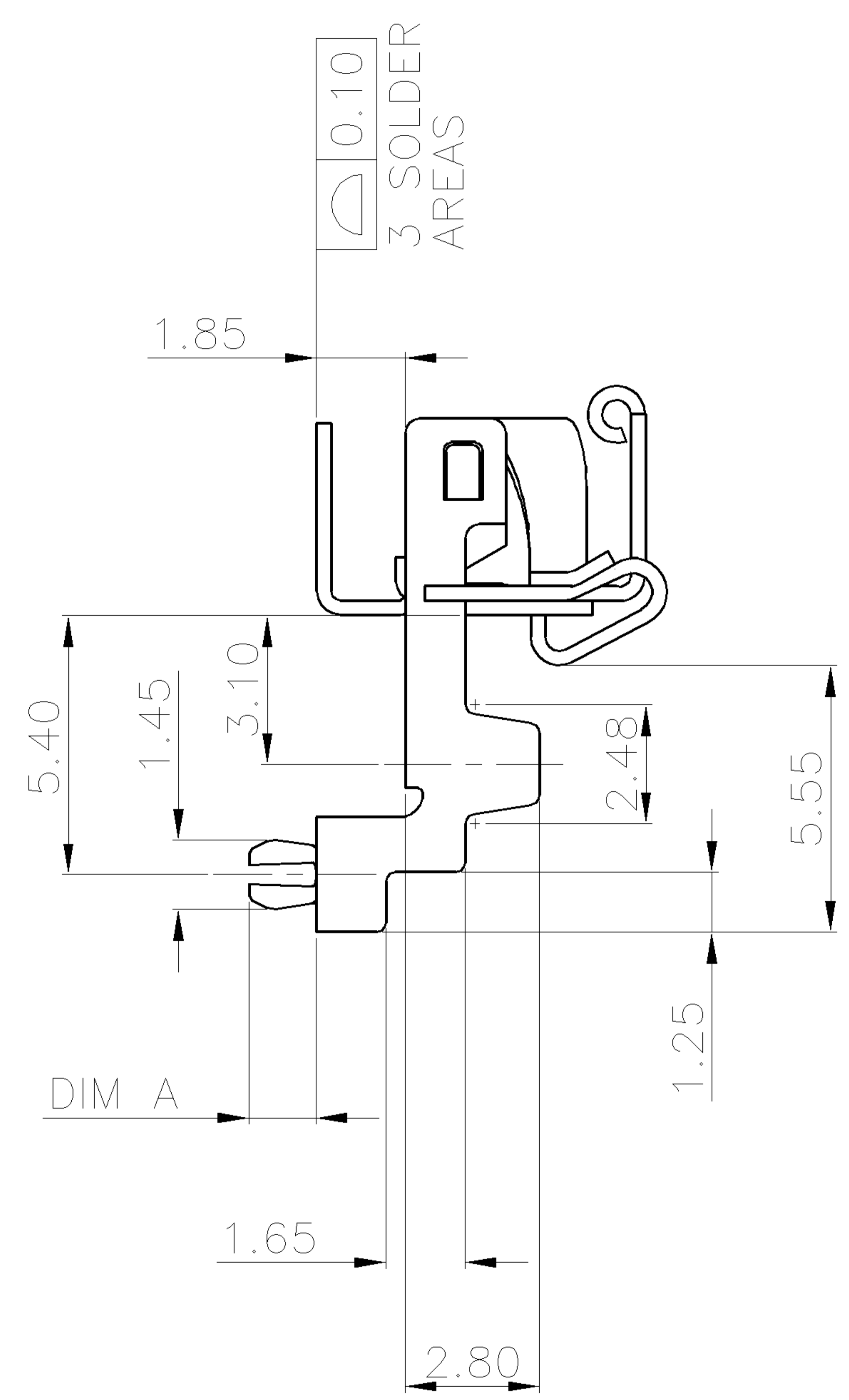
THIS INFORMATION IS CONFIDENTIAL AND IS DISCLOSED TO YOU ON CONDITION THAT NO FURTHER DISCLOSURE IS MADE BY YOU TO OTHER THAN AMP PERSONNEL WITHOUT WRITTEN AUTHORIZATION FROM AMP (TAIWAN) LTD. DIMENSIONS IN MILLIMETERS. DO NOT SCALE PRINT.

PRINT
DW



NOTES:

1. MATERIAL: STAINLESS STEEL.
2. FINISH: GOLD FLASH PLATING ON SOLDERING AREA, 1.27μm [50μ"] MIN. NICKEL UNDERPLATED ALL OVER.
3. CONNECTOR PART NUMBERS: (SEE DRAWING# 1775128)
4. FOR MINI PCI EXPRESS 6.7 HEIGHT.
5. REFLOW SOLDER CAPABLE TO 260°C AS PER TYCO SPEC. 109-201, CONDITION B.



1.00	1775129-2
1.40	1775129-1
DIM A	PART NUMBER

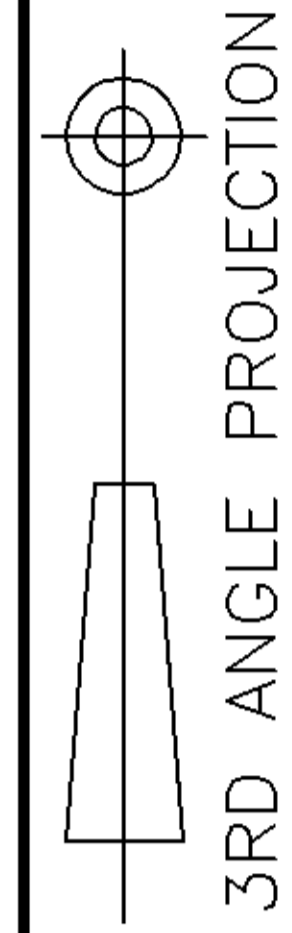
TOLERANCES UNLESS OTHERWISE SPECIFIED: 0 PLC ±- 1 PLC ±0.25 2 PLC ±0.2 3 PLC ±0.15 ANGLES ±3'		DWN A. WU 17-JUL-2006	tyco TYCO HOLDINGS (BERMUDA) Electronics VII LTD. TAIWAN BRANCH	
MATERIAL SEE NOTE		CHK S. HOU 17-JUL-2006	NAME LATCH ASSEMBLY, MINI PCI EXPRESS, 52 POS.	
FINISH SEE NOTE		APVD W.J. KE 17-JUL-2006	LOC DW	REV A
		PRODUCT SPEC -	SIZE A ₃	DRAWING NO C-1775129
		QUALIFICATION TEST REPORT -	SCALE --	SHEET 1 OF 3
		WEIGHT 1.1 GRAMS	OBsolete NOT the LATEST REVISION	

A	REVISED	ECR-06-017125	AW SH	14JUL 2006
O	FIRST RELEASED	--	AW SH	03AUG 2005
LTR	REVISION RECORD	ECN	DWN CHK	DATE

THIS INFORMATION IS CONFIDENTIAL AND IS DISCLOSED TO YOU ON CONDITION THAT NO FURTHER DISCLOSURE IS MADE BY YOU TO OTHER THAN AMP PERSONNEL WITHOUT WRITTEN AUTHORIZATION FROM AMP (TAIWAN) LTD. DIMENSIONS IN MILLIMETERS. DO NOT SCALE PRINT.

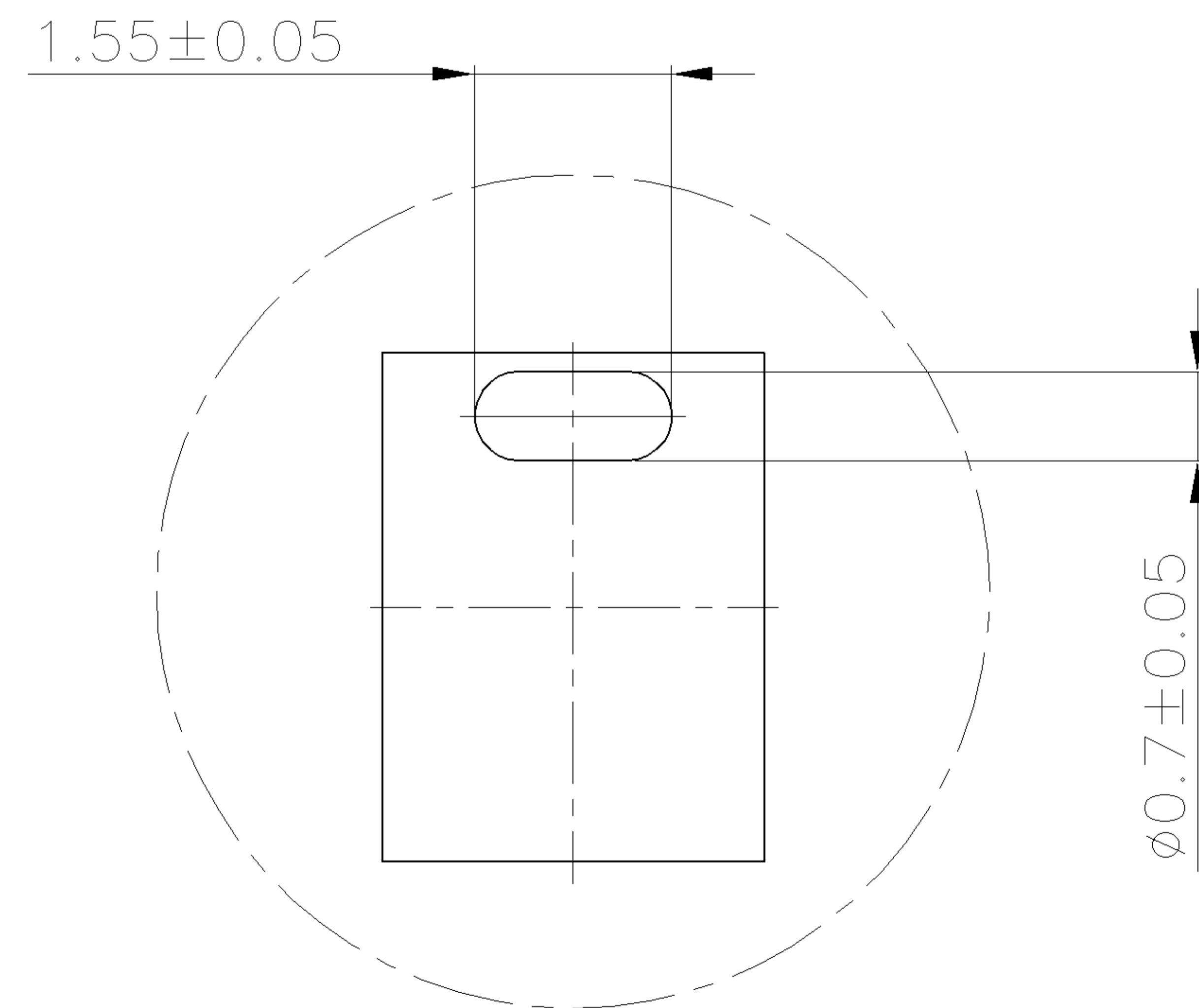
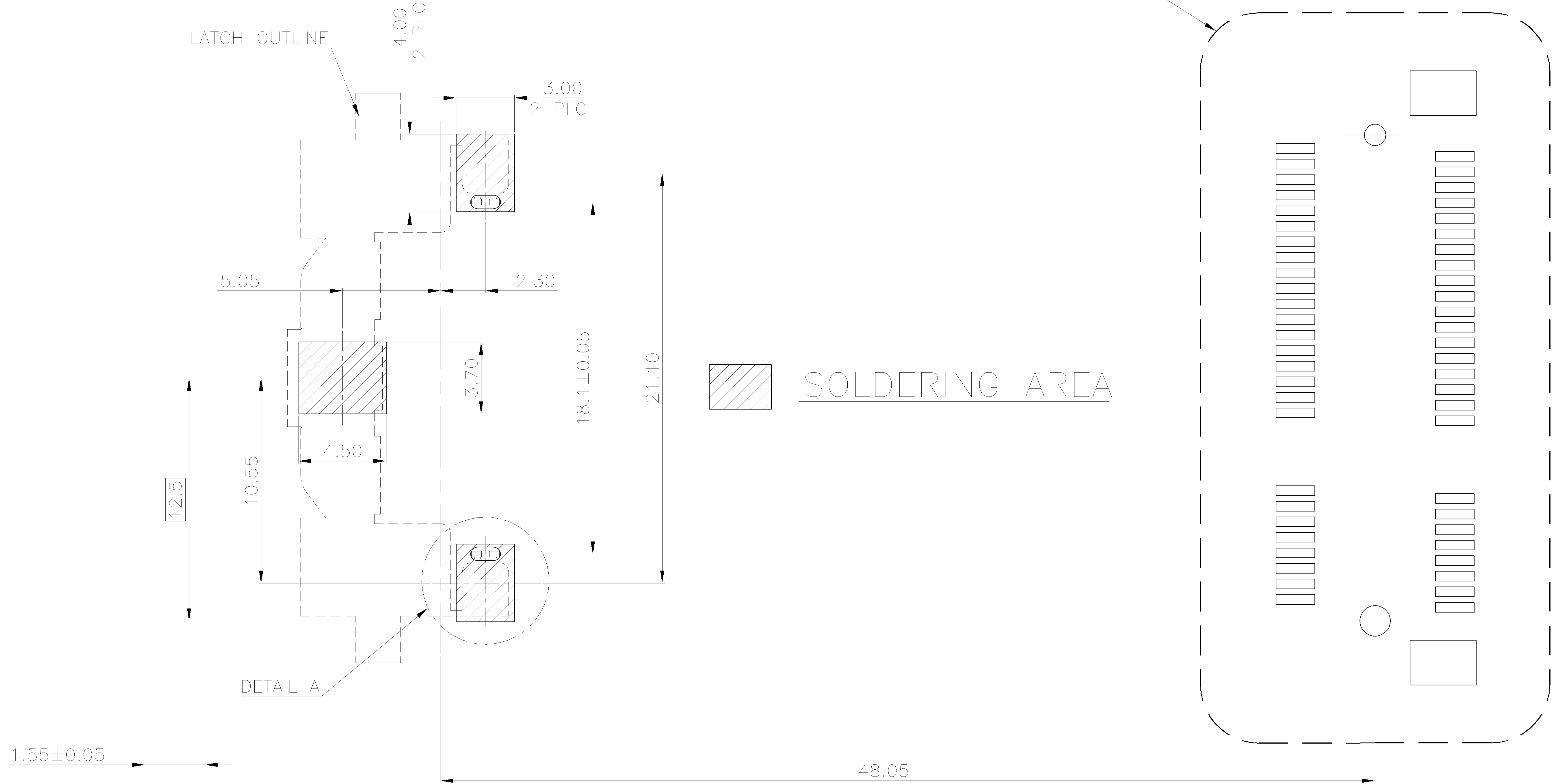
PRINT DIST
DW

METRIC



NUMBER
C-1775129

SEE DRAWING# 1775128 FOR DIMENSIONS



DETAIL A
SCALE 2:1

RECOMMENDED LATCH PCB LAYOUT
TOLERANCE: ±0.05, THICKNESS: 1.0mm

SOLDERING AREA

TOLERANCES UNLESS OTHERWISE SPECIFIED: 0 PLC ±- 1 PLC ±- 2 PLC ±- 3 PLC ±- ANGLES ±-	DWN A. WU 17-JUL-2006	TYCO HOLDINGS (BERMUDA) VII LTD. TAIWAN BRANCH
	CHK S. HOU 17-JUL-2006	
MATERIAL -	APVD W.J. KE 17-JUL-2006	NAME LATCH ASSEMBLY, MINI PCI EXPRESS, 52 POS.
FINISH -	PRODUCT SPEC -	
	APPLICATION SPEC -	LOC DW
	WEIGHT -	SIZE A ₃
		DRAWING NO C-1775129
		REV A
		SCALE --
		SHEET 2 OF 3

SEE SHEET 1	ECN	DWN	CHK	DATE
LTR	REVISION RECORD			

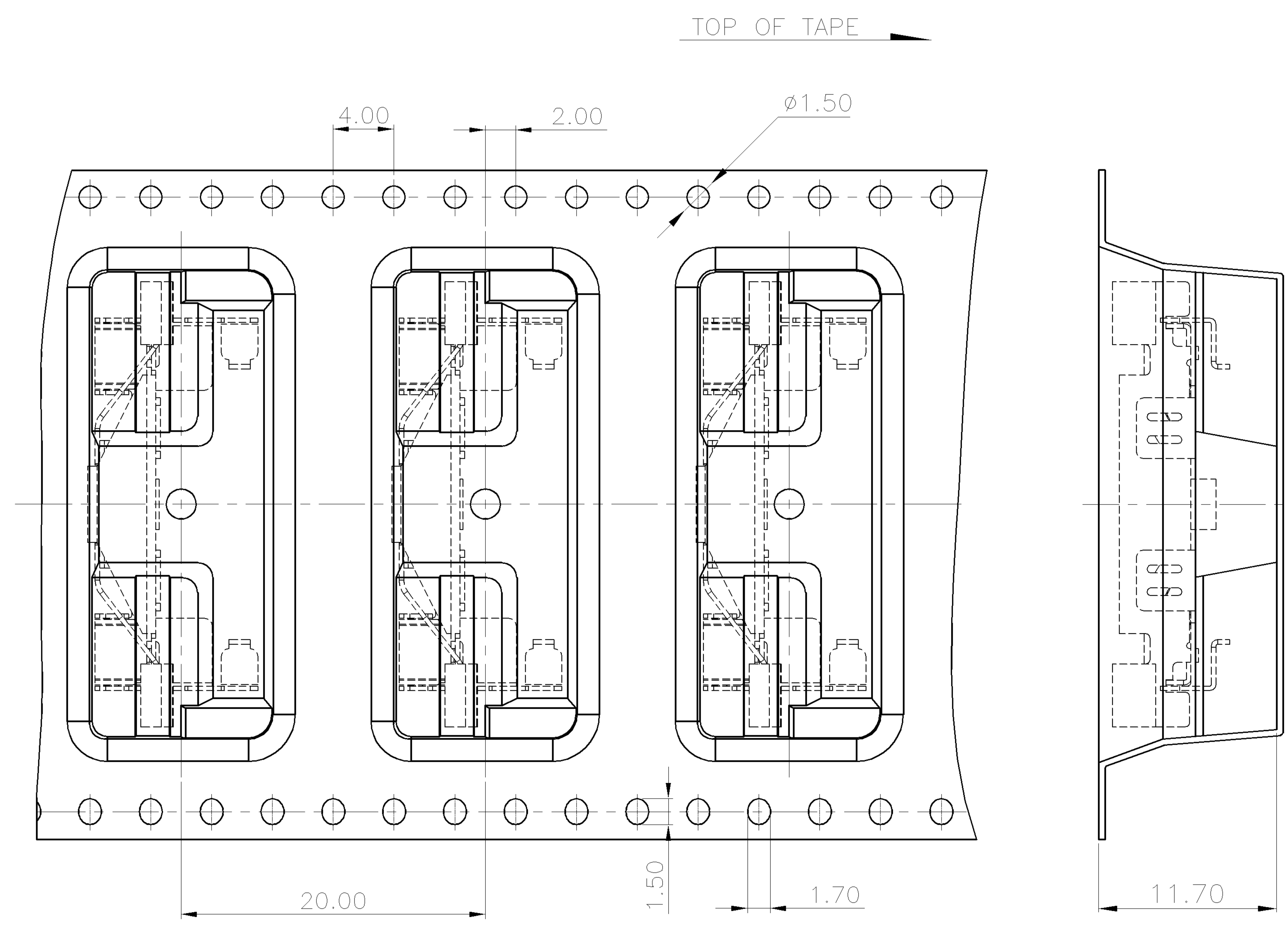
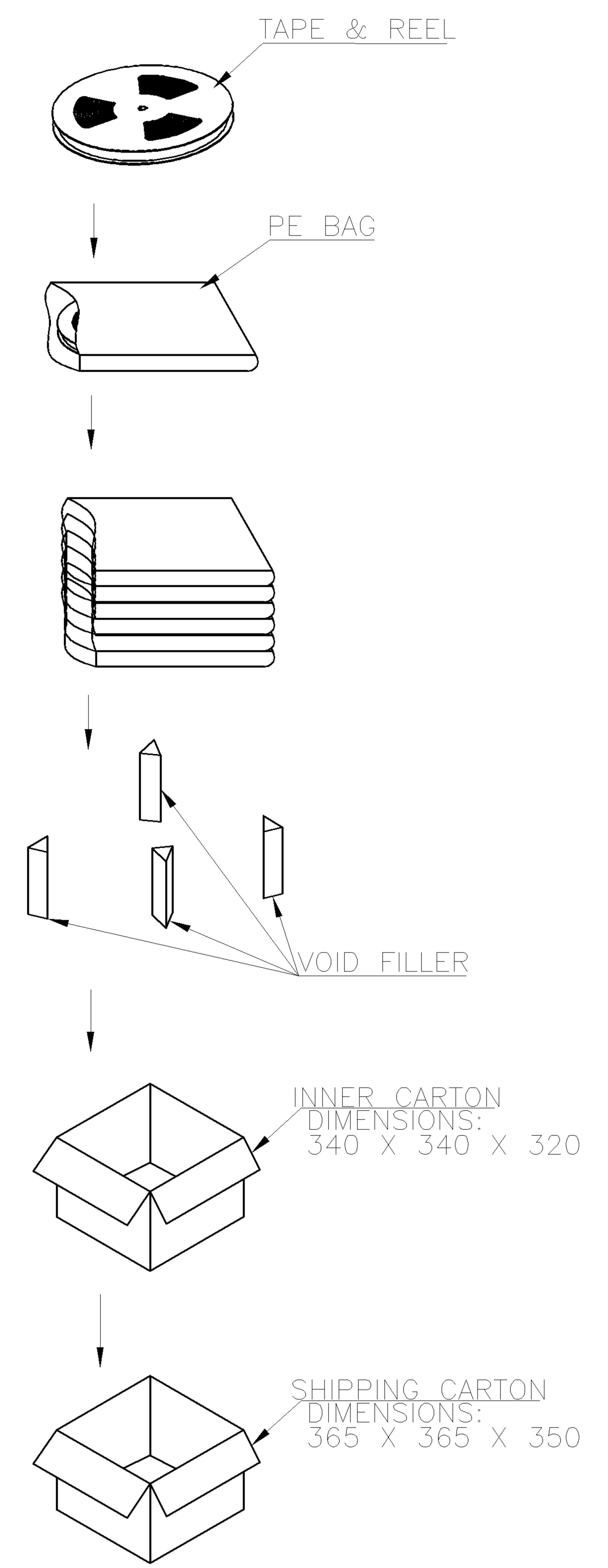
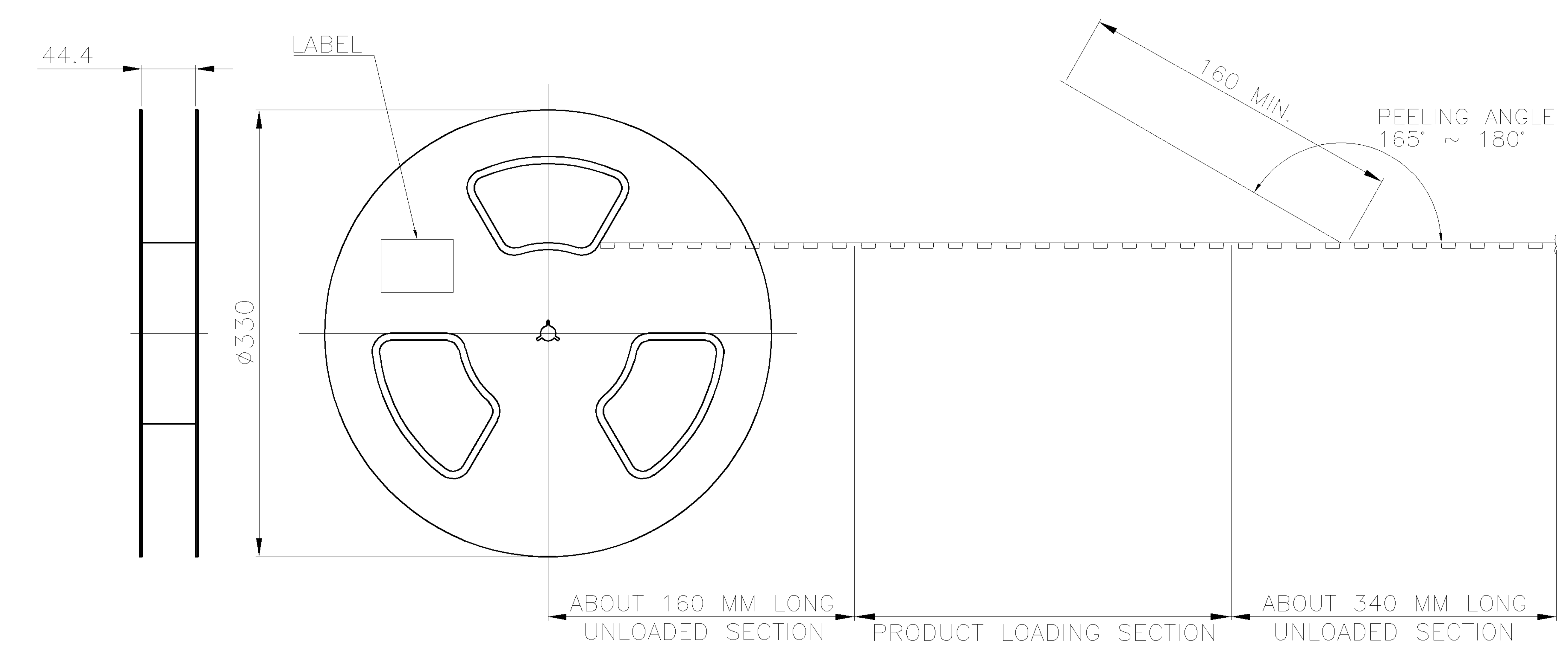
THIS INFORMATION IS CONFIDENTIAL AND IS DISCLOSED TO YOU ON CONDITION THAT NO FURTHER DISCLOSURE IS MADE BY YOU TO OTHER THAN AMP PERSONNEL WITHOUT WRITTEN AUTHORIZATION FROM AMP (TAIWAN) LTD. DIMENSIONS IN MILLIMETERS. DO NOT SCALE PRINT.

NUMBER
C-1775129

3RD ANGLE PROJECTION

METRIC

PRINT
DW



250	6	1500	6.33	1.98
PCS/ REEL	REELS/ CARTON	QUANTITY	G/W (KG)	N/W (KG)

TOLERANCES UNLESS OTHERWISE SPECIFIED: 0 PLC ±- 1 PLC ±- 2 PLC ±- 3 PLC ±- ANGLES ±-	DWN	A. WU 17-JUL-2006	tyco TYCO HOLDINGS (BERMUDA) Electronics VII LTD. TAIWAN BRANCH NAME			
	CHK	S. HOU 17-JUL-2006				
MATERIAL	APVD	W.J. KE 17-JUL-2006	LATCH ASSEMBLY, MINI PCI EXPRESS, 52 POS.			
SEE NOTE	PRODUCT SPEC	-				
FINISH	APPLICATION SPEC	-	LOC	SIZE	DRAWING NO	REV
SEE NOTE	WEIGHT	-	DW	A ₃	C-1775129	A
			SCALE	SHEET		
			--		3 OF 3	

SEE SHEET 1	ECN	DWN	CHK	DATE
LTR	REVISION RECORD			