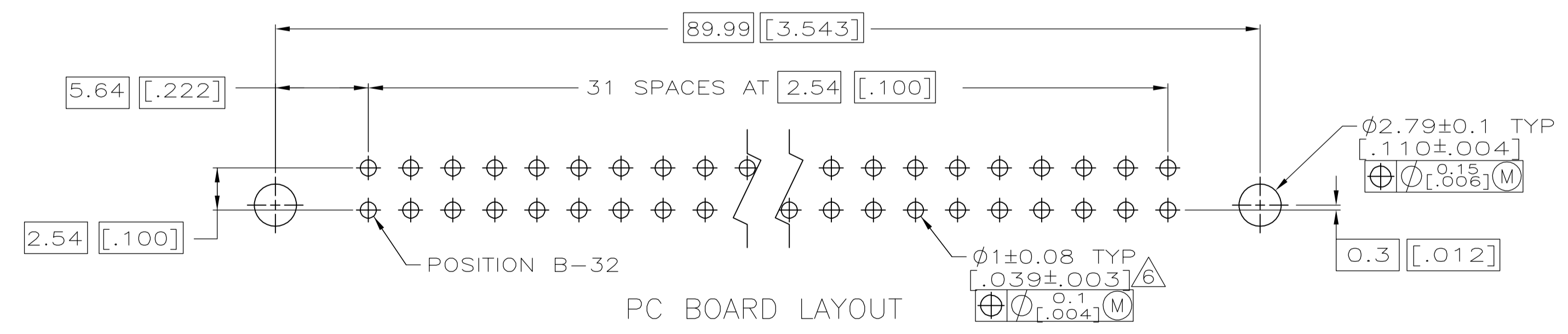
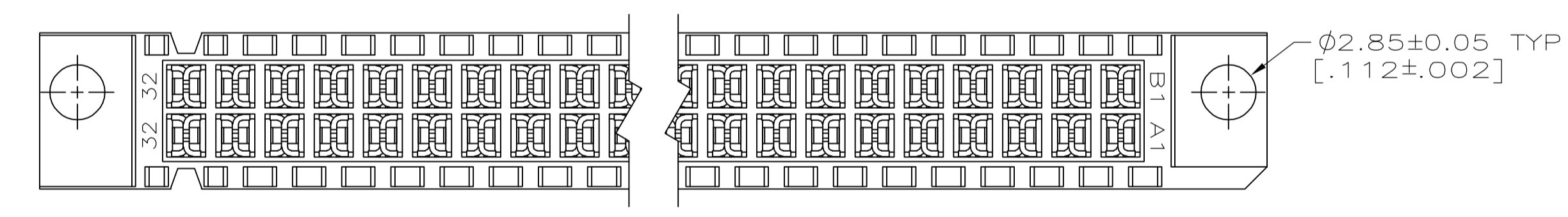
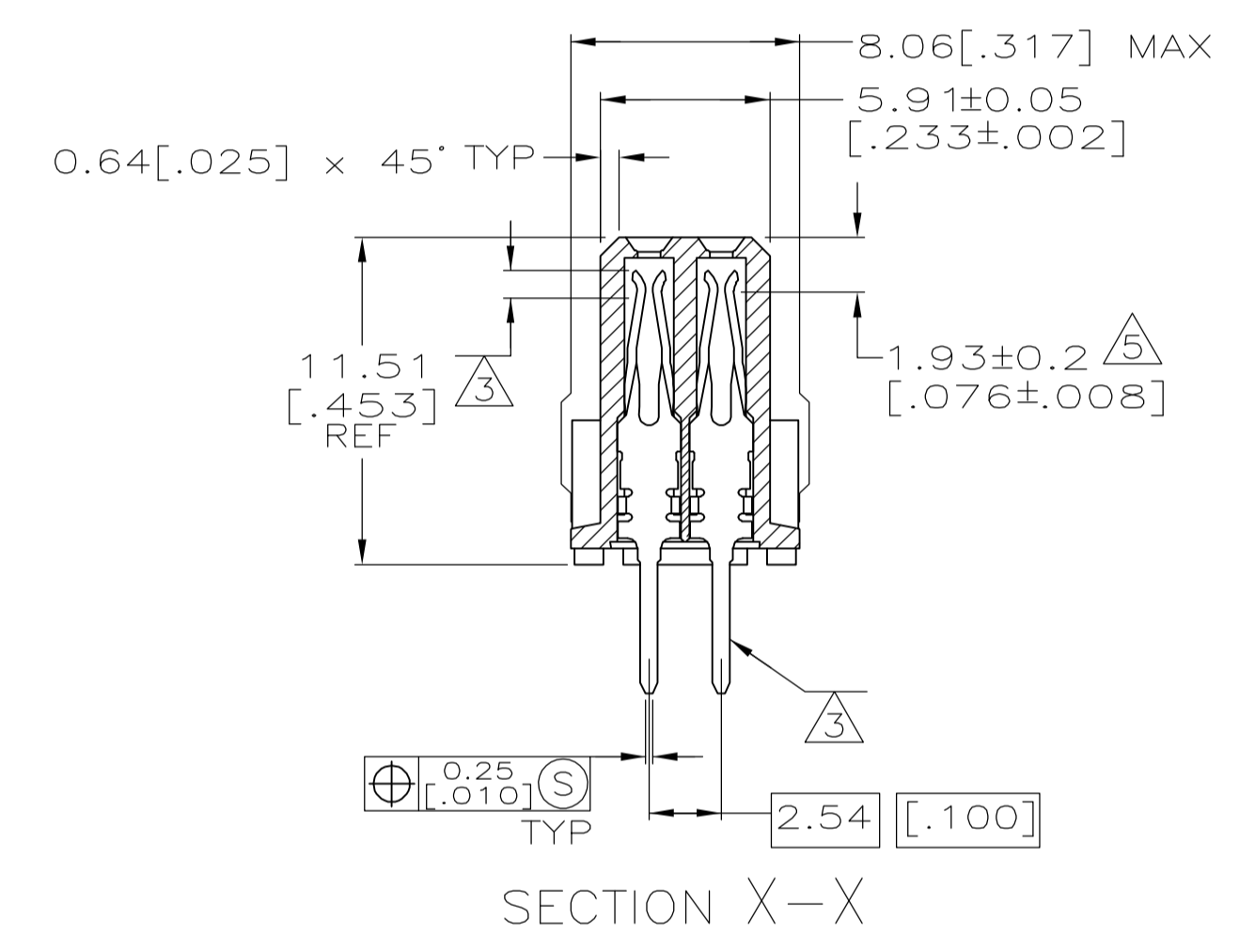
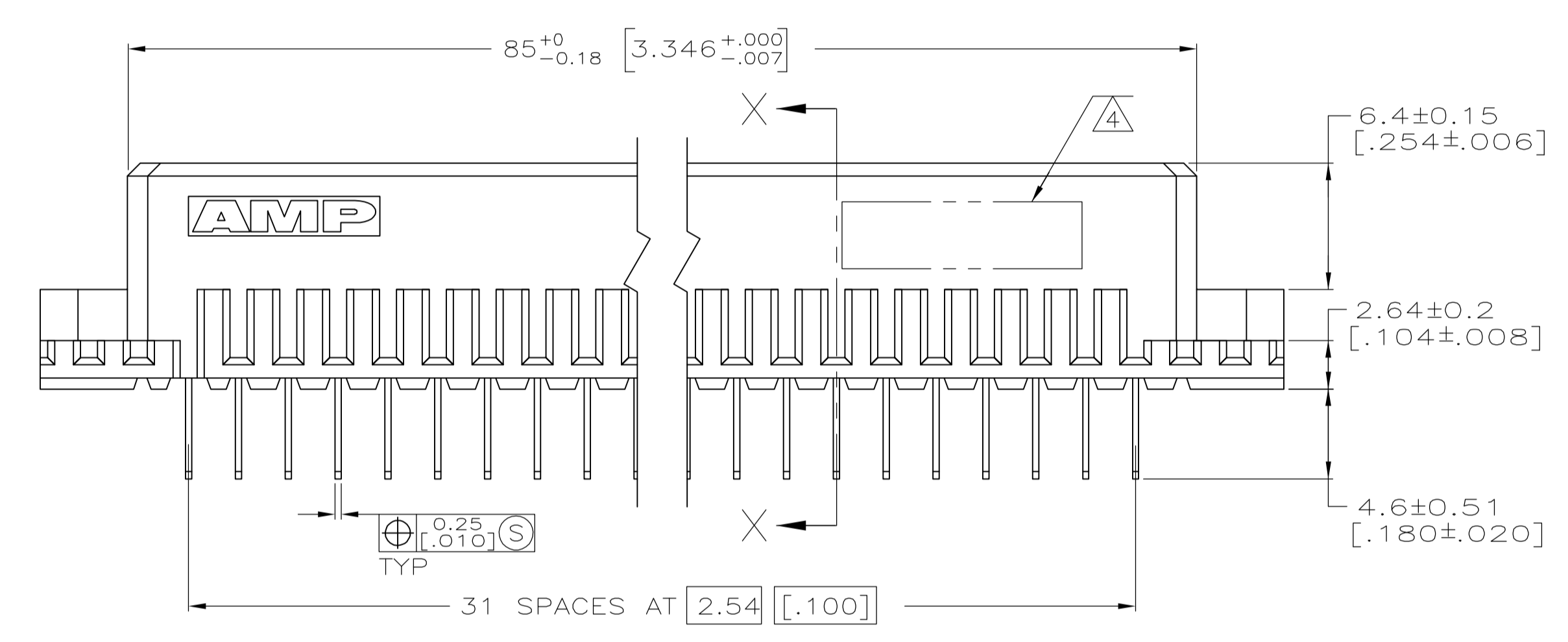
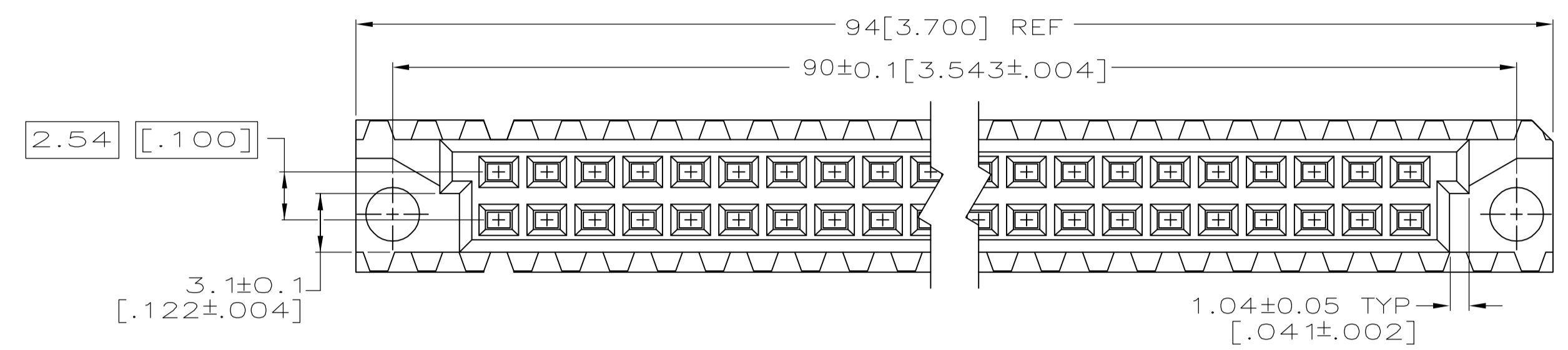


- ① HOUSING MATERIAL: GLASS-FILLED POLYMER.
- ② CONTACT MATERIAL: COPPER ALLOY.
- ③ CONTACT FINISH: DIN 41612 CLASS 2 IN CONTACT AREA. TIN PLATE ON POSTS.
- ④ PART NUMBER, DATE CODE IDENTIFICATION, CSA LOGO IN THIS APPROXIMATE AREA, ON REVERSE SIDE.
- ⑤ CONTACT POINT.
- ⑥ RECOMMENDED HOLE SIZE FOR MANUAL APPLICATION OF CONNECTOR ONTO PC BOARD.



1 THRU 32	X	X	64	5650861-5
1 THRU 32	X	X	64	5650861-4
POSITIONS LOADED	B	A	NO. OF LOADED POSITIONS	ASSY PART NUMBER
	ROWS LOADED			

THIS DRAWING IS A CONTROLLED DOCUMENT.		DIN J. POLIGNONE 03JUN05		Tyco Electronics Corporation Harrisburg, Pa 17105-3608	
DIMENSIONS: mm [INCHES]		TOLERANCES UNLESS OTHERWISE SPECIFIED:		APVD A. SHARPE 03JUN05	
0 PLC	± -	PRODUCT SPEC		NAME ASSEMBLY, RECEPTACLE, EUROCARD, TYPE B, LEAD-FREE, 64 POSITION, 4.57 [.180] SOLDER POSTS	
1 PLC	± -	APPLICATION SPEC		SIZE A1	
2 PLC	± -	MATERIAL		CAGE CODE 00779	
3 PLC	± 0.1 [.005]	FINISH		DRAWING NO. 5650861	
4 PLC	± -	WEIGHT		SCALE 4:1	
ANGLES	± -	CUSTOMER DRAWING		SHEET 1 OF 1	
		RESTRICTED TO		REV 0	