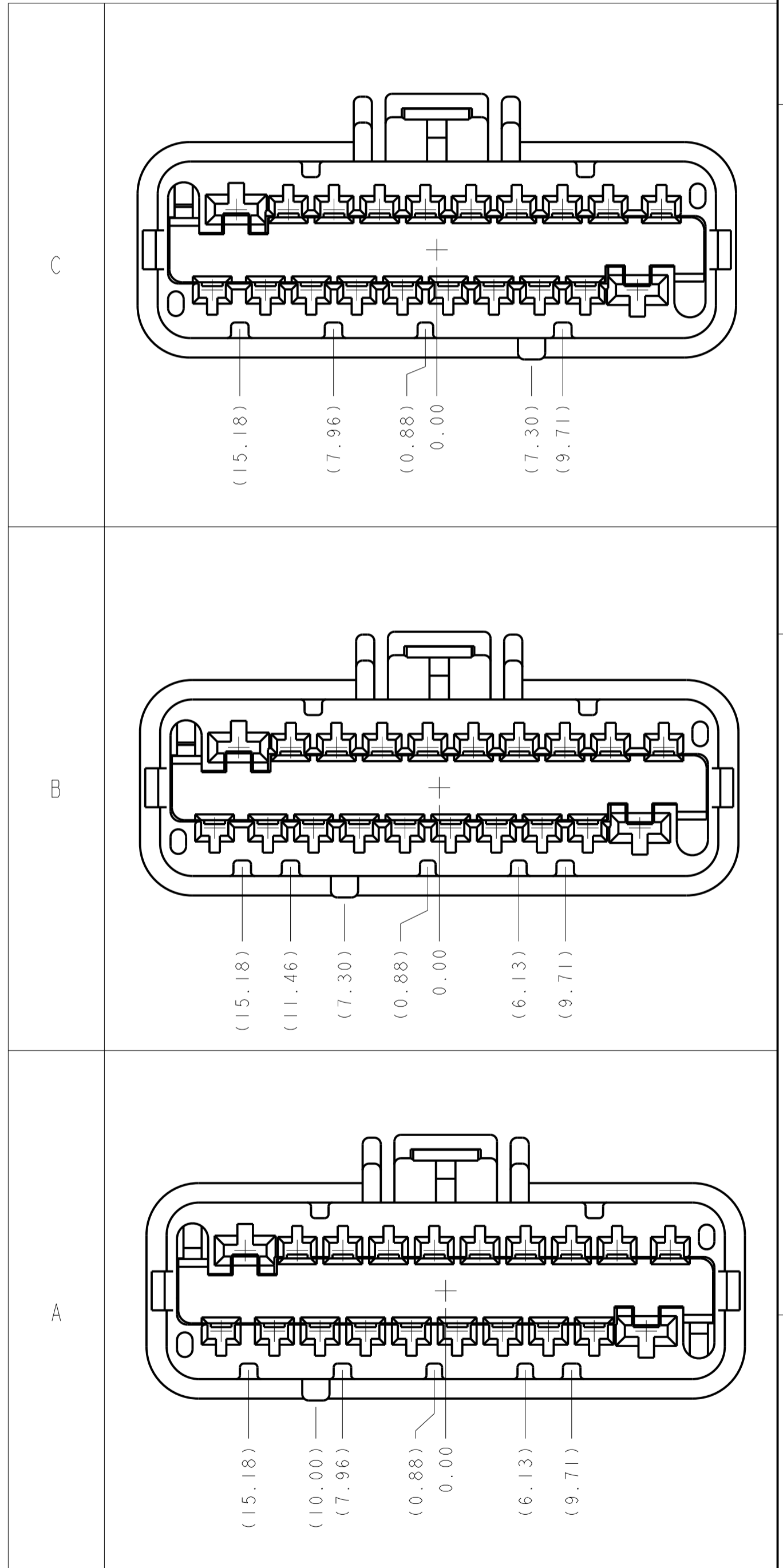
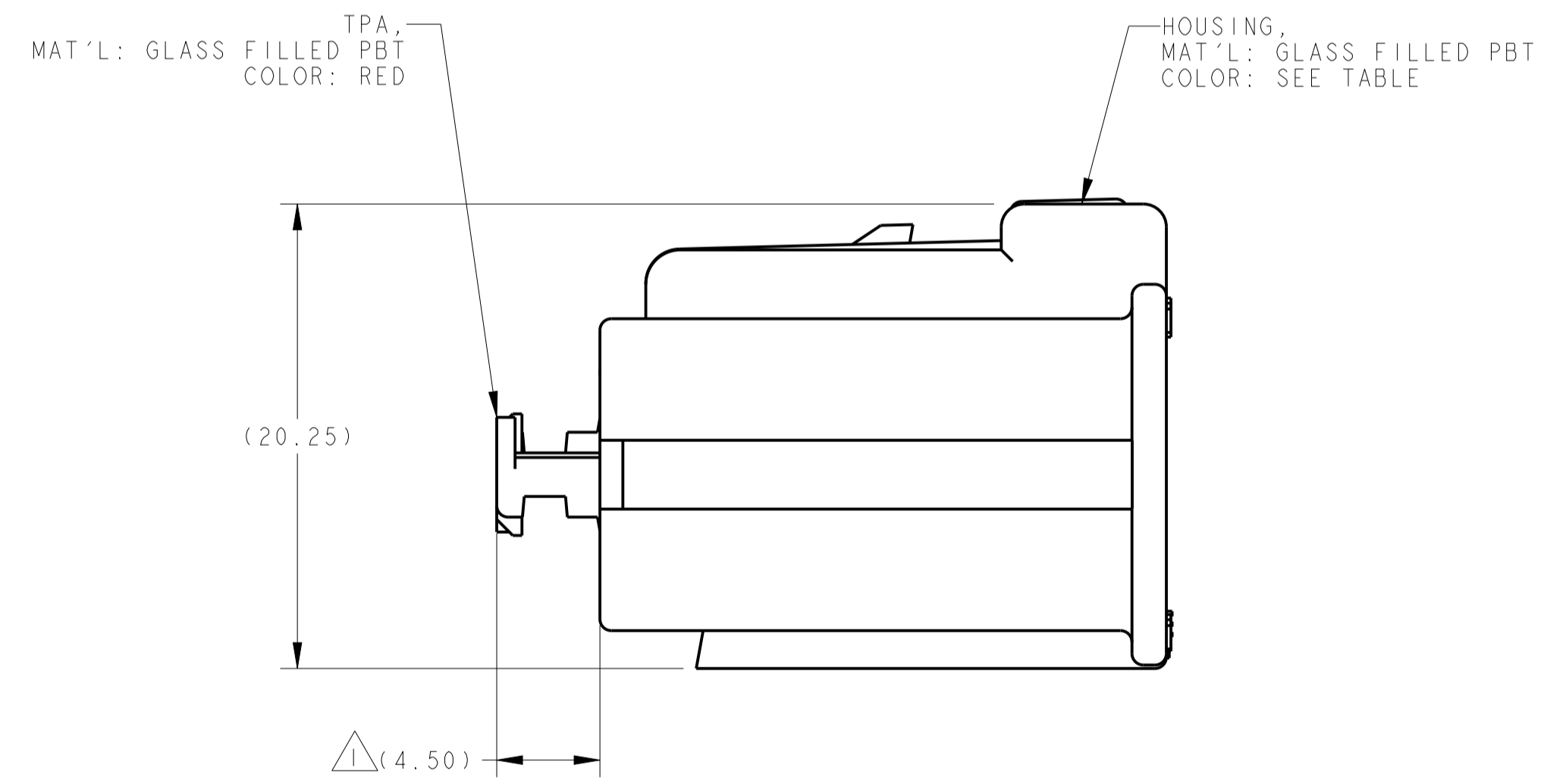
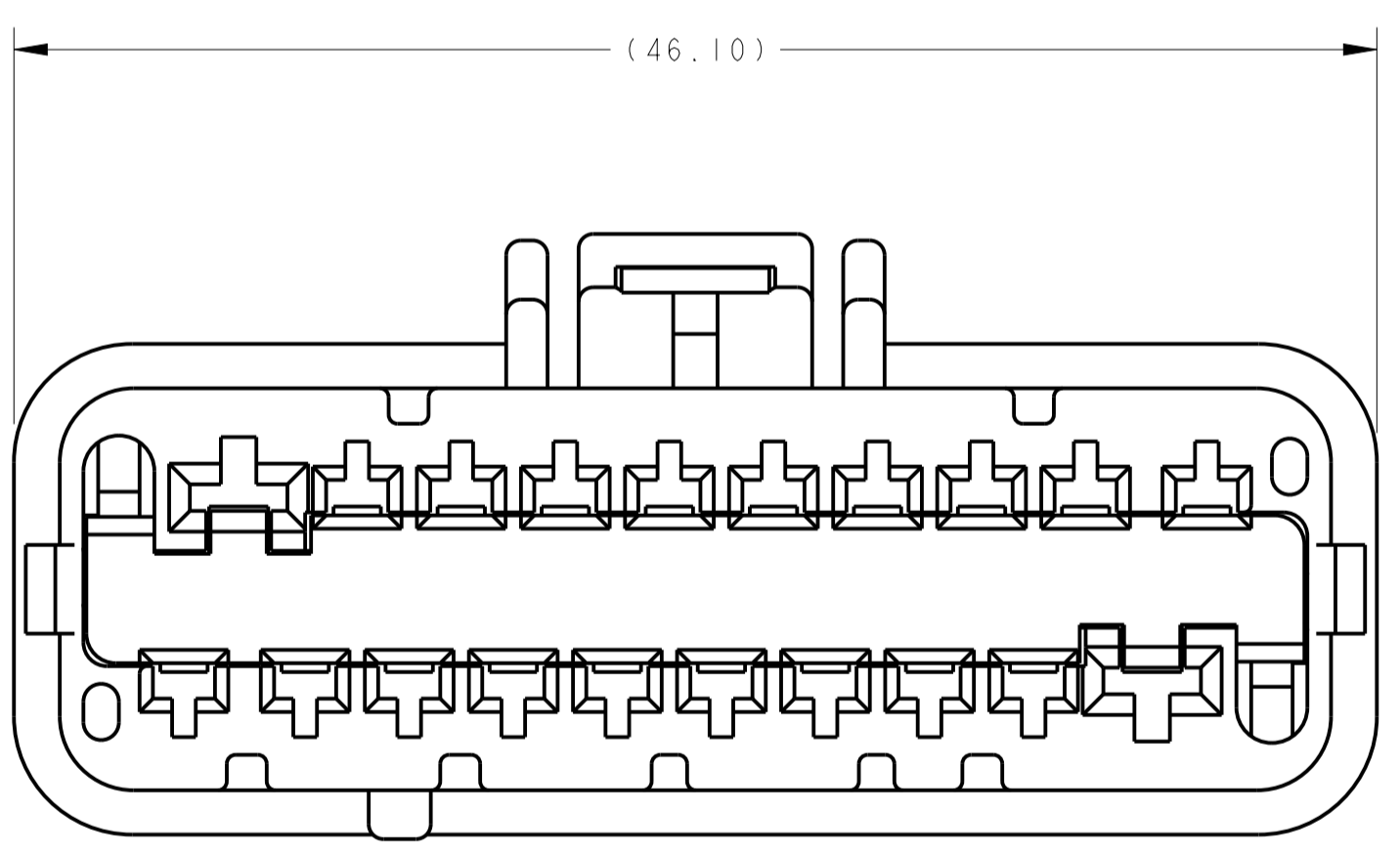
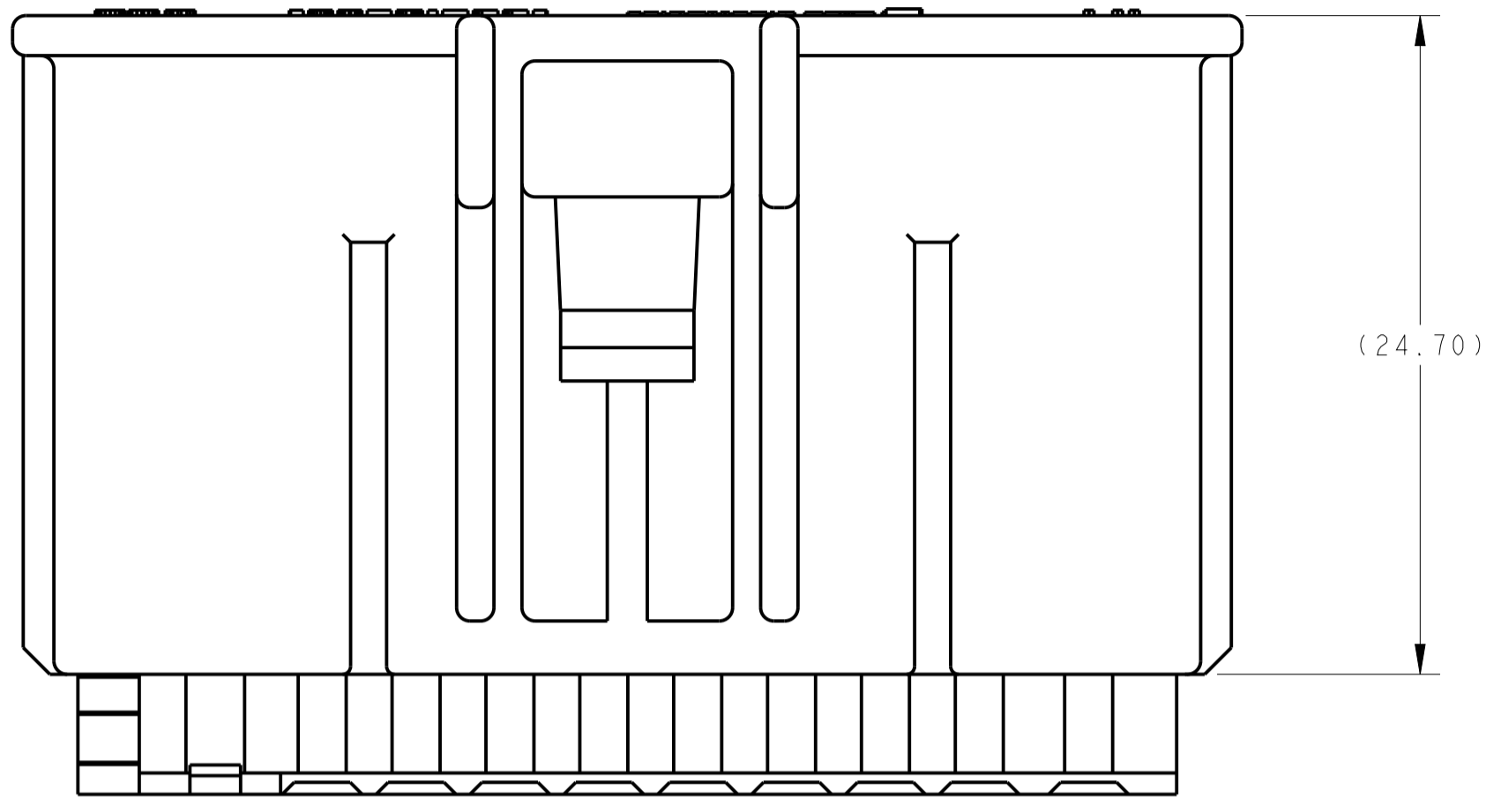


REVISIONS					
P.	LTN	DESCRIPTION	DATE	DWN	APVD
1		PROPOSED	27AUG2009	JRS	BSB
2		REVISED PER ECO-10-003257	16FEB2010	JRS	BSB
A		ECR-10-025922	20DEC2010	HM	BB
A1		ECR-14-007751	30MAY2014	VP	ML



- △ TPA SHIPPED IN STAGED POSITION.
- 2. THIS PLUG CONNECTOR MATES WITH CAP CONNECTOR, TYCO ELECTRONICS DRAWING NUMBER 2098380 AND IS INTENDED FOR CLASS 2 (105°C MAX) APPLICATIONS
- 3. SEE INSTRUCTION SHEET 408-10433.

CODE	ARRANGEMENTS	KEYING

2098377-4	A	YELLOW
2098377-3	C	WHITE
2098377-2	B	GRAY
2098377-1	A	BLACK
PART NUMBER	CODE	HOUSING COLOR

THIS DRAWING IS A CONTROLLED DOCUMENT.

DWN: J. R. SHUEY 27AUG2009
 CHK: B. S. BUCHTER 27AUG2009
 APVD: -

TE Connectivity

NAME: PLUG, 20 POSITION HYBRID, UNSEALED 1.5/2.8

PRODUCT SPEC: -
 APPLICATION SPEC: -

SIZE: - CAGE CODE: - DRAWING NO: A100779 ©=2098377
 WEIGHT: - RESTRICTED TO: -

CUSTOMER DRAWING SCALE: 4:1 SHEET 1 OF 1 REV: A1