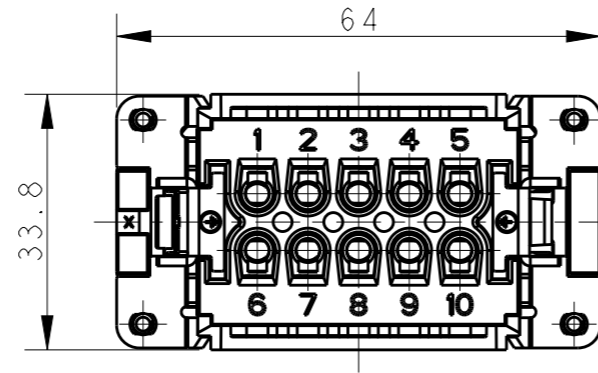
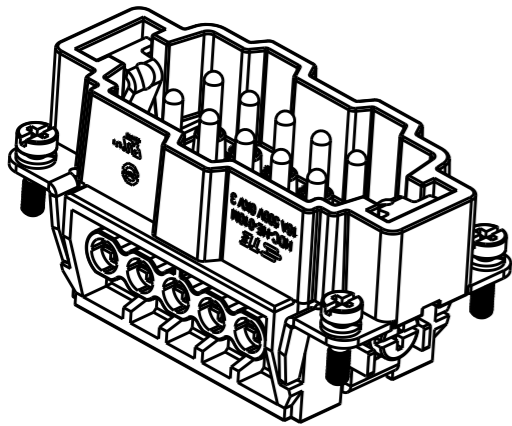


THIS DRAWING IS UNPUBLISHED. RELEASED FOR PUBLICATION 20
 © COPYRIGHT 20 BY - ALL RIGHTS RESERVED.

REVISIONS

P	LTR	DESCRIPTION	DATE	DWN	APVD
A		INITIAL RELEASE	06APR2015	GY	CW
B		ECR-15-013759	27SEP2015	DW	CW
B1		ECR-16-011988	25AUG2016	YC	CW



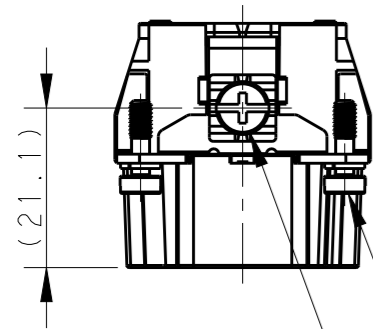
TYPE 1, T2040102101-000, WITH LOGO
 类型 1, T2040102101-000, 带LOGO

NOTES:

- TECHNICAL CHARACTERISTICS:
 INSULATION MATERIAL: PC
 RATED VOLTAGE: 500V
 RATED CURRENT: 16A
 INSULATION RESISTANCE: $\geq 400M\Omega$
 RATED IMPULSE VOLTAGE: 6KV
 POLLUTION DEGREE: 3
 FLAMMABILITY: UL94V-0
 MATING CYCLES: 500 CYCLES
 WIRE RANGE: $0.5mm^2 \sim 2.5mm^2$ (AWG20-AWG14)
 CONTACT TYPE: SCREW CLAMP (M3)

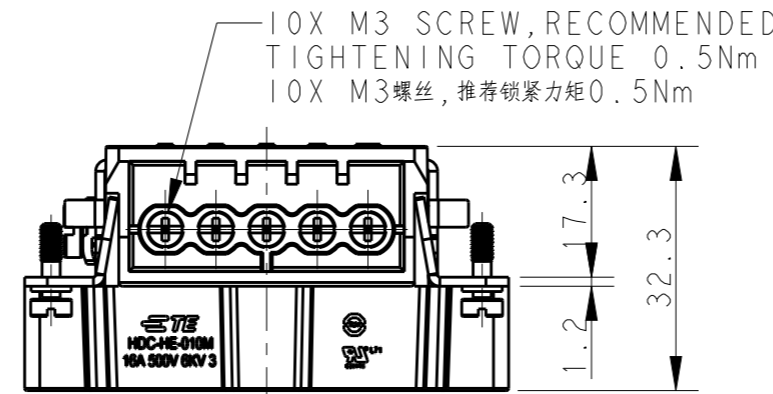
注释:

- 技术参数:
 绝缘材料: PC
 额定电压: 500V
 额定电流: 16A
 绝缘电阻: $\geq 400M\Omega$
 脉冲电压: 6KV
 污染等级: 3
 阻燃等级: UL94V-0
 插拔次数: 500 次
 接线范围: $0.5mm^2 \sim 2.5mm^2$ (AWG20-AWG14)
 接线类型: 螺丝压接 (M3)

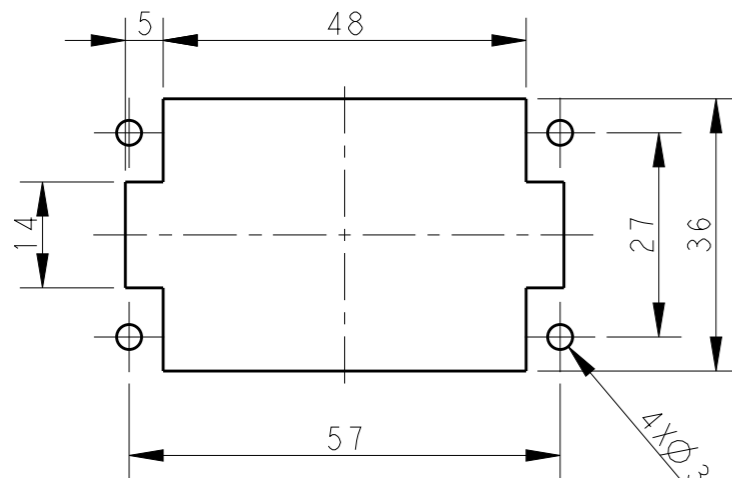


4X M3 SCREW, RECOMMENDED
 TIGHTENING TORQUE 0.5Nm
 4X M3螺丝, 推荐锁紧力矩0.5Nm

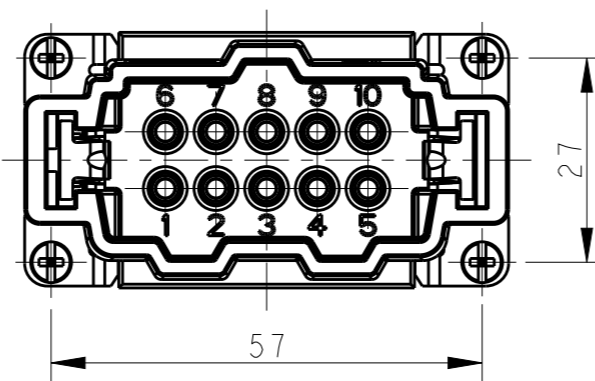
M4 SCREW, RECOMMENDED
 TIGHTENING TORQUE 1.2Nm
 M4螺丝, 推荐锁紧力矩1.2Nm



10X M3 SCREW, RECOMMENDED
 TIGHTENING TORQUE 0.5Nm
 10X M3螺丝, 推荐锁紧力矩0.5Nm



PANEL CUT FOR INSERTS FOR USE
 WITHOUT HOODS/ HOUSINGS
 不使用防护外壳时芯件的安装开孔图



THIS DRAWING IS A CONTROLLED DOCUMENT.

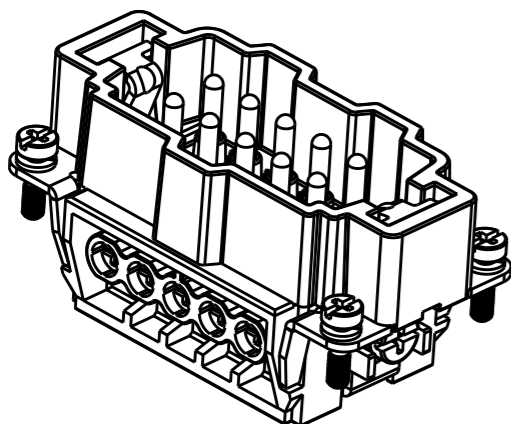
DIMENSIONS:	TOLERANCES UNLESS OTHERWISE SPECIFIED:
-	0 PLC \pm
-	1 PLC \pm
-	2 PLC \pm
-	3 PLC \pm
-	4 PLC \pm
-	ANGLES \pm
MATERIAL	FINISH
-	-
-	-

DWN	GINO YAO	06APR2015
CHK	CHRIS WANG	06APR2015
APVD	XIANG XU	06APR2015
PRODUCT SPEC	108-137044	
APPLICATION SPEC	114-137044	
WEIGHT	-	
CUSTOMER DRAWING		

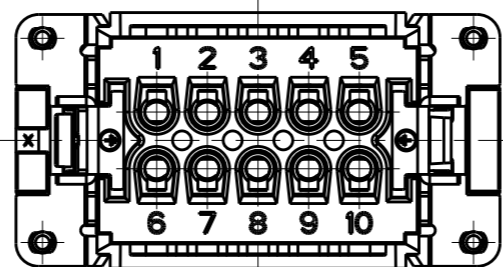
		TE Connectivity	
		NAME HE-010-M	
SIZE	CAGE CODE	DRAWING NO	RESTRICTED TO
A3	00779	C-T2040102101000	-
SCALE 1:1		SHEET 1 OF 2	REV B1

REVISIONS

P	LTR	DESCRIPTION	DATE	DWN	APVD
		SEE SHEET 1			

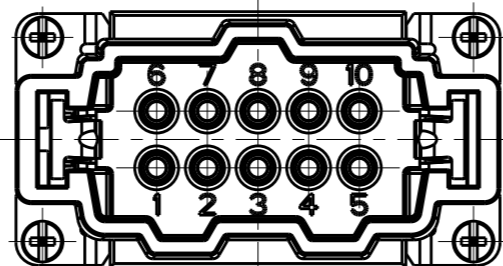
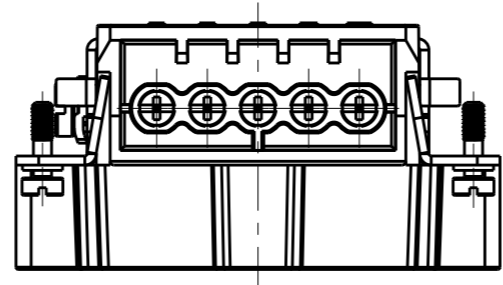
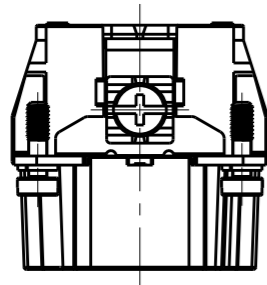


TYPE 2, T2040102101-001, WITHOUT LOGO
 类型 2, T2040102101-001, 不带LOGO



NOTE:
 ALL SPEC REFER TO TYPE 1

注释:
 所有产品规范参照 TYPE 1



T2040102101-000	HE-010-M	HE-010 MALE INSERT HE-010 公插	TYPE 1
T2040102101-001	HE-010-M	HE-010 MALE INSERT, WITHOUT LOGO HE-010 公插, 无LOGO	TYPE 2
PART NUMBER 料号	PART DESCRIPTION 描述		TYPE 类型

THIS DRAWING IS A CONTROLLED DOCUMENT.		DWN GINO YAO 06APR2015		
DIMENSIONS: mm		CHK CHRIS WANG 06APR2015		
TOLERANCES UNLESS OTHERWISE SPECIFIED:		APVD XIANG XU 06APR2015	NAME HE-010-M	
0 PLC ±-		PRODUCT SPEC 108-137044	SIZE A3	
1 PLC ±-		APPLICATION SPEC 114-137044	CAGE CODE 00779	DRAWING NO T2040102101000
2 PLC ±-		WEIGHT -	RESTRICTED TO -	
3 PLC ±-		CUSTOMER DRAWING	SCALE 1:1	
4 PLC ±-			SHEET 2 OF 2	
ANGLES ±-		REV B1		
FINISH -				