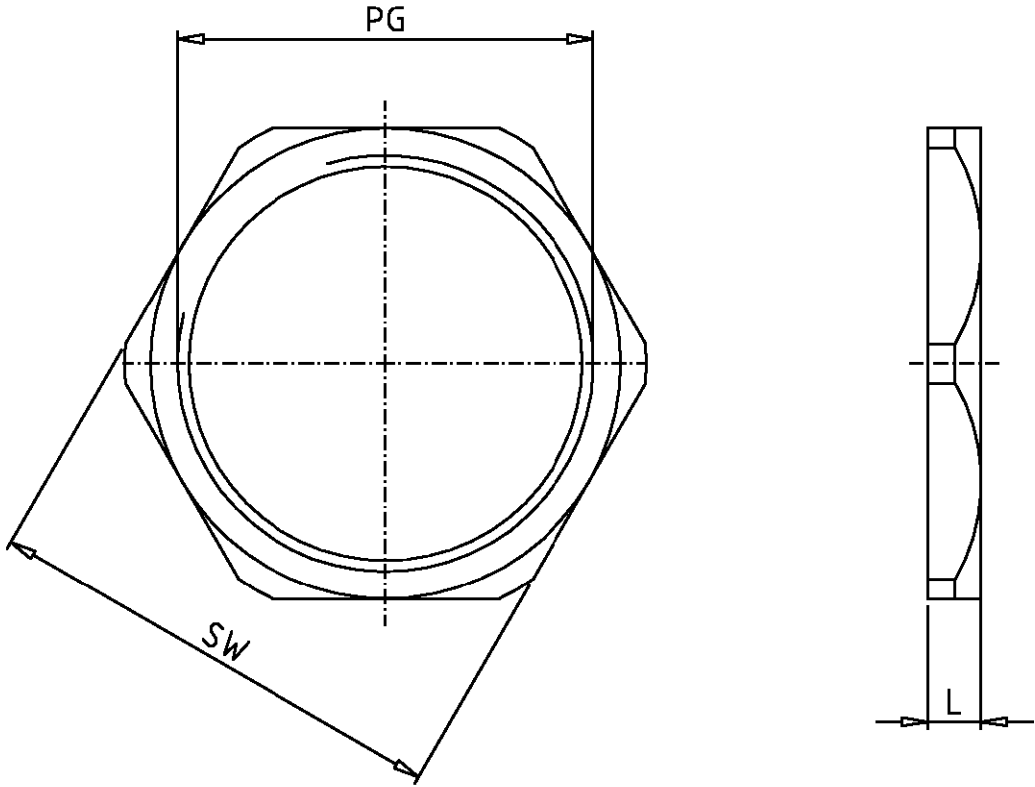


MATED WITH: PASSEND ZU:	LOC A1	DIST -	REVISIONS AENDERUNGEN				DATE	DWN	APVD
			P	LTR	DESCRIPTION				
PROJEKT NR.1			A2	PN 0-1 neu	Eg00-2382-01	08.08.01	SR	ST	



0-1	GM.M20.SKT-MS	Messing/brass	vernickelt nickel plated	-	20	24	3	
7-2	GM.42.SKT-MS	Messing/brass	vernickelt nickel plated	42	-	60	5	
6-2	GM.36.SKT-MS	Messing/brass	vernickelt nickel plated	36	-	51	5	
5-2	GM.29.SKT-MS	Messing/brass	vernickelt nickel plated	29	-	41	4	
4-2	GM.21.SKT-MS	Messing/brass	vernickelt nickel plated	21	-	32	3,5	
3-2	GM.16.SKT-MS	Messing/brass	vernickelt nickel plated	16	-	26	3	
2-2	GM.13.SKT-MS	Messing/brass	vernickelt nickel plated	13.5	-	23	3	
1-2	GM.11.SKT-MS	Messing/brass	vernickelt nickel plated	11	-	21	3	
0-2	GM.9.SKT-MS	Messing/brass	vernickelt nickel plated	9	-	18	2,8	
AMP PART NO	DESCRIPTION	MATERIAL	SURFACE	PG	M	SW	L	

THIS DRAWING IS UNPUBLISHED. VERTRAULICHE UNVEROEFFENTLICHTE ZEICHNUNG.  
 ALL RIGHTS RESERVED. ALLE RECHTE VORBEHALTEN.  
 BY AMP INCORPORATED. COPYRIGHT 1997

**DIMENSIONS:**  
DIMENSIONEN:  
mm

TOLERANCES UNLESS OTHERWISE SPECIFIED:  
ALLGEMEINTOLERANZEN

ISO 8015  
ISO 2768 - mH - E  
DIN 16901 - 140

ANGLES / WINKEL #-

DWN	Schneider	08.05.2000
CHK	Schweiger	08.05.2000
APVD	-	-
PRODUCT SPEC	PRODUKTSPEZ.	-
APPLICATION SPEC	VERARBEITUNGSSPEZ.	-
WEIGHT	GEWICHT	-

MATERIAL -

FINISH OBERFLAECHE/FARBE -

**AMP** HTS Elektrotechnik  
53819 Neunkirchen, Germany

NAME  
GM lock nut  
6-kt-Mutter

SIZE	CAGE CODE	DRAWING NO ZEICHNUNGS-NR.	RESTRICTED TO NUR FUER
A4	00779	C=1106055	-

CUSTOMER DRAWING /KUNDENZEICHNUNG MASSSTAB 2:1 BLATT 1 OF VON 1 A2