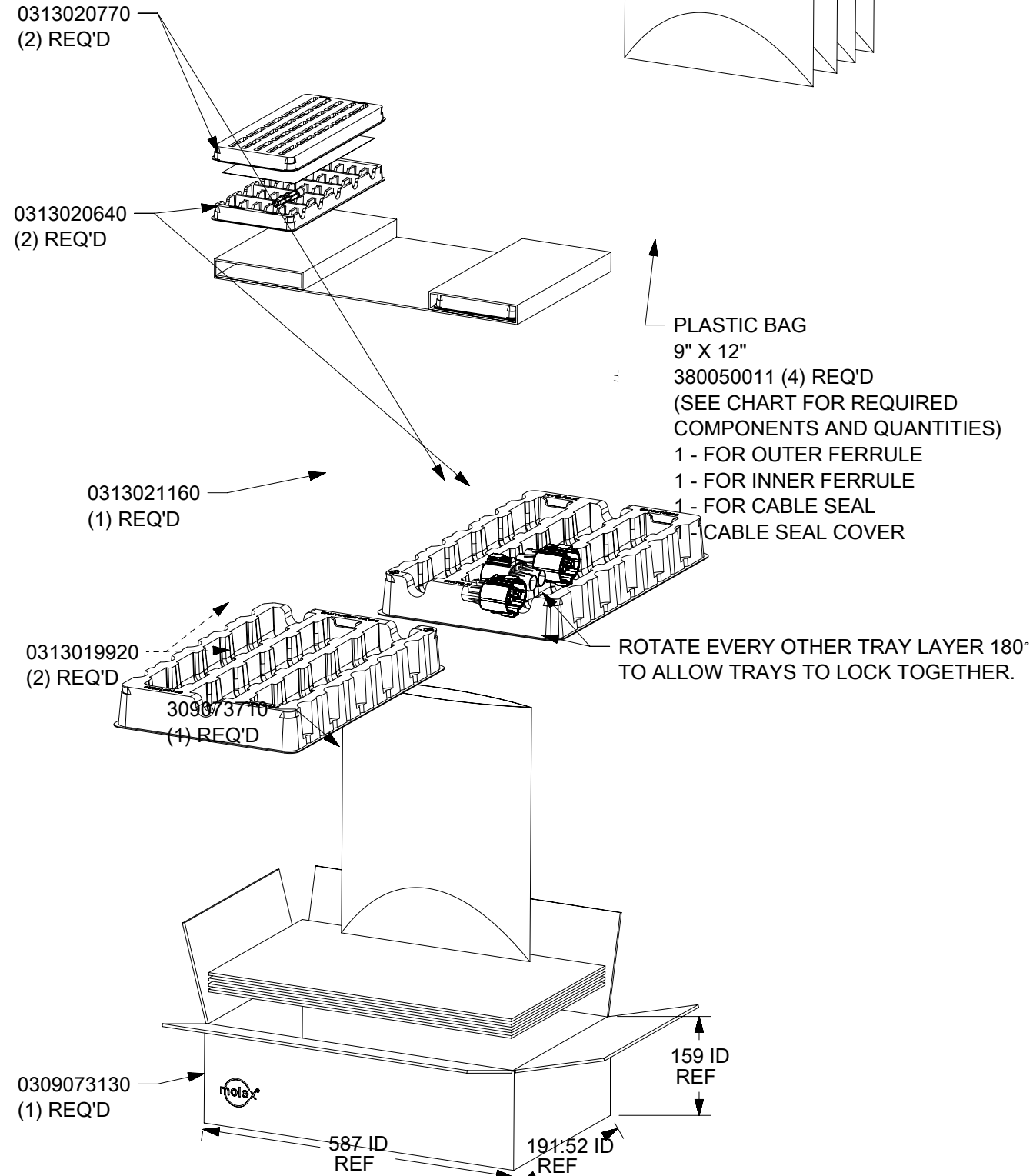


| KIT MAT'L NUMBER | KIT DESCRIPTION | CONNECTOR MAT'L NUMBER | QTY | TERMINAL MAT'L NUMBER | QTY | OUTER FERRULE MAT'L NUMBER | QTY | INNER FERRULE MAT'L NUMBER | QTY | CABLE SEAL MAT'L NUMBER | QTY | SEAL COVER MAT'L NUMBER | QTY |
|------------------|-----------------|------------------------|-----|-----------------------|-----|----------------------------|-----|----------------------------|-----|-------------------------|-----|-------------------------|-----|
| 1714669001       | 1/0, KEY A      | 171470-2001            | 30  | 0315617000            | 60  | 0315704102                 | 60  | 0315708002                 | 60  | 0315693000              | 60  | 0315762001              | 60  |
| 1714669002       | 1/0, KEY B      | 171470-2002            | 30  | 0315617000            | 60  | 0315704102                 | 60  | 0315708002                 | 60  | 0315693000              | 60  | 0315762001              | 60  |
| 1714669101       | 1 AWG, KEY A    | 171470-2001            | 30  | 0315617001            | 60  | 0315704103                 | 60  | 0315708001                 | 60  | 0315693001              | 60  | 0315762002              | 60  |
| 1714669102       | 1 AWG, KEY B    | 171470-2002            | 30  | 0315617001            | 60  | 0315704103                 | 60  | 0315708001                 | 60  | 0315693001              | 60  | 0315762002              | 60  |



NOTES:

- 1) FOLD AND TAPE THE BOTTOM FLAPS OF THE CARTON (0309073130)
- 2) INSERT 15 RECEPTACLES INTO EACH TRAY (0313019940) AS SHOWN. (2) TRAYS REQUIRED.
- 3) INSERT 30 TERMINALS INTO EACH TRAY (0313020640) ADD COVER (0313020770). (2) EACH REQUIRED.
- 4) PACK 60 INNER FERRULES IN BAG (380050011) AND SEAL THE BAG
- 5) PACK 60 OUTER FERRULES IN BAG (380050011) AND SEAL THE BAG
- 6) PACK 60 CABLE SEALS IN BAG (380050011) AND SEAL THE BAG
- 7) PACK 60 SEAL COVERS IN BAG (380050011) AND SEAL THE BAG
- 8) INSERT ONE BAG (309073710) INTO THE CARTON AND PLACE 2 TRAYS OF RECEPTACLES INTO THE BAG AND CARTON WITH THE SECOND TRAY TURNED 180 DEGREES FROM THE FIRST AND FOLD OVER THE TOP OF THE BAG
- 9) FOLD THE PAD (0313021160) AS SHOWN AND INSERT ONE TRAY OF TERMINALS INTO EACH OF THE ENDS OF THE FOLDED PAD. THEN PLACE THIS IN THE CARTON
- 10) PLACE THE OTHER BAGGED COMPONENT PARTS ON THE PAD BETWEEN THE TRAYS
- 11) FOLD AND TAPE THE TOP FLAPS OF THE CARTON AND LABEL PER ED-40000-7012
- 12) STANDARD PACKAGE QUANTITY (SPQ): 1 KIT = 30 CONNECTORS
- 13) ESTIMATED GROSS WEIGHT: 7.5 KG

| QUALITY SYMBOLS | THIS DRAWING CONTAINS INFORMATION THAT IS PROPRIETARY TO MOLEX ELECTRONIC TECHNOLOGIES, LLC AND SHOULD NOT BE USED WITHOUT WRITTEN PERMISSION |                          |  |          |                 |  |                          |  |          |                 |                |  |  |
|-----------------|---|--------------------------|--|----------|-----------------|--|--------------------------|--|----------|-----------------|----------------|--|--|
| ▽ = 0           | EC NO: 120493<br>DRWN: LJERIC<br>CHK'D:<br>APPR: CSHELDON   | 2017/07/21<br>2017/11/06 | GENERAL TOLERANCES (UNLESS SPECIFIED)                |          | DIMENSION UNITS | SCALE  |                          |  |          |                 |                |  |  |
| ▽ = 0           |   |                          | ANGULAR TOL ± 0.5 °                                  |          | mm              | 1:1  |                          |  |          |                 |                |  |  |
| ▽ = 0           |   |                          | 4 PLACES ±   | DRWN BY  | DATE            |  |                          |  |          |                 |                |  |  |
| ▽ = 0           |   |                          | 3 PLACES ±   | JQUILES  | 2014/08/12      |  |                          |  |          |                 |                |  |  |
| ▼ = 0           |   |                          | 2 PLACES ± 0.13                                      | CHK'D BY | DATE            | KIT PACK FOR<br>1714669*** RECEPTACLE IMPERIUM |                          |  |          |                 |                |  |  |
| ▽ = 0           |   |                          | 1 PLACE ± 0.25                                       | MDATA    | 2014/08/12      |  |                          |  |          |                 |                |  |  |
| ⊠ = 0           |   |                          | 0 PLACES ±   | APPR BY  | DATE            |  |                          |  |          |                 |                |  |  |
| ■ = 0           |   |                          | DRAFT WHERE APPLICABLE MUST REMAIN WITHIN DIMENSIONS |          | APATEL          |  |                          |  |          |                 | 2014/08/15     |  |  |
| ▽ = 0           |   |                          | C  |          | DRAWING SIZE    | THIRD ANGLE PROJECTION                         | PACKAGING DESIGN DRAWING |  | SERIES   | MATERIAL NUMBER | CUSTOMER       |  |  |
|                 |   |                          |  |          | B               |  |                          |  | 171466   | 1714669*        | GENERAL MARKET |  |  |
|                 |   |                          |  |          |                 |  | DOCUMENT NUMBER          |  | DOC TYPE | DOC PART        | SHEET NUMBER   |  |  |
|                 |   |                          |  |          |                 |  | PK-171466-999            |  | PDD      | 001             | 1 OF 1         |  |  |