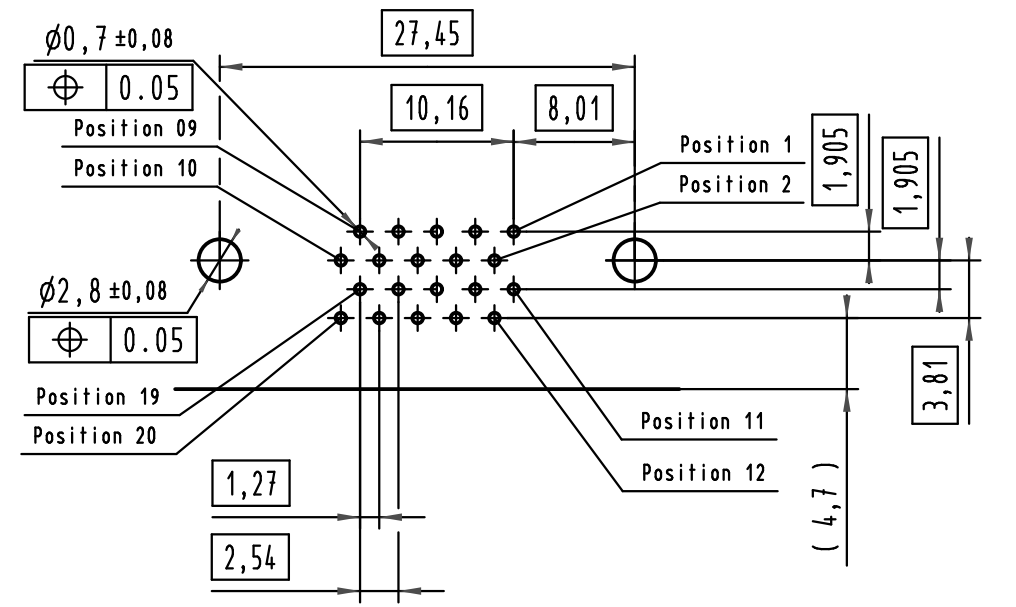
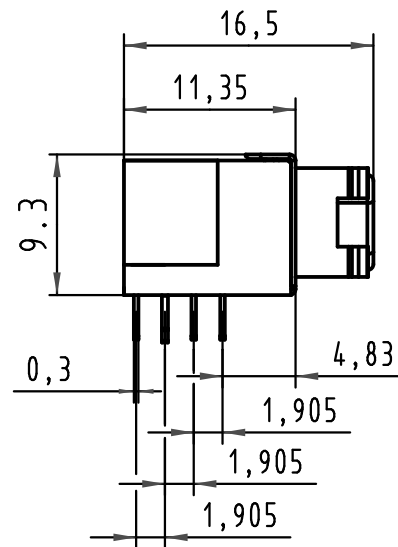
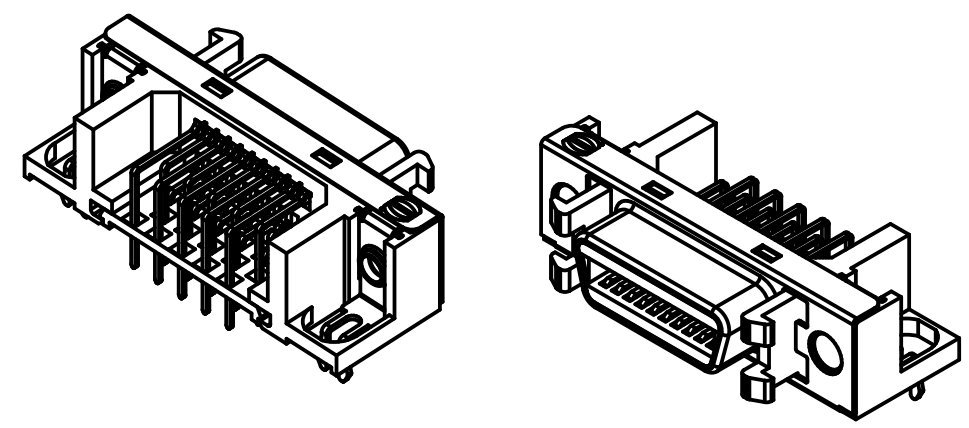
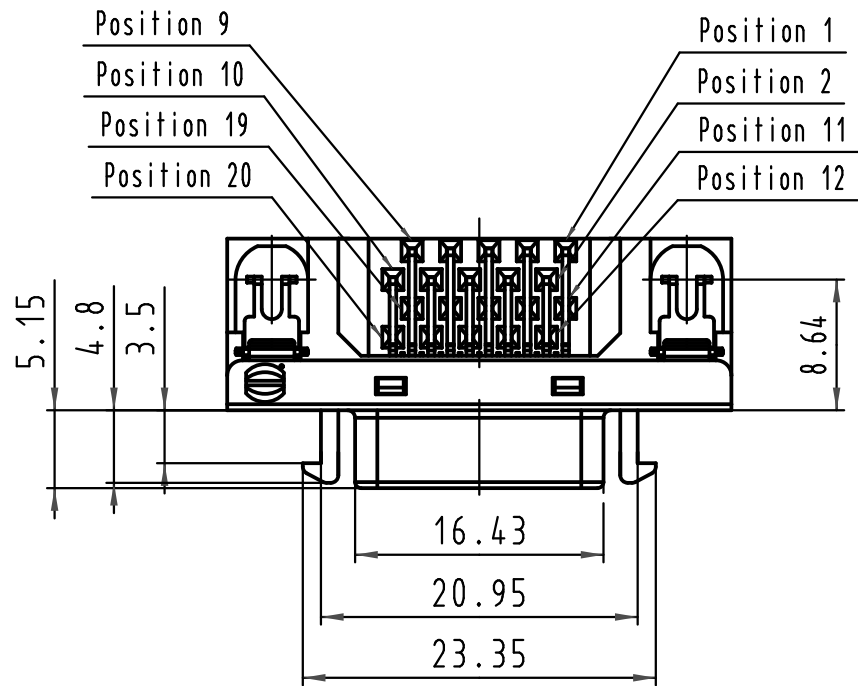


$F_i < 10N$ ;  $F_r > 1N$   
with PCB thickness 1.6-2.0mm



PCB layout: component side



According to IEC 61076-3-100

1) see TB 60 11 020 5740 folio 2/2  
for reel packaging.

All Dimensions in mm Original Size DIN A 3			Techn. Character.			Free size tolerances		
			Dat.	Name	Scale	<i>har.mik</i> ® I/O bellow 20P Har.mik female SMC with angled solder pins, boardLocks, fixed latches		
			Detail.	29-OCT-09	J.Sheng	2:1		
			Insp.					
			Stand.					
EC01456	13-Apr-10	J.Sheng	Zhuhai Harting Limited				<b>TB 60 11 020 5740</b>	
31770	29-OCT-09	J.Sheng						Page
Mod.	Dat.	Name						1/2

All rights reserved