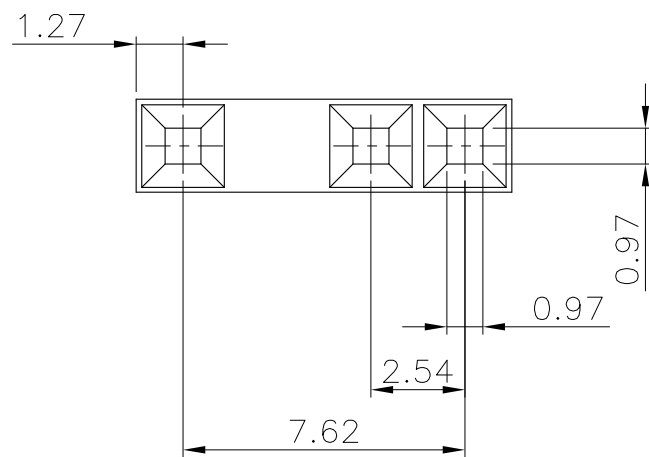
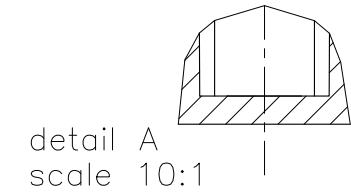
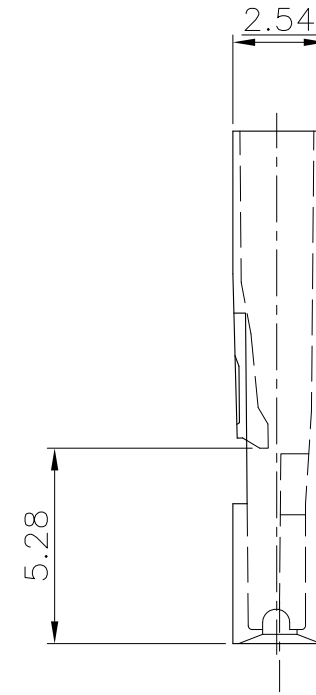
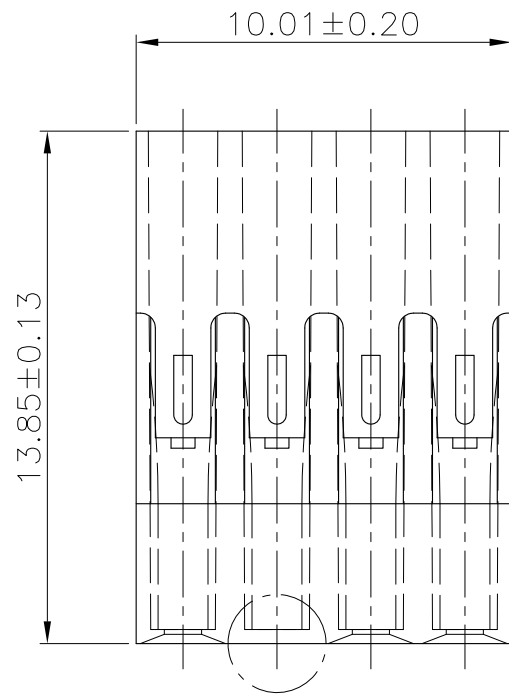


PRODUCT NUMBER
71627-001LF

"LF" INDICATES THE PRODUCT IS RoHS
COMPLIANT, SEE NOTE 5.



NOTES:

1. MATERIAL: POLYPHENYLENE OXYDE (NORYL) COLOR BLACK UL 94V-1
 2. LATCH TERMINAL MUST WITHSTAND A MIN PULL-OUT FORCE OF 2.9 Kg
 3. TERMINALS MUST BE CRIMPED PROPERLY FOR SATISFACTORY LATCHING
SEE TA-295 FOR CRIMPING INSTRUCTIONS.
 4. THIS HOUSING IS INTENDED FOR USE WITH MINI PV TERMINAL WITH 22-36
GAUGE WIRE.
 5. - RoHS COMPATIBLE PRODUCT SPECIFICATIONS
 - a - LABELING:
 - MEETS PACKAGING SPECS AS PER GS-14-920
 - b - LEGAL STATEMENT: SEE GS-22-008
- THE PRODUCT IS NOT INTENDED TO BE EXPOSED TO A
MANUFACTURING SOLDER PROCESS.

mat'l. code 16-502-001		surface ISO 1302 ✓		tolerance ISO 406 ISO 1101		projection mm		product family BERGCON	
ltr		ecn no		dr		date		title MINI-LATCH POLARIZED S.R.HOUSING	
A		H88078		CVE		89.01.12		scale 1:1	
B		F00405		VIB		00.05.16		dwg no 71627	
C		F05-0235		DLE		05.08.25		sheet 1 of 1 size A3	
D		F05-0286		DLE		05.11.07		type CUSTOMER Drawing	
E		F06-0218		DLE		06.07.11			
F		F07-0226		LMU		07.06.26			
G		B-14321		LMU		13.03.21			
sheet index		revision sheet							



Copyright FCI