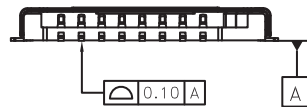


LAYOUT - COMPONENT VIEW
GENERAL TOLERANCE ± 0.05



TECHNICAL CHARACTERISTICS

MATERIAL
INSULATOR: LCP
FLAMMABILITY RATING: UL94-V0
COLOR: BLACK
CONTACT MATERIAL: COPPER ALLOY
CONTACT TYPE: STAMPED
CONTACT PLATING: SELECTIVE GOLD
SHIELDING: STAINLESS STEEL
QUALITY CLASS: 10000 MATING CYCLES

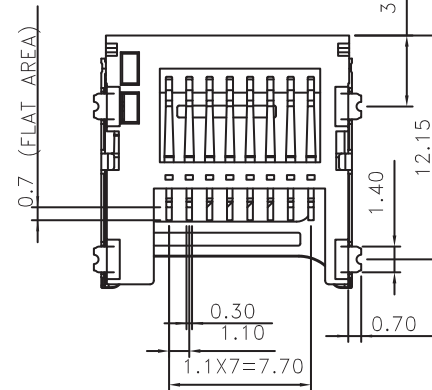
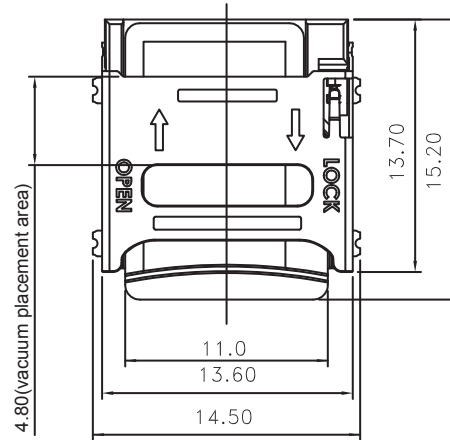
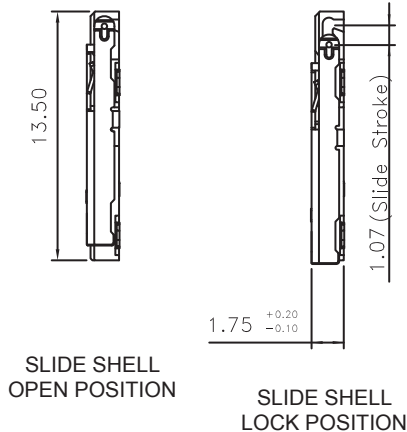
ENVIRONMENTAL
OPERATING TEMPERATURE: -25 UP TO 85°C
COMPLIANCE: LEAD FREE AND ROHS

ELECTRICAL
CURRENT RATING: 0.5 A
WORKING VOLTAGE: 100 V AC
INSULATOR RESISTANCE: >1000 MΩ
WITHSTANDING VOLTAGE: 500 VAC/MIN
CONTACT RESISTANCE: 100 mΩ MAX

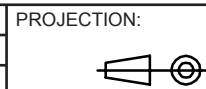
SOLDERING
JEDEC LEAD FREE REFLOW SOLDERING PROCESS

PACKAGING
TAPE & REEL

PIN No	NAME	DESCRIPTION
1	DAT2	Connector data line 2
2	CD/DAT3	CARD DETECTION
3	CMD	COMMAND/ANSWER
4	Vdd	SUPPLY VOLTAGE
5	CLK	CLOCK
6	Vss	GND
7	DAT0	Connector data line 0
8	DAT1	Connector data line 1



RoHS Compliant			
E	23-OCT-14	DIMENSION	AS
D	23-JUL-12	DIMENSION	QL
C	27-MAR-12	PINNING	QL
B	12-FEB-16	TKP	GG
A	11-AUG-31	PDF	GG
REV	DATE	FILE	BY



APPROVAL: NPr

GENERAL TOLERANCE
.X = +/- 0.2
.XX = +/- 0.10



DESCRIPTION: WR-CRD - Micro SD Card Connector - Hinge - 8 pins

WERI PART NO: 693 072 010 801

SIZE
A4

1

2

3

4

5

Cautions and Warnings:

This electronic component is designed and developed with the intention for use in general electronics equipments.

Before incorporating the components into any equipments in the field such as aerospace, aviation, nuclear control, submarine, transportation, (automotive control, train control, ship control), transportation signal, disaster prevention, medical, public information network etc. where higher safety and reliability are especially required or if there is possibility of direct damage or injury to human body, Würth Elektronik must be asked for a written approval.

In addition, even electronic component in general electronic equipments, when used in electrical circuits that require high safety, reliability functions or performance, the sufficient reliability evaluation-check for the safety must be performed before by the user before usage.

A

B

C

RoHS Compliant

G				PROJECTION: 	GENERAL TOLERANCE .X = +/- 0.2 .XX = +/- 0.15		
F							
E							
D							
C				APPROVAL: JC	UNIT: MM	DESCRIPTION: DISCLAIMER	SIZE A4
B					SCALE:		
A	10-SEP-14	PDF	QL		SHEET: 3/3	WERI PART NO: DISCLAIMER	
REV	DATE	FILE	BY		DRAW: QL		

D