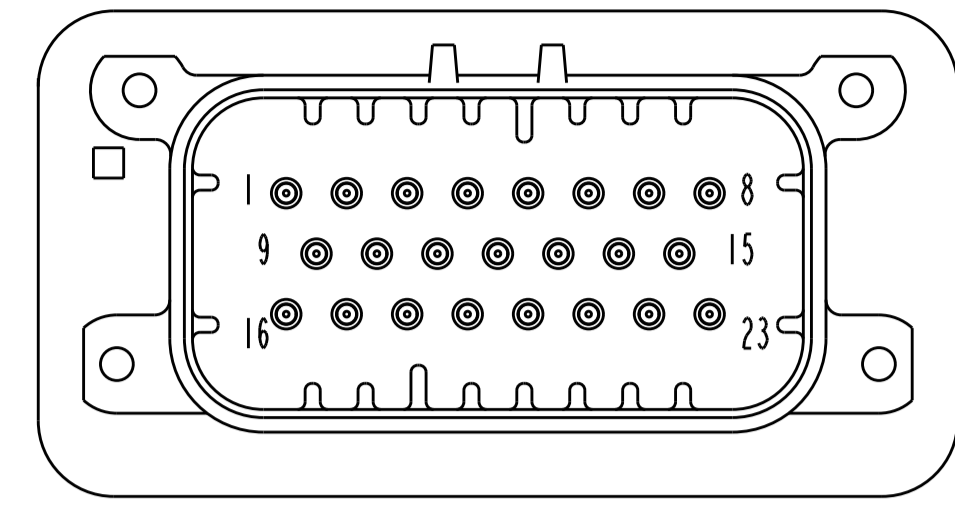
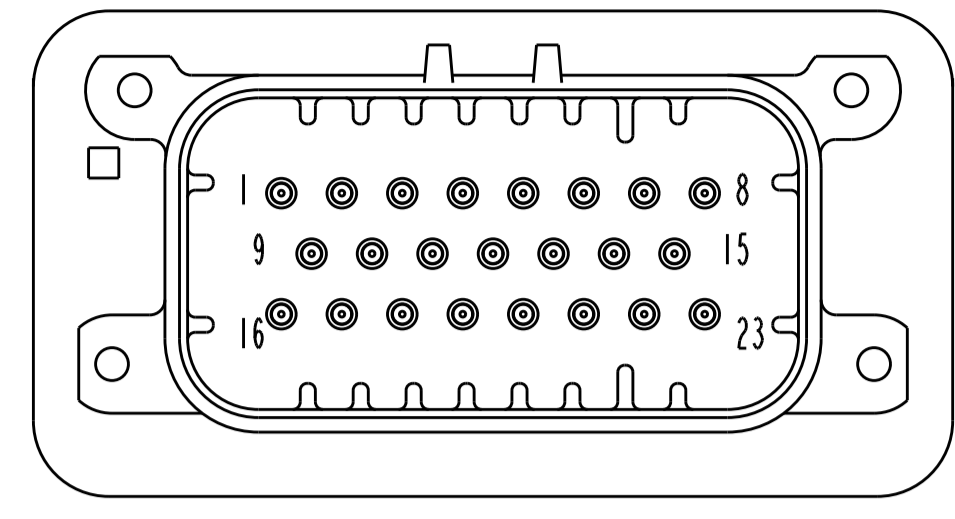


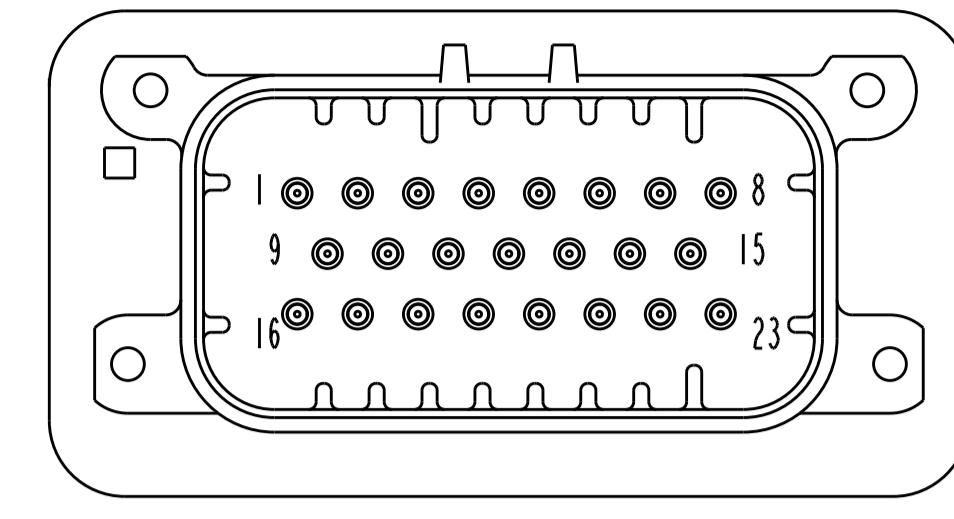
LOC	DIST	REVISIONS			
REV	LTN	DESCRIPTION	DATE	OWN	APVD
K4		REVISED PER ECO-11-005030	11MAR2011	RK	HMR
K5		REVISED PER ECO-12-009257	29MAY2012	DD	DS
K6		REVISED PER ECO-12-016002	05SEP2012	DD	DS
K7		REVISED PER ECO-13-001836	14FEB2013	DD	DS



770669-2 & 1-770669-2
 KEY LOCATION
 SCALE 2:1

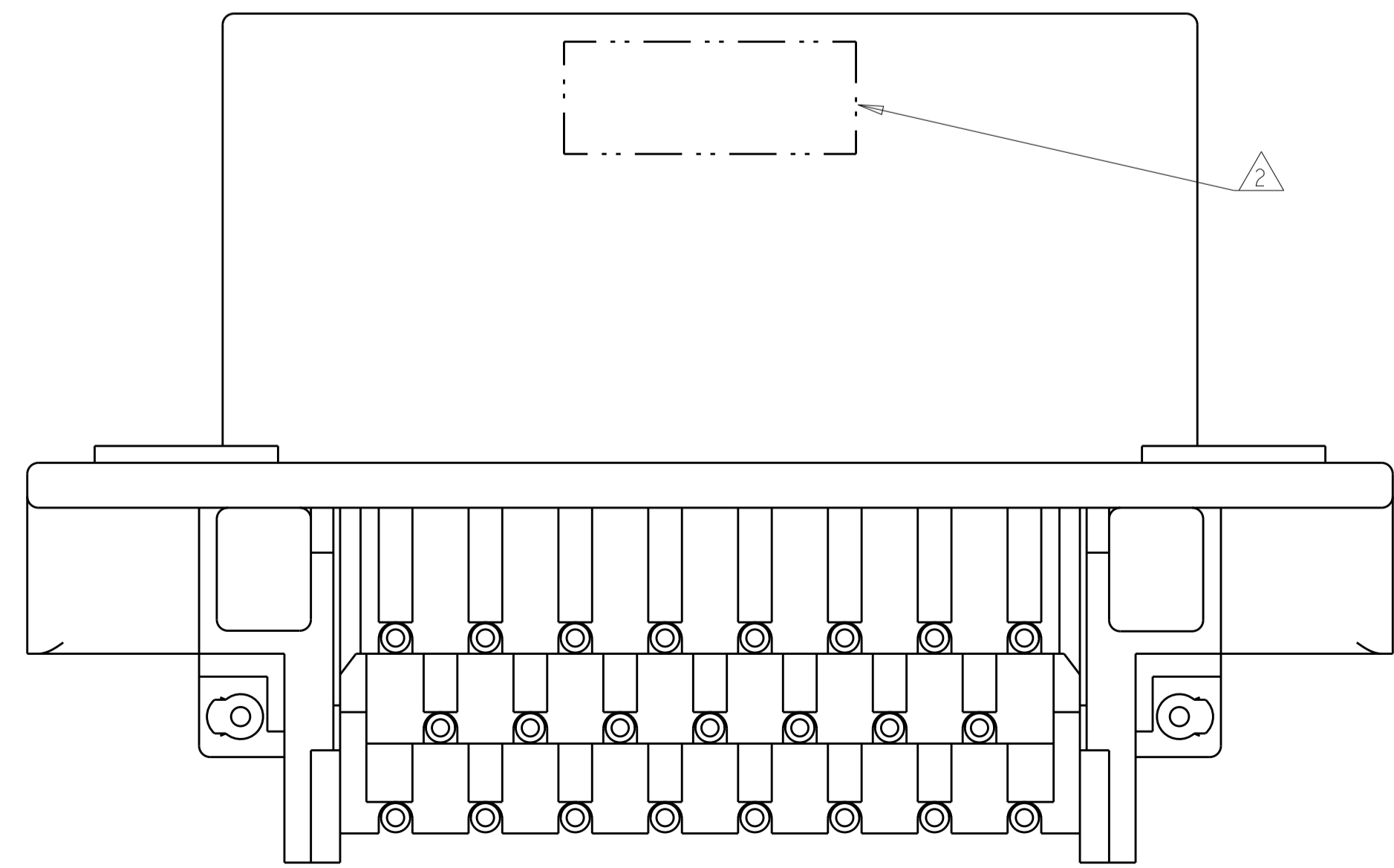
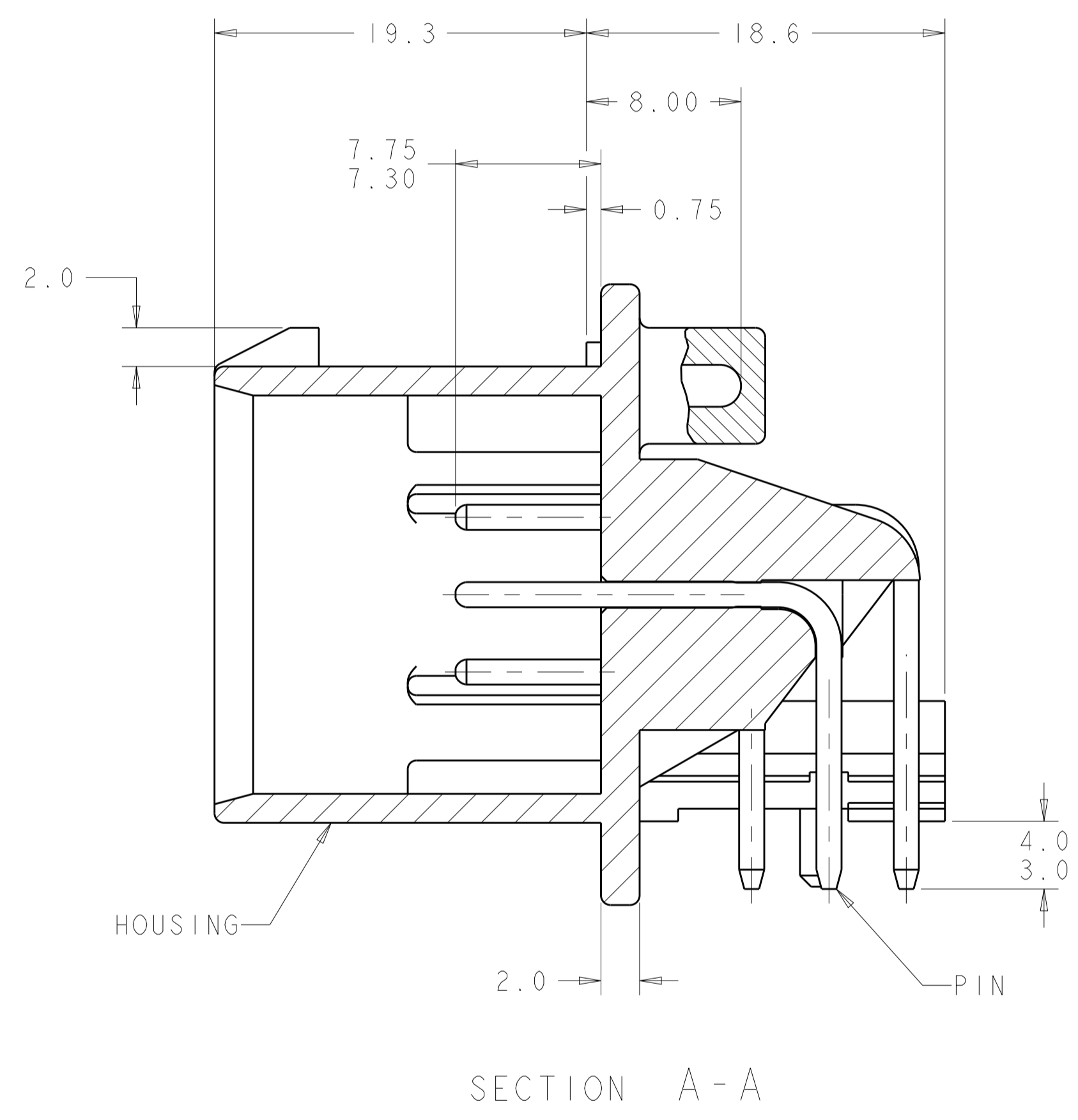
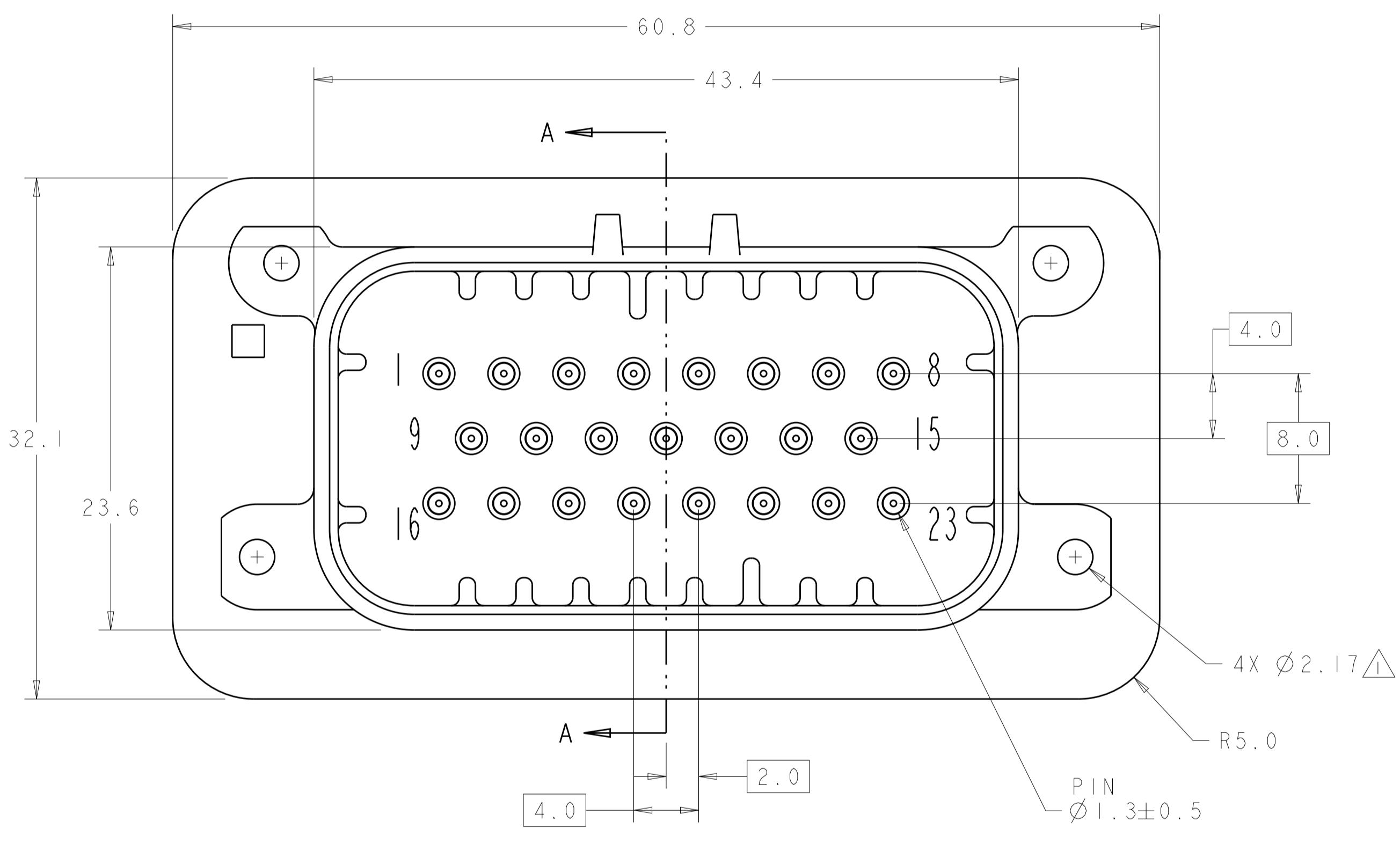


770669-4 & 1-770669-4
 KEY LOCATION
 SCALE 2:1



770669-5 & 1-770669-5
 KEY LOCATION
 SCALE 2:1

- 1 ACCEPTS #4 SELF TAPPING THREAD FORMING SCREWS OR METRIC EQUIVALENT. DRIVE TO 0.6±0.2 N-m MAX.
- 2 DATE CODE TO BE BRANDED IN THIS LOCATION PER TE SPEC 102-60 USE 5 DIGIT CODE: FIRST 2 DIGITS = YEAR, SECOND 2 DIGITS = WEEK LAST DIGIT = DAY
- 3 HOUSING COLORS ARE MECHANICALLY KEYPED TO MATE ONLY WITH IDENTICALLY COLORED PLUG ASSEMBLIES.
- 4 MATERIALS: HEADER HOUSING - GLASS FILLED PBT
 PINS: TIN OR GOLD PLATED BRASS
- 5. HEADER MATES TO PLUG ASSEMBLY 770680 WHICH USES REELED TERMINALS 770520 OR LOOSE PIECE TERMINALS 770854



770669-1 & 1-770669-1
 KEY LOCATION AS SHOWN

DURAGOLD	BLUE	1-770669-5
DURAGOLD	GRAY	1-770669-4
DURAGOLD	NATURAL	1-770669-2
DURAGOLD	BLACK	1-770669-1
TIN	BLUE	770669-5
TIN	GRAY	770669-4
TIN	NATURAL	770669-2
TIN	BLACK	770669-1
PLATING	HEADER COLOR/3	PART NUMBER

THIS DRAWING IS A CONTROLLED DOCUMENT. OWN: R. VESTAL 31DEC2002
 CHK: D. CROWE 31DEC2002
 APVD: D. CROWE 31DEC2002

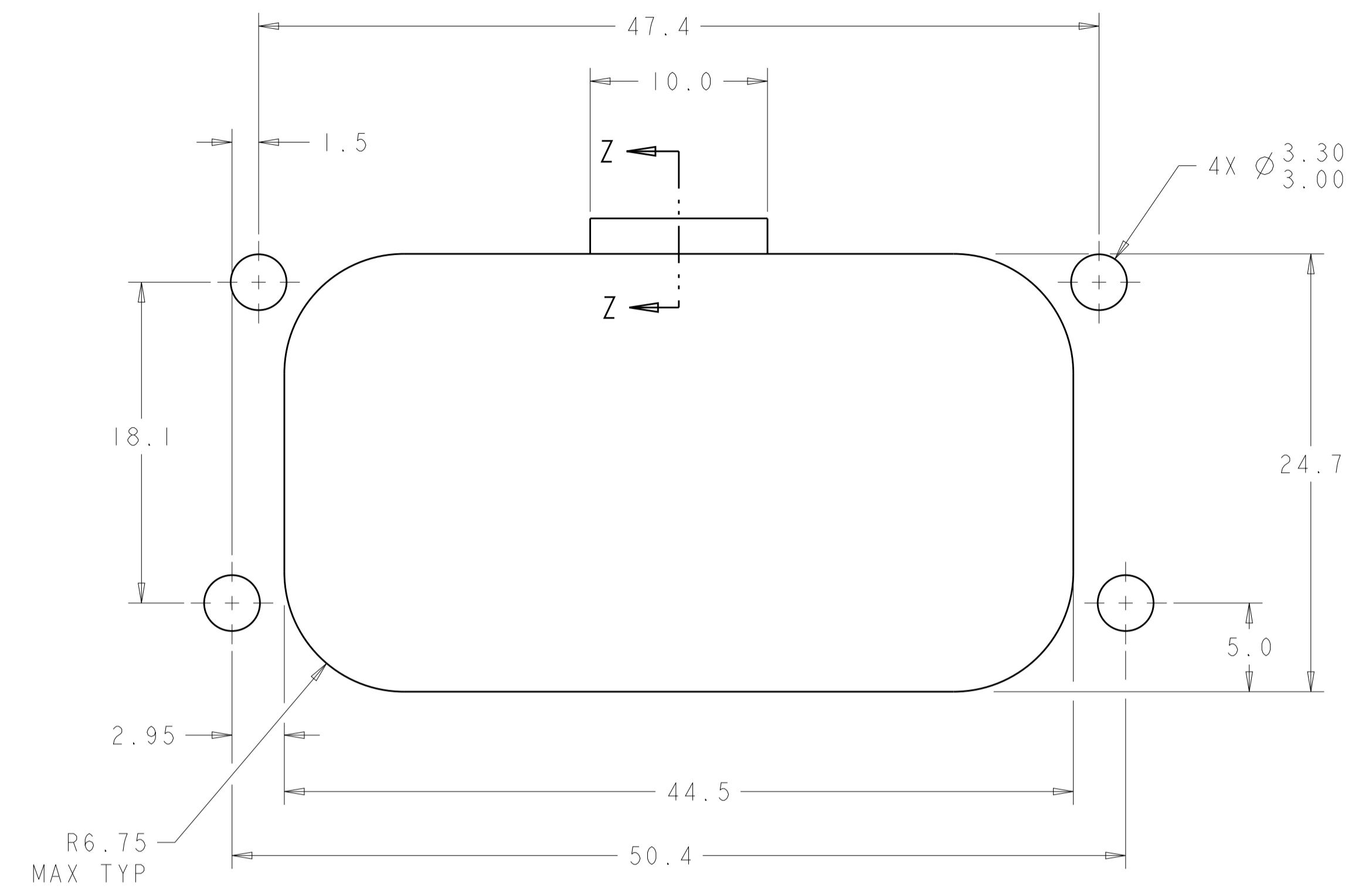
DIMENSIONS: mm
 TOLERANCES UNLESS OTHERWISE SPECIFIED:
 0 PLC ±0.3
 1 PLC ±0.13
 2 PLC ±0.13
 3 PLC ±0.13
 4 PLC ±0.13
 ANGLES ±0.5

MATERIAL: 4
 FINISH: 4

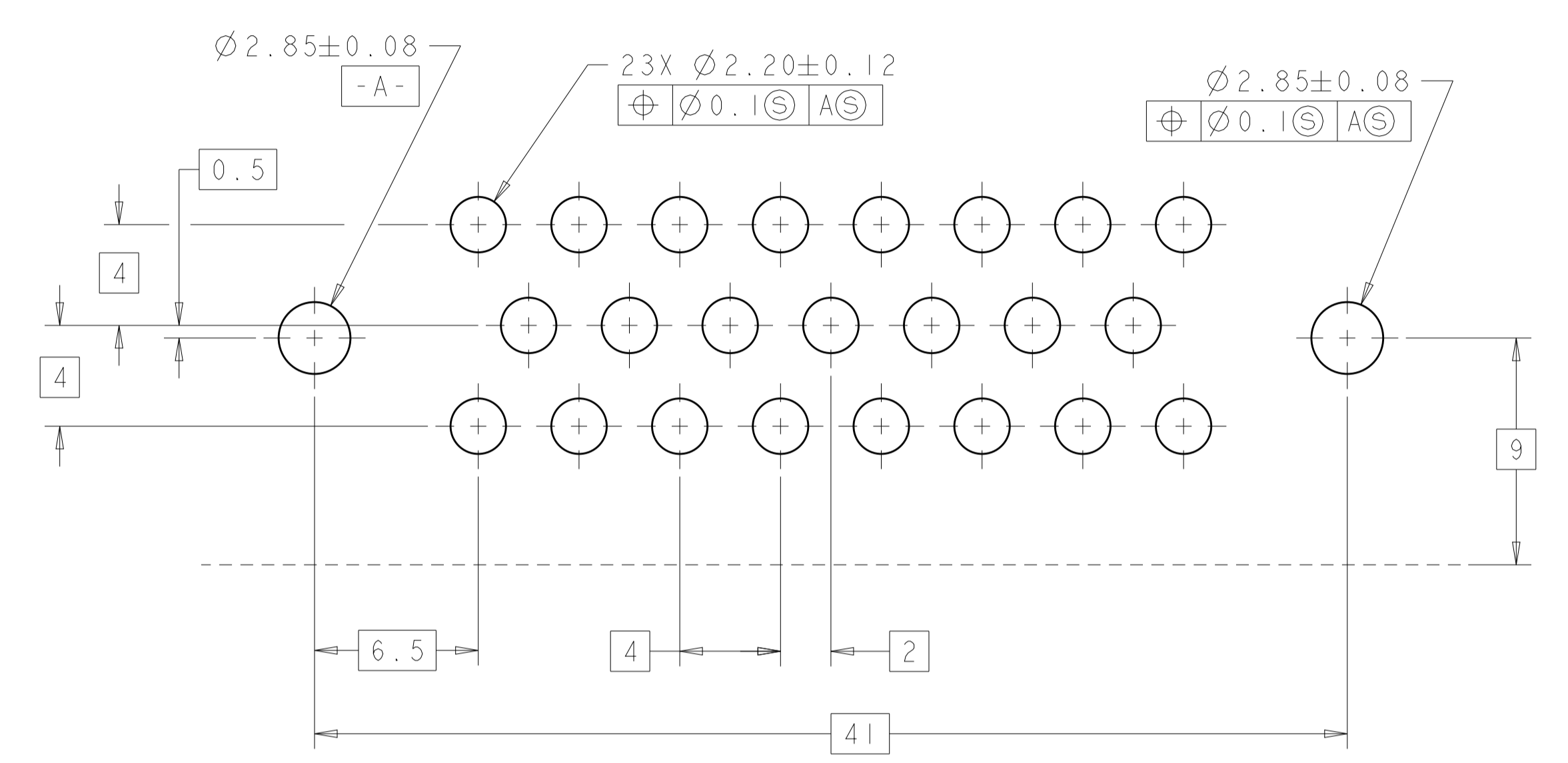
Customer Drawing

TE Connectivity
 NAME: HEADER ASSEMBLY, 23 POSITION, RIGHT ANGLE AMPSEAL
 SIZE: A100779
 CAGE CODE: 114-16016
 DRAWING NO: 770669
 RESTRICTED TO: 2
 SCALE: 4:1
 SHEET: 1 OF 2
 REV: K7

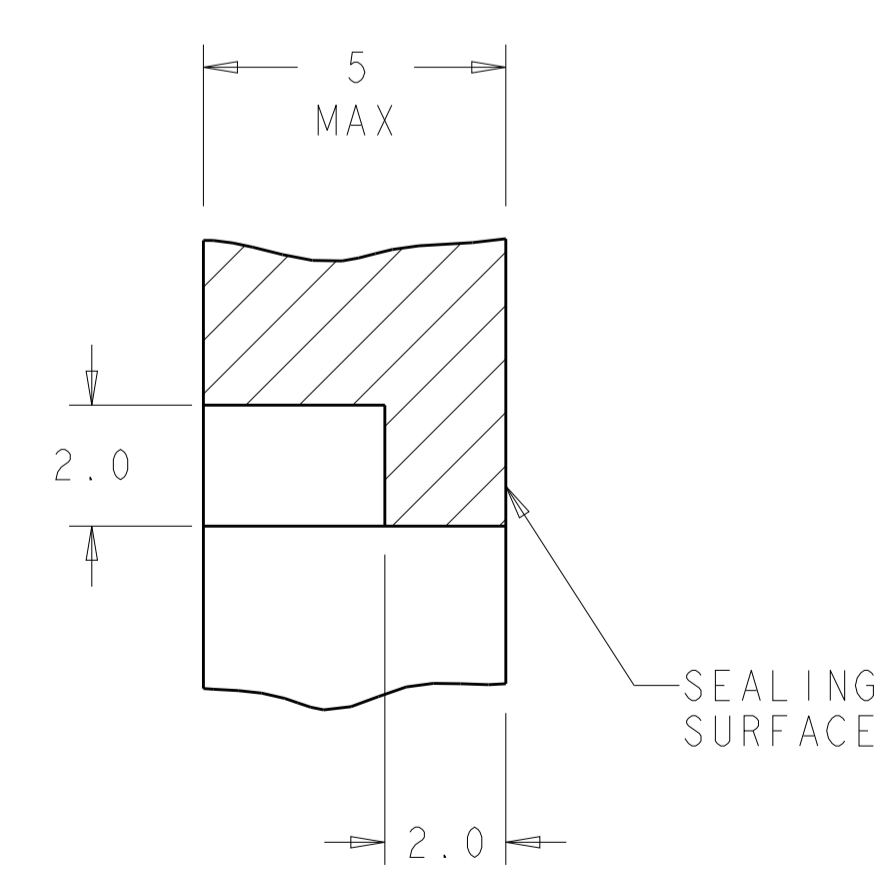
LOC	DIST	REVISIONS			
P	LTN	DESCRIPTION	DATE	DMN	APVD
-	-	SEE SHEET 1	-	-	-



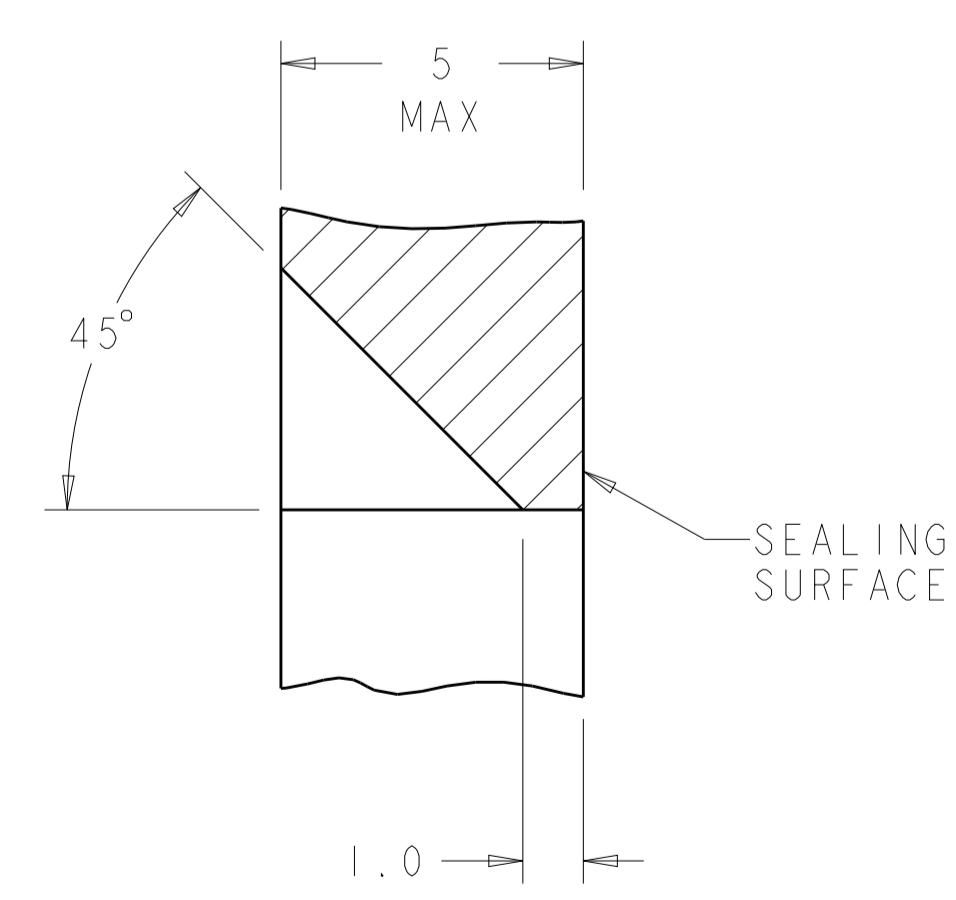
RECOMMENDED MOUNTING HOLE LAYOUT FOR 5.0 MAX THICK PANEL



RECOMMENDED P.C. BOARD LAYOUT FOR 1.57 THICK P.C. BOARD



SECTION Z-Z
 OPTIONAL CONSTRUCTION IF THICKNESS IS GREATER THAN 2.0
 SCALE 8:1



SECTION Z-Z
 OPTIONAL CONSTRUCTION IF THICKNESS IS GREATER THAN 2.0
 SCALE 8:1

THIS DRAWING IS A CONTROLLED DOCUMENT.		DMN R. VESTAL 31DEC2002	TE Connectivity
DIMENSIONS: mm		CHK D. CROWE 31DEC2002	
TOLERANCES UNLESS OTHERWISE SPECIFIED:		APVD D. CROWE 31DEC2002	NAME
0 PLC ±	1 PLC ±0.3	PRODUCT SPEC	HEADER ASSEMBLY, 23 POSITION, RIGHT ANGLE AMPSEAL
2 PLC ±0.13	3 PLC ±	APPLICATION SPEC	SIZE CAGE CODE DRAWING NO RESTRICTED TO
4 PLC ±	ANGLES ±	WEIGHT	A100779C=770669
MATERIAL	FINISH	Customer Drawing	SCALE 2:1 SHEET 2 OF 2 REV K7