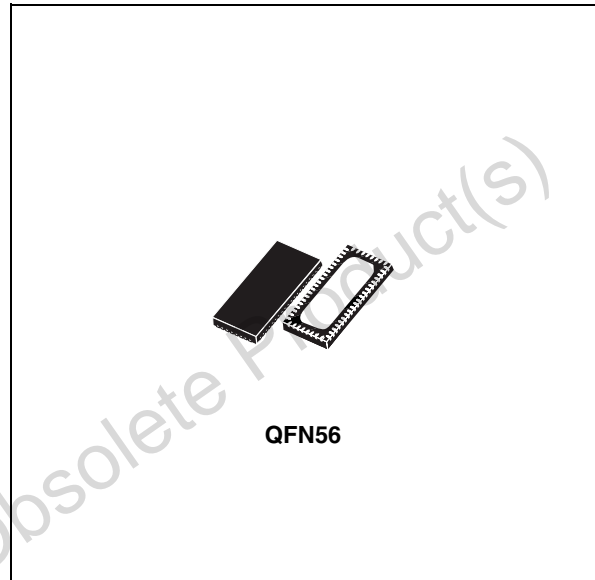


## High bandwidth analog switch with 16-to-8 bit MUX/DEMUX

### Features

- Low  $R_{ON}$ : 5.5  $\Omega$  typical
- $V_{CC}$  operating range: 3.0 to 3.6 V
- Low current consumption: 20  $\mu$ A
- ESD HBM model: > 2 kV
- Channel on capacitance: 7.5 pF typical
- Switching time speed: 9 ns
- Near to zero propagation delay: 250 ps
- Very low cross talk: -40 db at 250 MHz
- Bit-to-bit skew: 200 ps
- > 450 MHz -3 db typical bandwidth
- Package: QFN56
- Lead-free



**Table 1. Device summary**

Order code	Package	Packing
ST3DV520QTR	QFN56	Tape and reel

# 1 Description

The ST3DV520 is a 16- to 8-bit bidirectional multiplexer/demultiplexer low  $R_{ON}$  and high bandwidth switch suitable for analog video applications.

The ST3DV520 supports high definition (HD) analog video switching standards and is also suitable for general purpose switching that requires high signal integrity.

The device is designed for very low crosstalk, low bit-to-bit skew and low I/O capacitance. The signal from each input is multiplexed into one of two selected outputs while the unselected switch goes to HI-Z status.

# 2 Pin description

Figure 1. Pin connection (top through view)

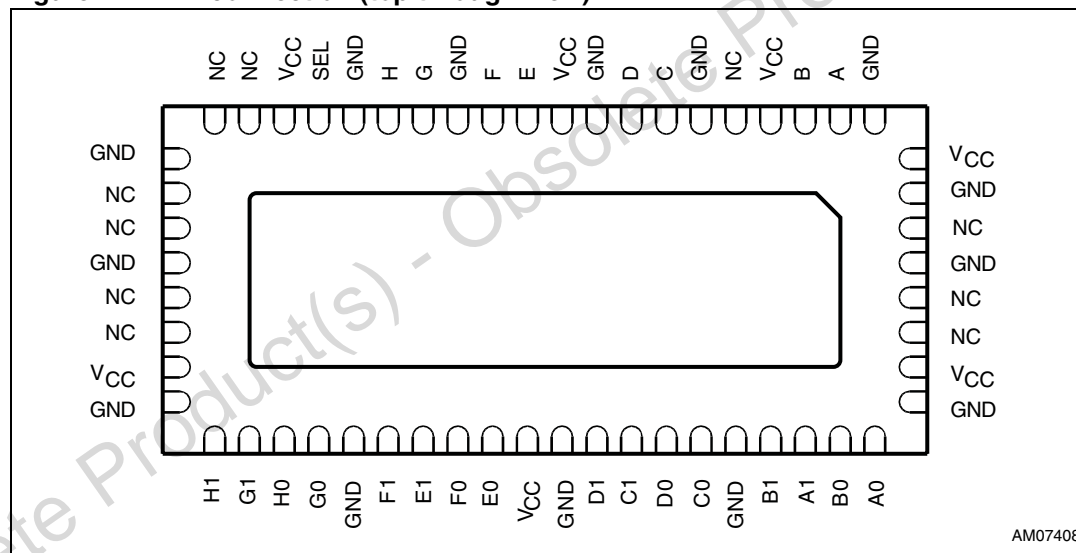
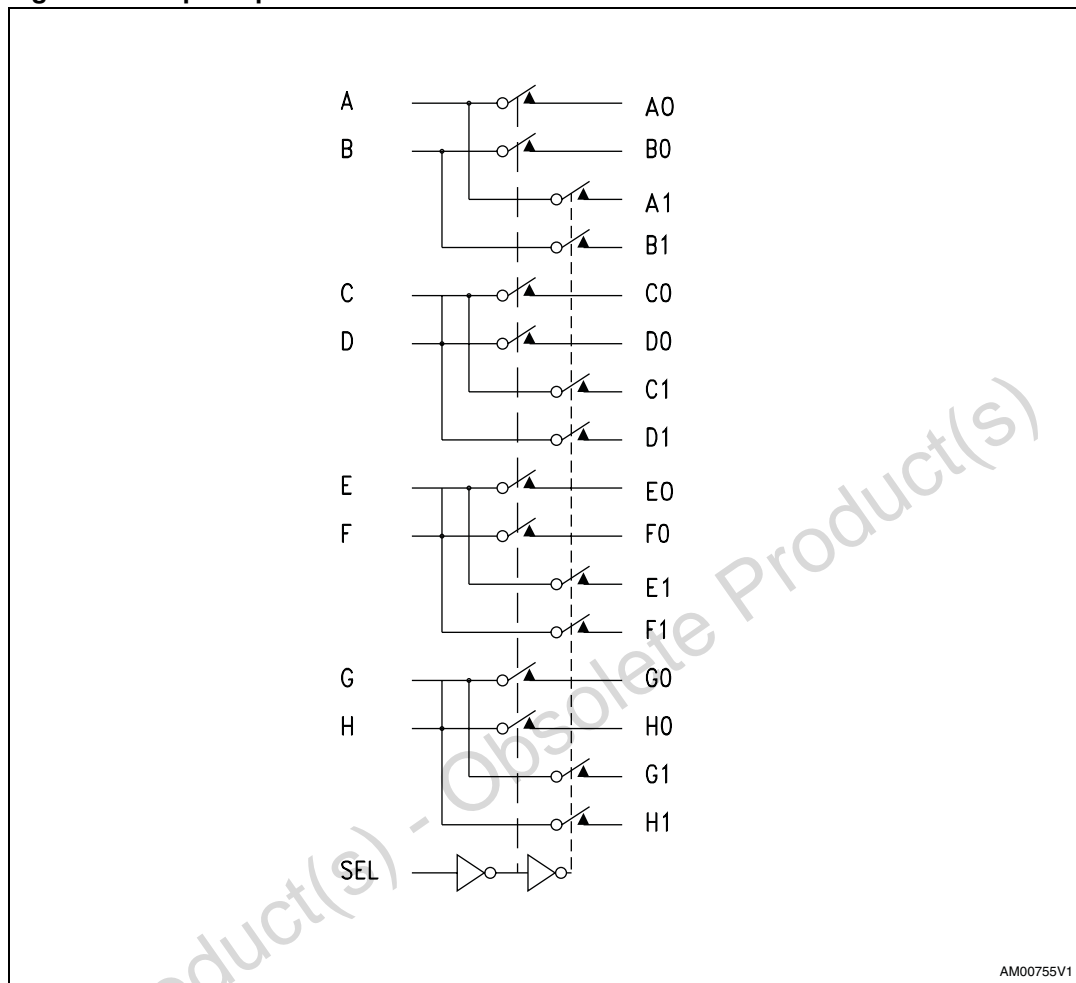


Table 2. Pin description

Pin number	Symbol	Name and function
2, 3, 7, 8, 11, 12, 14, 15	A, B, C, D, E, F, G, H	8-bit bus
31, 32, 36, 37, 42, 43, 47, 48	A0, B0, C0, D0, E0, F0, G0, H0	8-bit multiplexed to bus 0
29, 30, 35, 40, 41, 45, 46	A1, B1, C1, D1, E1, F1, G1, H1	8-bit multiplexed to bus 1
17	SEL	Bus switch selection
5, 19, 20, 22, 23, 25, 26, 51, 52, 54	NC	Not connected
4, 10, 18, 27, 38, 50, 56	V <sub>CC</sub>	Supply voltage
1, 6, 9, 13, 16, 21, 24, 28, 33, 39, 44, 49, 53, 55	GND	Ground

Figure 2. Input equivalent circuit



AM00755V1

Table 3. Switch function table

SE	Function
L	8-bit bus to 8-bit multiplexed bus 0
H	8-bit bus to 8-bit multiplexed bus 1

### 3 Maximum ratings

Stressing the device above the rating listed in the “Absolute Maximum Ratings” table may cause permanent damage to the device. These are stress ratings only and operation of the device at these or any other conditions above those indicated in the Operating sections of this specification is not implied. Exposure to absolute maximum rating conditions for extended periods may affect device reliability. Refer also to the STMicroelectronics™ SURE program and other relevant quality documents.

#### 3.1 Absolute maximum ratings

Table 4. Absolute maximum ratings

Symbol	Parameter	Value	Unit
$V_{CC}$	Supply voltage to ground	-0.5 to 4	V
$V_I$	DC input voltage	-0.5 to 4	V
$V_{IC}$	DC control input voltage	-0.5 to 4	V
$I_O$	DC output current <sup>(1)</sup>	120	mA
$P_D$	Power dissipation	0.5	W
$T_{stg}$	Storage temperature	-65 to 150	°C
$T_L$	Lead temperature (10 sec)	300	°C

1. If  $V_{IO} \times I_O$  does not exceed the maximum limit of  $P_D$ .

**Table 5. DC electrical characteristics ( $T_A = -40$  to  $85$  °C,  $V_{CC} = 3.3$  V  $\pm$  10%)**

Symbol	Parameter	Test conditions	Min	Typ	Max	Unit
$V_{IH}$	Voltage input high	High level guaranteed	2			V
$V_{IL}$	Voltage input low	Low level guaranteed	-0.5		0.8	V
$V_{IK}$	Clamp diode voltage	$V_{CC} = 3.6$ V, $I_{IN} = -18$ mA		-0.8	-1.2	V
$I_{IH}$	Input high current	$V_{CC} = 3.6$ V, $V_{IN} = V_{CC}$			$\pm 5$	$\mu$ A
$I_{IL}$	Input low current	$V_{CC} = 3.6$ V, $V_{IN} = GND$			$\pm 5$	$\mu$ A
$I_{OFF}$	Power down leakage current	$V_{CC} = 0$ V, A to H $V = 0$ V, A0 to H0 and A1 to H1 $\leq 3.6$ V			$\pm 5$	$\mu$ A
$R_{ON}$	Switch ON resistance <sup>(1)</sup>	$V_{CC} = 3.0$ V, $V_{IN} = 1.5$ to $V_{CC}$ $I_{IN} = -40$ mA		5.5	7.5	$\Omega$
$R_{FLAT}$	ON resistance flatness <sup>(1)(2)</sup>	$V_{CC} = 3.0$ V, $V_{IN}$ at 1.5 and $V_{CC}$ $I_{IN} = -40$ mA		0.8		$\Omega$
$\Delta R_{ON}$	ON resistance match between channel $\Delta R_{ON} = R_{ONMAX} - R_{ONMIN}$ <sup>(1)(3)</sup>	$V_{CC} = 3.0$ V, $V_{IN} = 1.5$ to $V_{CC}$ $I_{IN} = -40$ mA		0.5	1	$\Omega$

1. Measured by voltage drop between channels at indicated current through the switch. ON resistance is determined by the lower of the voltage.
2. Flatness is defined as the difference between the  $R_{ONMAX}$  and  $R_{ONMIN}$  of ON resistance over the specified range.
3.  $\Delta R_{ON}$  measured at same  $V_{CC}$ , temperature and voltage level.

**Table 6. Capacitance specifications ( $T_A = 25$  °C,  $f = 1$  MHz)**

Symbol	Parameter	Test conditions	Min	Typ	Max	Unit
$C_{IN}$	Input capacitance <sup>(1)</sup>	$V_{IN} = 0$ V		2	3	pF
$C_{OFF}$	Port x0 to port x1, switch off	$V_{IN} = 0$ V		4	6	pF
$C_{ON}$	Capacitance switch on (x to x0 or x to x1)	$V_{IN} = 0$ V		7.5	11	pF

1. x = A to H, x0 = A0 to H0, x1 = A1 to H1.

**Table 7. Power supply characteristics ( $T_A = -40$  to  $85$  °C)**

Symbol	Parameter	Test conditions	Min	Typ	Max	Unit
$I_{CC}$	Quiescent power supply	$V_{CC} = 3.6$ V $V_{IN} = V_{CC}$ or GND		150	500	$\mu$ A

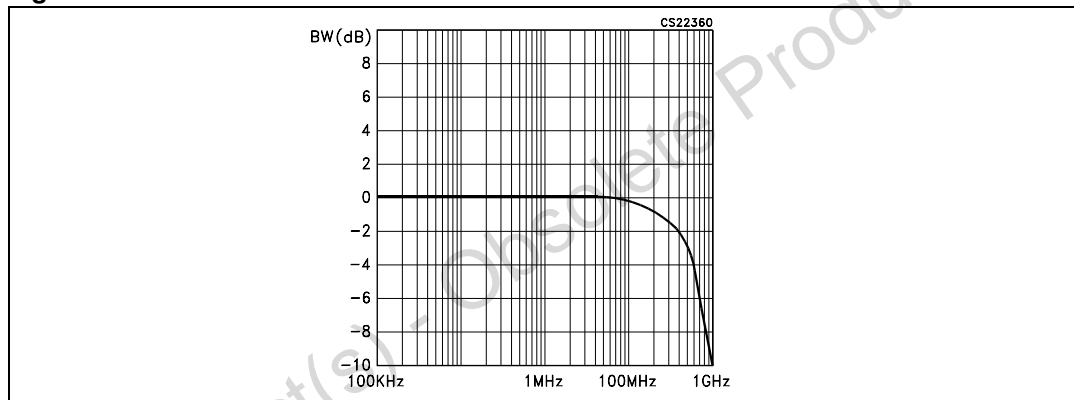
**Table 8. Dynamic electrical characteristics ( $T_A = -40$  to  $85$  °C,  $V_{CC} = 3.3$  V  $\pm$  10%)**

Symbol	Parameter	Test conditions	Min	Typ	Max	Unit
$X_{talk}$	Crosstalk	$R_L = 100$ $\Omega$ , $f = 250$ MHz		-40		dB
$O_{IRR}$	Off isolation	$R_L = 100$ $\Omega$ , $f = 250$ MHz		-36		dB
BW	-3 dB bandwidth	$R_L = 100$ $\Omega$		450		MHz

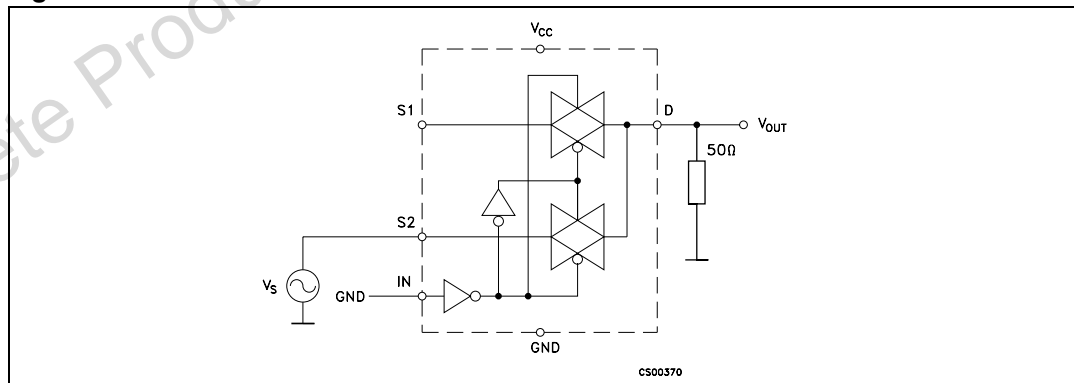
**Table 9. Switching characteristics ( $T_A = -40$  to  $85$  °C,  $V_{CC} = 3.3$  V  $\pm$  10%)**

Symbol	Parameter	Test conditions	Min	Typ	Max	Unit
$t_{PD}$	Propagation delay	$V_{CC} = 3$ V to 3.6 V		0.25		ns
$t_{PZH}, t_{PZL}$	Line enable time, SE to x to x0 or x to x1	$V_{CC} = 3$ V to 3.6 V	0.5	6.5	9	ns
$t_{PHZ}, t_{PLZ}$	Line disable time, SE to x to x0 or x to x1	$V_{CC} = 3$ V to 3.6 V	0.5	6.5	8.5	ns
$t_{SK(O)}$	Output skew between center port to any other port	$V_{CC} = 3$ V to 3.6 V		0.1	0.2	ns
$t_{SK(P)}$	Skew between opposite transition of the same output ( $t_{PHL}, t_{PLH}$ )	$V_{CC} = 3$ V to 3.6 V		0.1	0.2	ns

**Figure 3. Bandwidth**



**Figure 4. Schematic bandwidth**



## 4 Package mechanical data

In order to meet environmental requirements, ST offers these devices in different grades of ECOPACK® packages, depending on their level of environmental compliance. ECOPACK® specifications, grade definitions and product status are available at: [www.st.com](http://www.st.com). ECOPACK® is an ST trademark.

**Figure 5. QFN56 (11 x 5 mm) package outline**

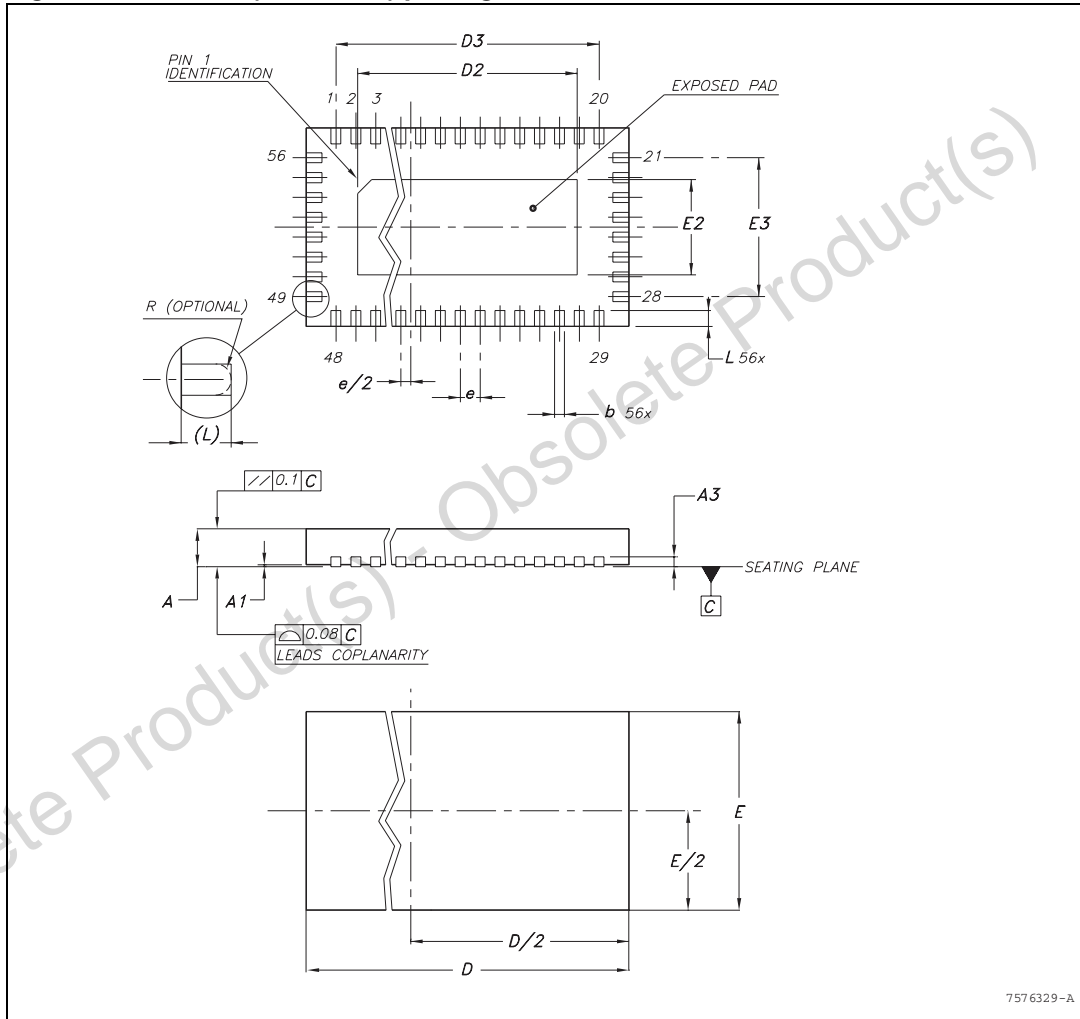
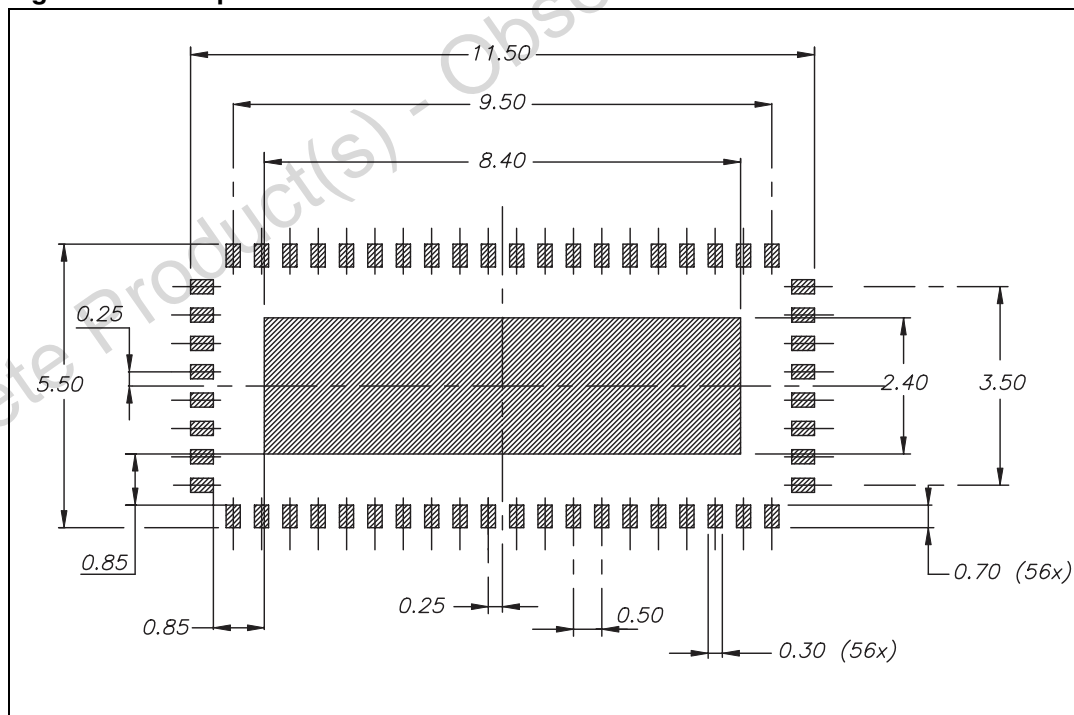


Table 10. QFN56 (11 x 5 mm) mechanical data

Symbol	millimeters			inches		
	Min	Typ	Max	Min	Typ	Max
A	0.70	0.75	0.80	0.028	0.030	0.031
A1			0.05			0.002
A3		0.20			0.008	
b	0.20	0.25	0.30	0.008	0.010	0.012
D	10.90	11.00	11.10	0.429	0.433	0.437
D2	8.30	8.40	8.50	0.327	0.331	0.335
D3		9.50			0.374	
E	4.90	5.00	5.10	0.193	0.197	0.201
E2	2.30	2.40	2.50	0.091	0.094	0.098
E3		3.50			0.138	
e		0.50			0.020	
L	0.30	0.40	0.50	0.012	0.016	0.020

Figure 6. Footprint recommendation





## 5 Revision history

Table 11. Document revision history

Date	Revision	Changes
12-Jun-2007	1	Initial release.
9-Oct-2008	2	Modified: title and pinout configuration. Added: <a href="#">Figure 6: Footprint recommendation on page 8</a> .
30-Nov-2010	3	Removed status "Preliminary Data", document reformatted, replaced $V_{DD}$ by $V_{CC}$ in <a href="#">Figure 1</a> , <a href="#">Table 2</a> , updated text ECOPACK <sup>®</sup> in <a href="#">Section 4</a> , corrected typo in <a href="#">Features, Description, Table 2, Table 3, Table 5 to Table 9</a> , removed note below <a href="#">Table 9</a> .

**Please Read Carefully:**

Information in this document is provided solely in connection with ST products. STMicroelectronics NV and its subsidiaries ("ST") reserve the right to make changes, corrections, modifications or improvements, to this document, and the products and services described herein at any time, without notice.

All ST products are sold pursuant to ST's terms and conditions of sale.

Purchasers are solely responsible for the choice, selection and use of the ST products and services described herein, and ST assumes no liability whatsoever relating to the choice, selection or use of the ST products and services described herein.

No license, express or implied, by estoppel or otherwise, to any intellectual property rights is granted under this document. If any part of this document refers to any third party products or services it shall not be deemed a license grant by ST for the use of such third party products or services, or any intellectual property contained therein or considered as a warranty covering the use in any manner whatsoever of such third party products or services or any intellectual property contained therein.

**UNLESS OTHERWISE SET FORTH IN ST'S TERMS AND CONDITIONS OF SALE ST DISCLAIMS ANY EXPRESS OR IMPLIED WARRANTY WITH RESPECT TO THE USE AND/OR SALE OF ST PRODUCTS INCLUDING WITHOUT LIMITATION IMPLIED WARRANTIES OF MERCHANTABILITY, FITNESS FOR A PARTICULAR PURPOSE (AND THEIR EQUIVALENTS UNDER THE LAWS OF ANY JURISDICTION), OR INFRINGEMENT OF ANY PATENT, COPYRIGHT OR OTHER INTELLECTUAL PROPERTY RIGHT.**

**UNLESS EXPRESSLY APPROVED IN WRITING BY AN AUTHORIZED ST REPRESENTATIVE, ST PRODUCTS ARE NOT RECOMMENDED, AUTHORIZED OR WARRANTED FOR USE IN MILITARY, AIR CRAFT, SPACE, LIFE SAVING, OR LIFE SUSTAINING APPLICATIONS, NOR IN PRODUCTS OR SYSTEMS WHERE FAILURE OR MALFUNCTION MAY RESULT IN PERSONAL INJURY, DEATH, OR SEVERE PROPERTY OR ENVIRONMENTAL DAMAGE. ST PRODUCTS WHICH ARE NOT SPECIFIED AS "AUTOMOTIVE GRADE" MAY ONLY BE USED IN AUTOMOTIVE APPLICATIONS AT USER'S OWN RISK.**

Resale of ST products with provisions different from the statements and/or technical features set forth in this document shall immediately void any warranty granted by ST for the ST product or service described herein and shall not create or extend in any manner whatsoever, any liability of ST.

ST and the ST logo are trademarks or registered trademarks of ST in various countries.

Information in this document supersedes and replaces all information previously supplied.

The ST logo is a registered trademark of STMicroelectronics. All other names are the property of their respective owners.

© 2010 STMicroelectronics - All rights reserved

STMicroelectronics group of companies

Australia - Belgium - Brazil - Canada - China - Czech Republic - Finland - France - Germany - Hong Kong - India - Israel - Italy - Japan - Malaysia - Malta - Morocco - Philippines - Singapore - Spain - Sweden - Switzerland - United Kingdom - United States of America

[www.st.com](http://www.st.com)