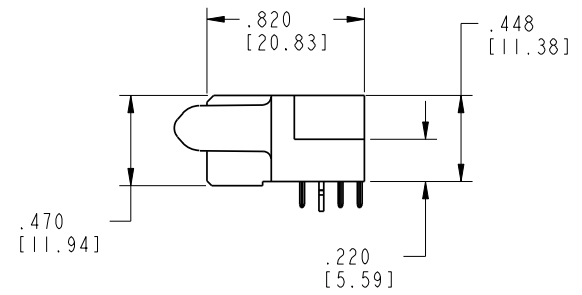
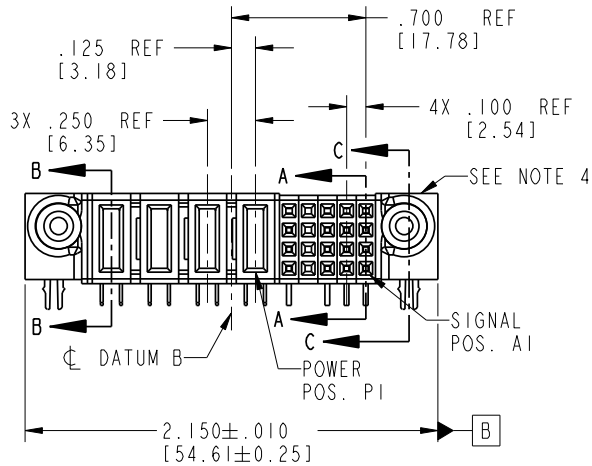
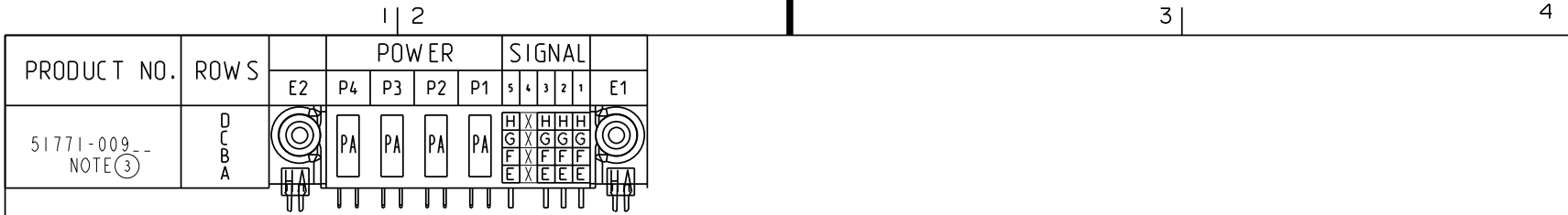


Tous droits strictement réservés. Reproduction ou communication a des tiers interdite sous quelque forme que ce soit sans autorisation écrite du propriétaire. Propriété de c.FCI. Droits de reproduction FCI.

All rights strictly reserved. Reproduction or issue to third parties in any form whatever is not permitted without written authority from the proprietor. Property of FCI. Copyright FCI.



CODE	DIM "M" MATING LENGTH	CONTACT TYPE
PA	.042 [1.07]	POWER
H	N/A [N/A]	SIGNAL
G	N/A [N/A]	SIGNAL
F	N/A [N/A]	SIGNAL
E	N/A [N/A]	SIGNAL
HA	N/A [N/A]	HOLD-DOWN
X	OMITTED	OMITTED

SEE NOTE 2				tolerances unless otherwise specified		CUSTOMER	
lir	ecn no.	dr	date	linear	angles	COPY	
A	DG06-0145	JMG	04/07/06	.XX±.01/0.X±0.3	0°±2°	projection	
				.XX±.005/0.XX±0.13		INCH/MM	
				.XXX±.0020/0.XXX±0.051		scale	
						1:1	
				dr JM GUO 04/07/06		product family PwrBlade	
				enrg STEVEN WANG 04/07/06		code 213	
				chr BEER FU 04/07/06		sheet 1 of 4	
				oppd JOSEPH HSIA 04/07/06		size A	
sheet index	revision sheet	A 1	A 2	A 3	A 4	dwg no 51771-009	

FCI		www.fciconnect.com	
title		20S + 4P	
R/A STB RECEPTACLE		product family PwrBlade	
code 213		size A	
sheet 1 of 4		dwg no 51771-009	

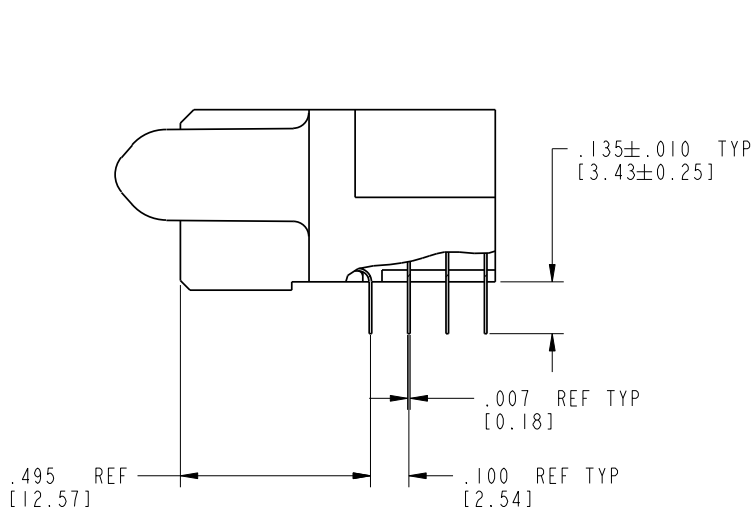
Tous droits strictement reserves. Reproduction ou communication a des tiers interdite sous quelque forme que ce soit sans autorisation ecrite du proprietaire. Propriete de c FCI. Droits de reproduction FCI.

All rights strictly reserved. Reproduction or issue to third parties in any form whatever is not permitted without written authority from the proprietor. Property of FCI. Copyright FCI.

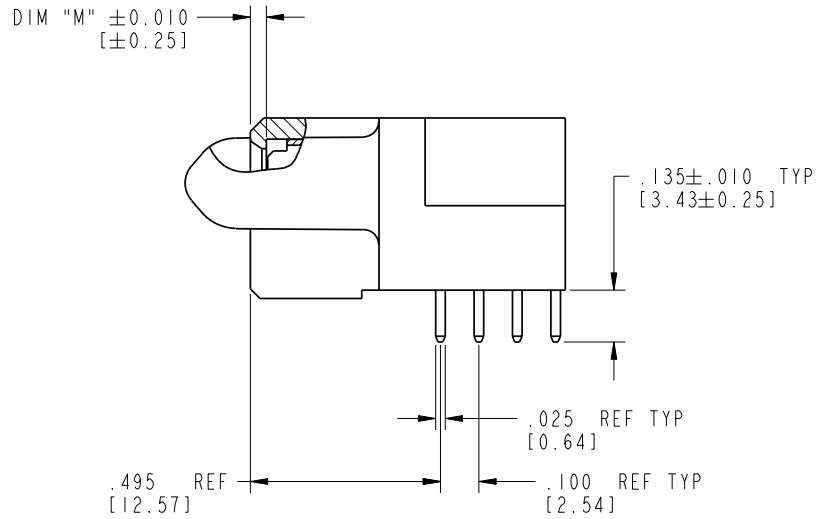


PRODUCT NUMBER

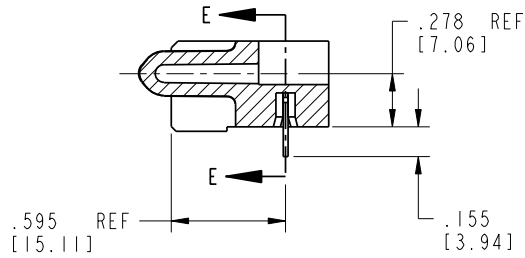
51771-009--
NOTE ③



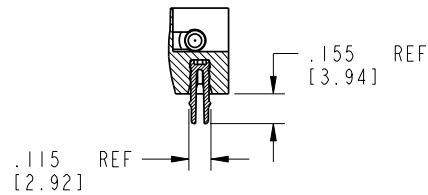
BROKEN-OUT SECTION A-A
SCALE 2:1



BROKEN-OUT SECTION B-B
SCALE 2:1



SECTION C-C



SECTION E-E

mol'l code		SEE NOTE 2		tolerances unless otherwise specified		CUSTOMER		 www.fciconnect.com	
lir	ecn no.	dr	date	linear	.XX±.01/0.X±0.3	projection	title		
A					.XX±.005/0.XX±0.13		20S + 4P		
				angles	.XXX±.0020/0.XXX±0.051		R/A STB RECEPTACLE		
				dr	0°±2°	INCH/MM	product family	PwrBlade	code
				engr	JM GUO 04/07/06	scale	size	A	213
				chr	STEVEN WANG 04/07/06	1:1	dwg no	51771-009	sheet
				appd	BEER FU 04/07/06				2 of 4
					JOSEPH HSIA 04/07/06				
sheet index	revision sheet								

cage code 2856
STAT US: Released

Printed: Dec 20, 2010

PDM: Rev: A

Pro/E

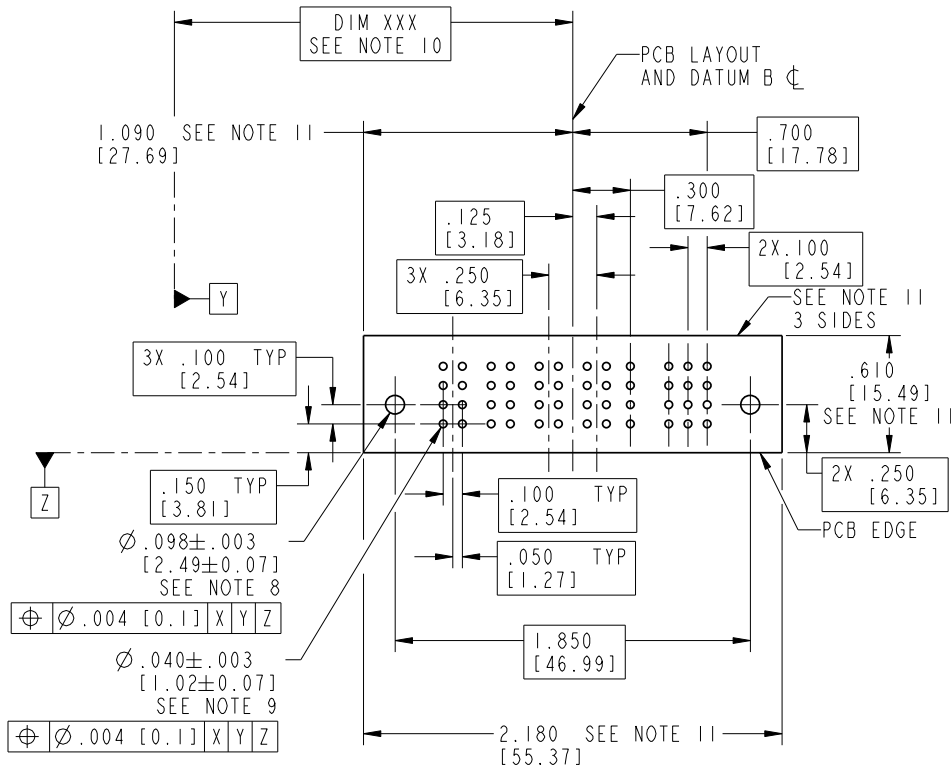
Tous droits strictement réservés. Reproduction ou communication a des tiers interdite sous quelque forme que ce soit sans autorisation écrite du propriétaire. Propriété de c FCI. Droits de reproduction FCI.

All rights strictly reserved. Reproduction or issue to third parties in any form whatever is not permitted without written authority from the proprietor. Property of FCI. Copyright FCI.



PRODUCT NUMBER

51771-009__
NOTE ③



mat'l code		SEE NOTE 2		tolerances unless otherwise specified		CUSTOMER		FCI		www.fciconnect.com	
lir	ecn no.	dr	date	linear	.XX±.01/0.X±0.3	projection	title	20S + 4P R/A STB RECEPTACLE			
A				angles	.XXX±.005/0.XX±0.13 .XXX±.002/0.XXX±0.051	INCH/MM	product family	PwrBlade			
				dr	JM GUO 04/07/06	scale	size	dwg no	code		
				enr	STEVEN WANG 04/07/06	1:1	A	51771-009	213		
				chr	BEER FU 04/07/06				sheet		
				appd	JOSEPH HSIA 04/07/06				3 of 4		
sheet index	revision sheet										

Tous droits strictement reserves. Reproduction ou communication a des tiers interdite sous quelque forme que ce soit sans autorisation écrite du propriétaire. Propriete de c FCI. Droits de reproduction FCI.



All rights strictly reserved. Reproduction or issue to third parties in any form whatever is not permitted without written authority from the proprietor. Property of FCI. Copyright FCI.

1 | 2

3 |

4

PRODUCT NUMBER

51771-009__
NOTE ③

NOTES:

1. DIMENSIONS AND TOLERANCES ARE IN ACCORDANCE WITH ASME Y14.5M, 1994 UNLESS OTHERWISE SPECIFIED.

CONNECTOR NOTES:

- ② HOUSING MATERIAL: UL 94 V-0 GLASS FILLED
HIGH-TEMP THERMOPLASTIC
POWER CONTACT MATERIAL: COPPER ALLOY
SIGNAL PIN MATERIAL: COPPER ALLOY
- 3. PLATING:
51771-009,51771-009LF ,51771-009GLF PLATING SPEC. WAS SHOWN IN THE PRINT OF 10064183.
- ④ MANUFACTURER'S NAME, P/N, AND DATE CODE TO APPEAR ON THIS SURFACE.
- 5. PRODUCT SPECIFICATION GS-12-149.
APPLICATION SPECIFICATION BUS-20-067.
- 6. PACKAGED IN TRAYS.

PCB NOTES:

- 7. ALL HOLE DIAMETERS ARE FINISHED HOLE SIZE.
- ⑧ MOUNTING HOLES, WHERE APPLICABLE, ARE UNPLATED.
- ⑨ $\varnothing .0453 \pm .0010$ [1.151 \pm 0.025] DRILLED HOLES PLATED WITH .0003 [0.008] MIN SnPb OVER .001 [0.03] TO .003 [0.08] Cu PLATING TO ACHIEVE $\varnothing .040 \pm .003$ [1.02 \pm .07] HOLE.
- ⑩ "DIM XXX" TO BE DETERMINED BY THE CUSTOMER.
- ⑪ CONNECTOR KEEP-OUT ZONE.

mol'l code		SEE NOTE 2		tolerances unless otherwise specified		CUSTOMER		FCI	
lir	ecn no.	dr	date	linear	.XX \pm .01/0.X \pm 0.3	COPY		www.fciconnect.com	
A				linear	.XXX \pm .005/0.XX \pm 0.13	projection		title	
				angles	.XXX \pm .0020/0.XXX \pm 0.051			20S + 4P R/A STB RECEPTACLE	
				dr	JM GUO 04/07/06	INCH/MM		product family	
				enr	STEVEN WANG 04/07/06			PwrBlade	
				chr	BEER FU 04/07/06	scale		code	
				appd	JOSEPH HSIA 04/07/06	1:1		213	
sheet index		revision sheet				A		51771-009	
								4 of 4	

1 | 2

Pro/E

PDM: Rev: A

STAT US: Released

Printed: Dec 20, 2010