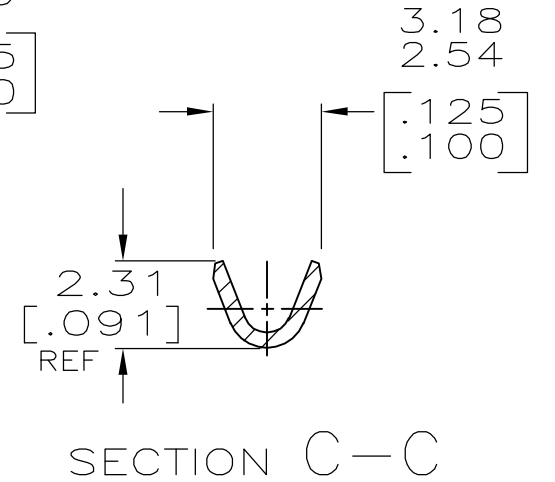
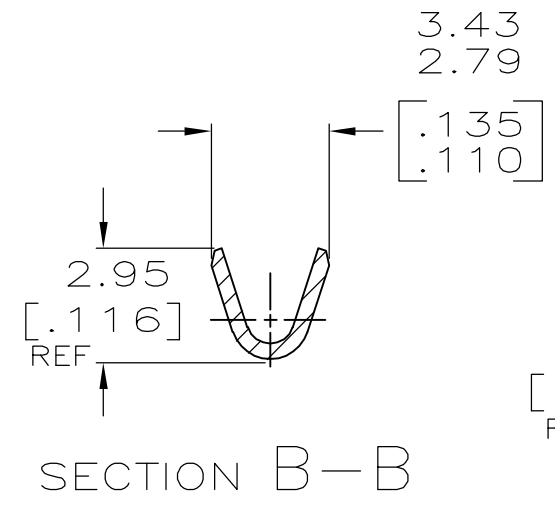
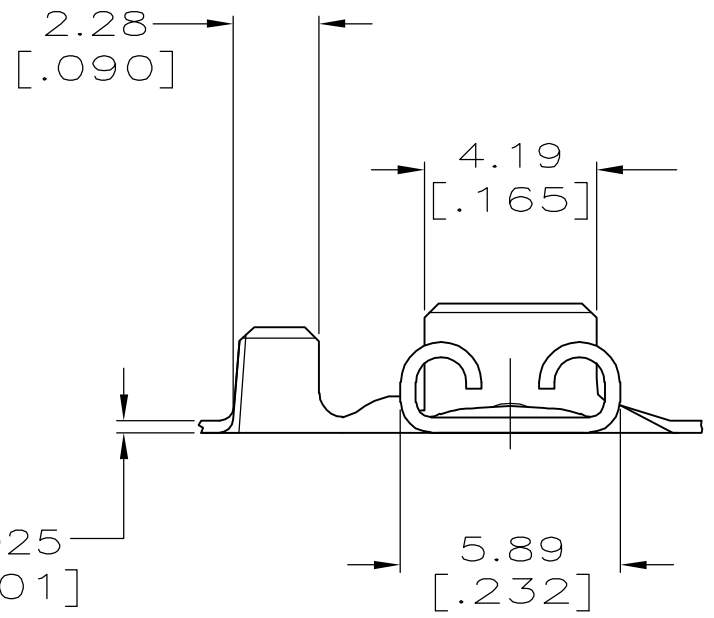
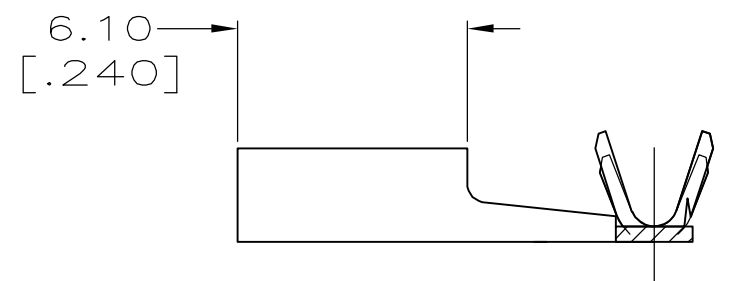
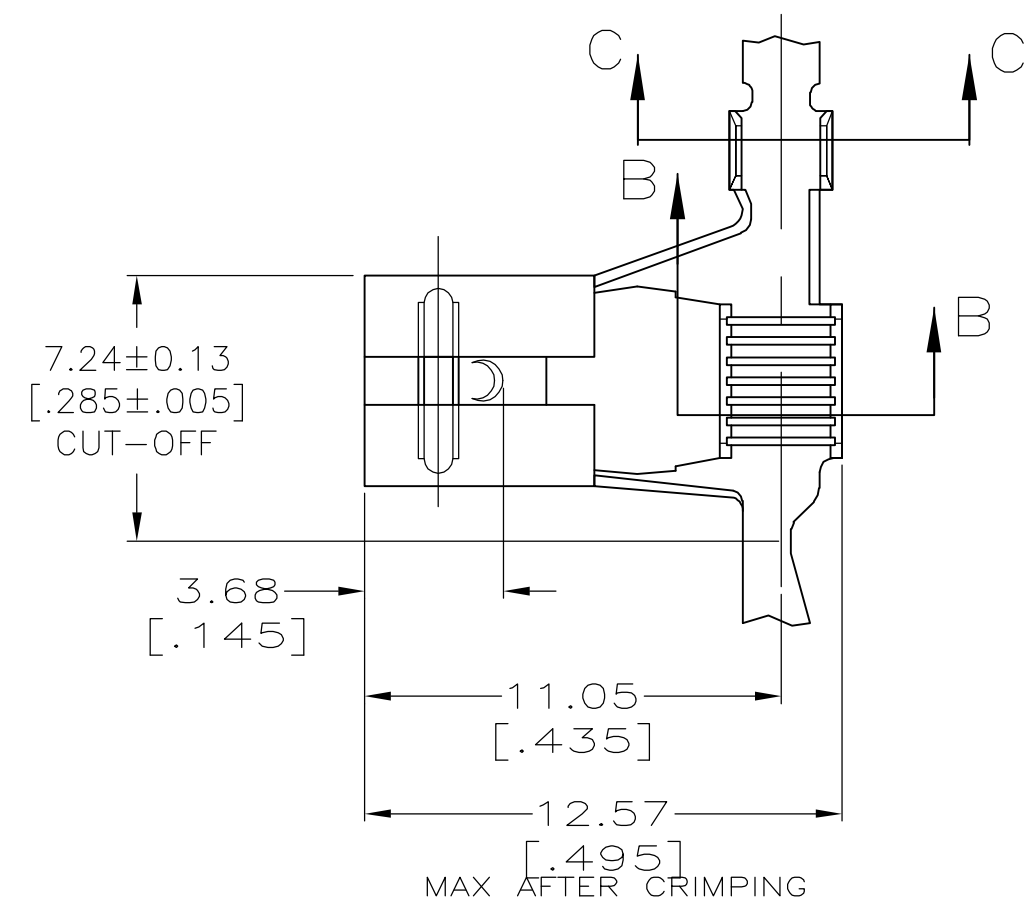


THIS DRAWING IS UNPUBLISHED. RELEASED FOR PUBLICATION
 © COPYRIGHT BY TYCO ELECTRONICS CORPORATION. ALL RIGHTS RESERVED.

| | | | | | | | |
|-----|------|-----------|-----|-----------------------|---------|-----|------|
| LOC | DIST | REVISIONS | | | | | |
| AF | 50 | P | LTR | DESCRIPTION | DATE | DWN | APVD |
| | | | H | REV PER ECR 05-010744 | 01DEC05 | JR | PD |



- 1 CONTINUOUS STRIP ON REELS.
- 2 ACCEPTS MAGNET WIRE RANGES 1200-2350 CMA.
- 3 MATING TAB THK TO BE 0.51±0.025 [.020±.001].
- △ 4 0.002032 [.000080] MIN TIN

63941-1
PART NO.

| | | | | | | | |
|--|--|------------------|------------|---------|--|------------------------------|------------|
| THIS DRAWING IS A CONTROLLED DOCUMENT. | | DWN | JR RUTH | 9/30/96 | | Tyco Electronics Corporation | |
| DIMENSIONS: MM | | CHK | MS FEHER | 9/30/96 | | Harrisburg, PA 17105 | |
| | | APVD | P DESANTIS | 9/30/96 | | NAME | |
| TOLERANCES UNLESS OTHERWISE SPECIFIED: | | PRODUCT SPEC | - | | RECEPTACLE, FASTON, FLAG, AMPLIVAR, 4.75 [.187] SERIES | | |
| 0 PLC ± - | | APPLICATION SPEC | - | | SIZE | CAGE CODE | DRAWING NO |
| 1 PLC ± - | | WEIGHT | - | | A3 | 00779 | C-63941 |
| 2 PLC ± 0.25 [.010] | | CUSTOMER DRAWING | | SCALE | 5:1 | SHEET | 1 OF 1 |
| 3 PLC ± - | | | | REV | H | | |
| 4 PLC ± - | | | | | | | |
| ANGLES ± - | | | | | | | |
| FINISH | | | | | | | |
| H04 BRASS | | | | | | | |
| △ 4 | | | | | | | |