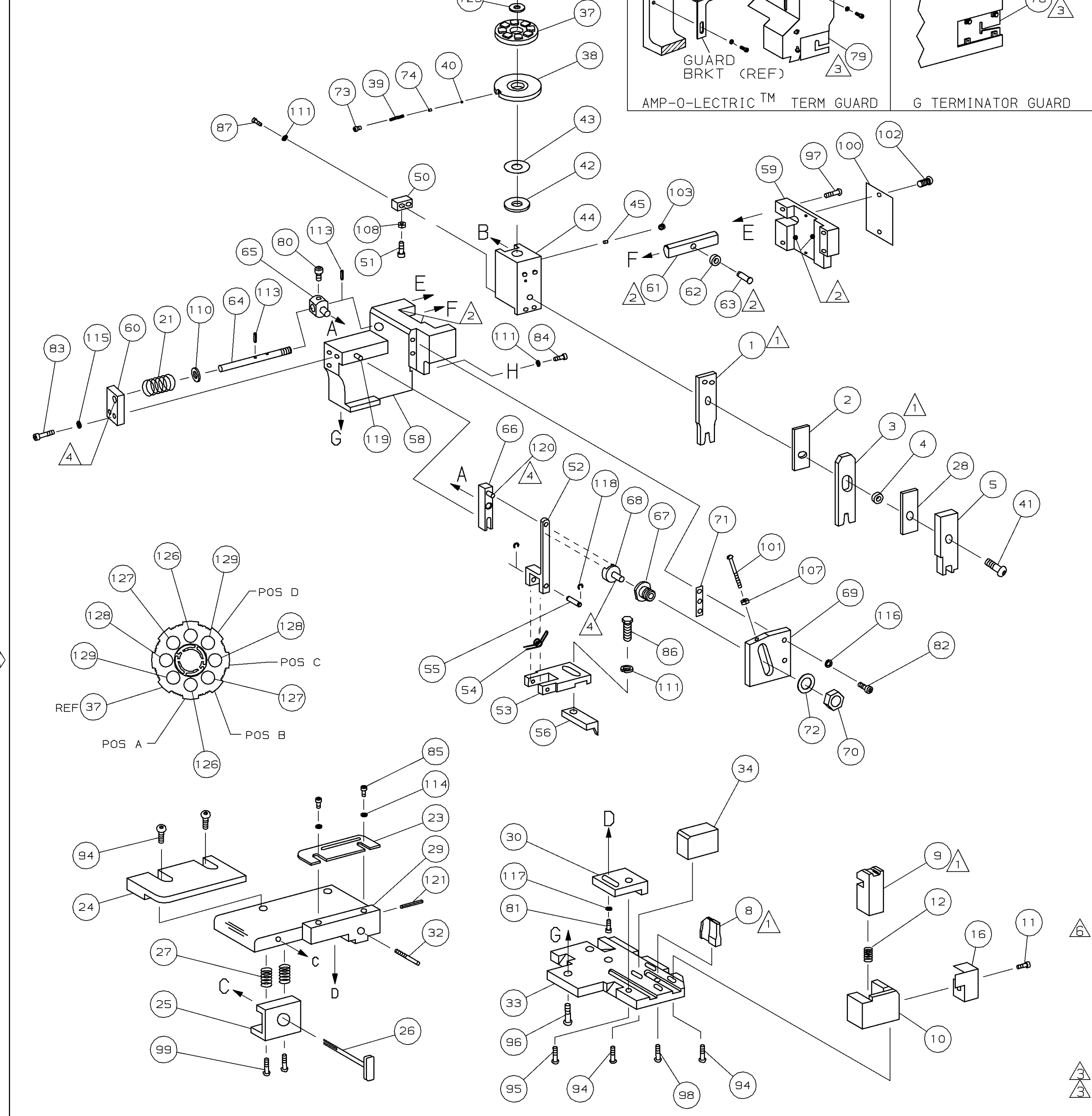
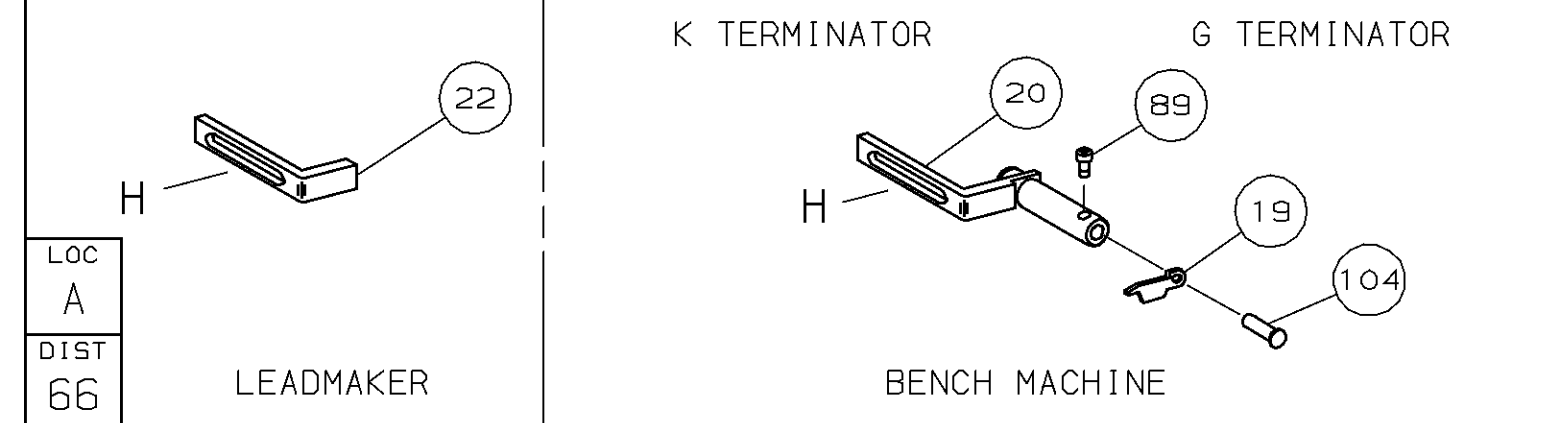
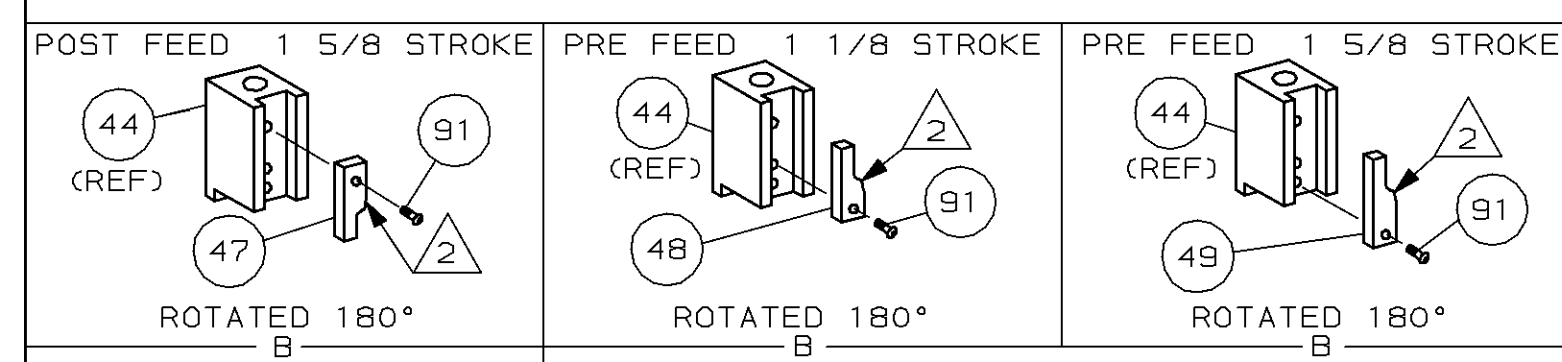


| PART NUMBER | REV | FIRST USED |
|-------------|-----|------------|
| 680306-1    | B   | 122500-1   |
| 680306-2    | B   | 565435-5   |
| 680306-3    | B   | 354500-1   |



| TERMINAL NAME: JR. POWER TIMER CONTACT |                             |   |  |             |        |
|--|-----------------------------|---|--|-------------|--------|
| 144431                                 |                             |   |  |             |        |
| CRIMPING DATA                          |                             |   |  |             |        |
| PAD LTR                                | CRIMP HEIGHT                | WIRE SIZE                                 |  |             |        |
| A                                      | .058 ± .002 [1.48 ± 0.05mm] | 1mm <sup>2</sup>                          |  |             |        |
| B                                      | .054 ± .002 [1.38 ± 0.05mm] | 0.35mm <sup>2</sup> + 0.35mm <sup>2</sup> |  |             |        |
| C                                      | .053 ± .002 [1.34 ± 0.05mm] | 0.60mm <sup>2</sup>                       |  |             |        |
| D                                      | .049 ± .002 [1.24 ± 0.05mm] | 0.35mm <sup>2</sup>                       |  |             |        |
| CRIMP                                  | SIZE                        | TYPE                                      | RANGE                                  |             |        |
| WIRE                                   | .070 [1.78mm]               | F   | 0.35mm <sup>2</sup> - 1mm <sup>2</sup> |             |        |
| INSUL                                  | .110 [2.79mm]               | F   | ∅2.15mm MAX                            |             |        |
| WIRE STRIP LENGTH                      | TERM APPL SPEC              | FEED                                      | APPL INSTRUCTION                       | SET UP GAGE | LAYOUT |
| -                                      | 114-15050                   | .551                                      | 408-8040                               | 458637-1    | L1767  |

| QTY               | REF | REF | REF | REF      | REF        | DESCRIPTION                     | ITEM NO |
|-------------------|-----|-----|-----|----------|------------|---------------------------------|---------|
| 2                 | 2   | 2   | -   | C        | 2-354779-2 | PIN, WIRE DISC (.3100)D         | 129     |
| 2                 | 2   | 2   | -   | C        | 1-354779-3 | PIN, WIRE DISC (.3055)C         | 128     |
| 2                 | 2   | 2   | -   | C        | 1-354779-1 | PIN, WIRE DISC (.3045)B         | 127     |
| 2                 | 2   | 2   | -   | C        | 354779-4   | PIN, WIRE DISC (.3010)A         | 126     |
| 1                 | 1   | 1   | -   | A        | 986950-1   | WASHER, FLAT PRECISION          | 125     |
| 1                 | 1   | 1   | -   | A        | 217238-1   | GENERAL INSTRUCTION PACKAGE     | 124     |
| 1                 | 1   | 1   | -   | -        | 4088040    | SF APPL INST 408-8040           | 123     |
|                   |     |     |     |          |            |                                 | 122     |
| 1                 | 1   | 1   | -   | A        | 4-21028-0  | PIN,SLT SPR(∅.093x.75)ST GDE PL | 121     |
| REF               | REF | REF | -   | A        | 1-21030-1  | PIN,DOWL(∅.187x.50)LEVER        | 120     |
| REF               | REF | REF | -   | A        | 1-21030-6  | PIN,DOWL(∅.187x.25)HOUSING      | 119     |
| REF               | REF | REF | -   | A        | 21045-3    | RING,RET "C"(∅.187)FD FING PIN  | 118     |
| 1                 | 1   | 1   | -   | A        | 21024-5    | WASHER, LOCK(∅10)ADJ BLOCK      | 117     |
| REF               | REF | REF | -   | A        | 21024-5    | WASHER,LOCK(∅10)ADJ PLATE       | 116     |
| REF               | REF | REF | -   | A        | 21024-5    | WASHER,LOCK(∅10)FEED GDE ROD    | 115     |
| 2                 | 2   | 2   | -   | A        | 21024-2    | WASHER,LOCK(∅4)FRONT STP GUIDE  | 114     |
| REF               | REF | REF | -   | A        | 5-21028-1  | PIN,SLT SPR(∅.125x.50)ADJ ROD   | 113     |
|                   |     |     |     |          |            |                                 | 112     |
| 4                 | 4   | 4   | -   | A        | 21024-4    | WASHER,LOCK(∅8)STRIPPER         | 111     |
| REF               | REF | REF | -   | A        | 21899-4    | WASHER,FLAT(∅5/16)SCREW ADJ     | 110     |
|                   |     |     |     |          |            |                                 | 109     |
| 1                 | 1   | 1   | -   | A        | 21018-5    | NUT, HEX(NO. 6)HOLDDOWN         | 108     |
| REF               | REF | REF | -   | A        | 21018-5    | NUT, HEX(6-32)FEED ADJ          | 107     |
|                   |     |     |     |          |            |                                 | 106     |
|                   |     |     |     |          |            |                                 | 105     |
| 1                 | 1   | -   | -   | A        | 992031-1   | PIN, CLEVIS                     | 104     |
| 1                 | 1   | 1   | -   | A        | 21009-2    | SCR,SKT SET(1/4-20x.25 LW)RAM   | 103     |
| 2                 | 2   | 2   | -   | A        | 21017-2    | SCR,DRIVE(∅2x.19)ID PLATE       | 102     |
| REF               | REF | REF | -   | A        | 6-23715-5  | SCR,PAN HD(6-32x1.50)FEED ADJ   | 101     |
| 1                 | 1   | 1   | -   | B        | 461264-1   | PLATE, IDENTIFICATION           | 100     |
| 2                 | 2   | 2   | -   | A        | 3-21002-0  | SCR,BHC(10-32x.88)DRAG          | 99      |
| 1                 | 1   | 1   | -   | A        | 22733-8    | SCR,BHC(8-32x.38 LW)ANVIL       | 98      |
| REF               | REF | REF | -   | A        | 2-21002-9  | SCR,BHC(10-32x.75)CAP           | 97      |
| REF               | REF | REF | -   | A        | 2-22733-8  | SCR,BHC(1/4-20x.62)HOUSING      | 96      |
| REF               | REF | REF | -   | A        | 2-21002-7  | SCR,BHC(10-32x.50)SG ADJ BLOCK  | 95      |
| 6                 | 6   | 6   | -   | A        | 2-21002-2  | SCR,BHC(8-32x.50)TERM H DWN     | 94      |
|                   |     |     |     |          |            |                                 | 93      |
|                   |     |     |     |          |            |                                 | 92      |
| 1                 | 1   | 1   | -   | A        | 1-21002-7  | SCR,BHC(6-32x.38)CAM            | 91      |
|                   |     |     |     |          |            |                                 | 90      |
| 1                 | 1   | -   | -   | A        | 7-21000-9  | SCR,SHC(4-40x.19)STRIPPER       | 89      |
|                   |     |     |     |          |            |                                 | 88      |
| 2                 | 2   | 2   | -   | A        | 2-21000-7  | SCR,SHC(8-32x.48)DEP-HOLD       | 87      |
| 1                 | 1   | 1   | -   | A        | 2-22603-0  | SCR,HEX HD(8-32x.31)FEED FINGER | 86      |
| 2                 | 2   | 2   | -   | A        | 1-21000-3  | SCR,SHC(4-40x.25)F ST GUIDE     | 85      |
| 1                 | 1   | 1   | -   | A        | 2-21000-7  | SCR,SHC(8-32x.50)STRIPPER       | 84      |
| REF               | REF | REF | -   | A        | 3-21000-7  | SCR,SHC(10-32x.75)FEED ROD GD   | 83      |
| REF               | REF | REF | -   | A        | 3-21000-6  | SCR,SHC(10-32x.62)FD ADJ BLK    | 82      |
| 1                 | 1   | 1   | -   | A        | 3-21000-4  | SCR,SHC(10-32x.38)SG ADJ BL     | 81      |
| REF               | REF | REF | -   | A        | 3-21000-4  | SCR,SHC(10-32x.38)PIVOT BLK     | 80      |
| -                 | REF | -   | -   | B        | 455749-1   | GUARD, WINDOW                   | 79      |
| REF               | -   | -   | -   | B        | 679532-1   | INSERT, GUARD                   | 78      |
|                   |     |     |     |          |            |                                 | 77      |
|                   |     |     |     |          |            |                                 | 76      |
|                   |     |     |     |          |            |                                 | 75      |
| 1                 | 1   | 1   | -   | A        | 690603-1   | SPRING, ASSIST                  | 74      |
| 1                 | 1   | 1   | -   | A        | 23030-1    | SCR,SHC(6-32x.25 SL)INS DISC    | 73      |
| REF               | REF | REF | -   | A        | 458109-1   | WASHER, SPECIAL                 | 72      |
| REF               | REF | REF | -   | A        | 690517-1   | SPACER                          | 71      |
| -3                | -2  | -1  | U/M | DWG SIZE | PART NO    | DESCRIPTION                     | ITEM NO |
| QTY REQD PER ASSY |     |     |     |          |            |                                 |         |



- 1 RECOMMENDED SPARE PARTS.
- 2 GREASE LIGHTLY.
- 3 GUARD MUST BE IN PLACE WHEN OPERATING APPLICATOR IN A BENCH MACHINE.
- 4 LUBRICATE DAILY USING NO. 20 MACHINE OIL.
- 5. ITEMS WITH QTY OF REF SPECIFIED (EXCEPT ITEMS 78 AND 79) ARE USED ON ITEM 46.
- 6 CUT TO LENGTH AT ASSY

| LEADMAKER         |     |     |     | MECH POST FEED |            |                             |         |
|-------------------|-----|-----|-----|----------------|------------|-----------------------------|---------|
| BENCH MODEL K     |     |     |     | MECH PRE FEED  |            |                             |         |
| BENCH MODEL G     |     |     |     | MECH PRE FEED  |            |                             |         |
| REF               | REF | REF | -   | B              | 22594-8    | NUT, HEX(1/2-20)            | 70      |
| REF               | REF | REF | -   | B              | 240628-1   | PLATE, ADJUSTMENT           | 69      |
| REF               | REF | REF | -   | B              | 240626-1   | SHAFT, PIVOT                | 68      |
| REF               | REF | REF | -   | B              | 240633-1   | BUSHING                     | 67      |
| REF               | REF | REF | -   | A              | 455680-1   | LEVER, INTERMEDIATE         | 66      |
| REF               | REF | REF | -   | B              | 240629-1   | BLOCK, PIVOT                | 65      |
| REF               | REF | REF | -   | A              | 240632-2   | SCREW, ADJ FEED ROD         | 64      |
| REF               | REF | REF | -   | B              | 240659-3   | PIN, CAM ROLLER             | 63      |
| REF               | REF | REF | -   | B              | 240658-1   | ROLLER, CAM                 | 62      |
| REF               | REF | REF | -   | B              | 454398-2   | ROD, FEED                   | 61      |
| REF               | REF | REF | -   | A              | 454178-1   | GUIDE, FEED ROD             | 60      |
| REF               | REF | REF | -   | C              | 454220-1   | CAP, RAM                    | 59      |
| REF               | REF | REF | -   | D              | 454485-1   | HOUSING                     | 58      |
|                   |     |     |     |                |            |                             | 57      |
|                   |     |     |     |                |            |                             | 56      |
| 1                 | 1   | 1   | -   | B              | 690542-2   | PAWL, FEED                  | 55      |
| REF               | REF | REF | -   | B              | 240624-1   | PIN, FEED FINGER            | 55      |
| REF               | REF | REF | -   | B              | 691499-1   | SPRING, FEED FINGER         | 54      |
| REF               | REF | REF | -   | B              | 690541-1   | HOLDER, FEED FINGER         | 53      |
| REF               | REF | REF | -   | A              | 455679-2   | LEVER, TERMINAL FEED ARM    | 52      |
| 1                 | 1   | 1   | -   | A              | 811242-2   | BUMPER, HOLDDOWN            | 51      |
| 1                 | 1   | 1   | -   | A              | 690753-1   | SPACER, TONKER              | 50      |
| 1                 | -   | -   | -   | B              | 690602-6   | CAM, PRE-FEED 1 5/8 ST      | 49      |
| -                 | 1   | -   | -   | B              | 690602-5   | CAM, PRE-FEED 1 1/8 ST      | 48      |
| -                 | -   | -   | -   | B              | 690501-4   | CAM, POST-FEED 1 5/8 ST     | 47      |
| 1                 | 1   | 1   | -   | B              | 459456-2   | APPLICATOR, BASIC (SUBASSY) | 46      |
| 1                 | 1   | 1   | -   | A              | 690191-1   | PLUG, NYLON                 | 45      |
| 1                 | 1   | 1   | -   | C              | 455673-1   | RAM                         | 44      |
| 1                 | 1   | 1   | -   | A              | 690125-1   | WASHER, LAMINATED           | 43      |
| 1                 | 1   | 1   | -   | A              | 690124-1   | WASHER, RAM                 | 42      |
| 1                 | 1   | 1   | -   | A              | 7-21002-9  | BOLT, CRIMPER(5/16x1.00)    | 41      |
| 1                 | 1   | 1   | -   | A              | 23241-6    | BALL, STEEL                 | 40      |
| 1                 | 1   | 1   | -   | A              | 690170-1   | SPRING, COMPRESSION         | 39      |
| 1                 | 1   | 1   | -   | C              | 690142-1   | DISC, INSULATION            | 38      |
| 1                 | 1   | 1   | -   | D              | 354777-1   | WIRE DISC, PLASTIC          | 37      |
| 1                 | 1   | 1   | -   | A              | 22480-5    | WASHER, SPRING              | 36      |
| 1                 | 1   | 1   | -   | B              | 690212-1   | POST, RAM                   | 35      |
| 1                 | 1   | 1   | -   | B              | 2-690786-3 | SUPPORT, TERMINAL           | 34      |
| REF               | REF | REF | -   | D              | 455675-1   | PLATE, BASE                 | 33      |
| 1                 | 1   | 1   | -   | A              | 690432-3   | SCREW, ADJUSTMENT           | 32      |
|                   |     |     |     |                |            |                             | 31      |
| REF               | REF | REF | -   | B              | 455689-1   | BLOCK, STRIP GUIDE ADJ      | 30      |
| 1                 | 1   | 1   | -   | C              | 455671-1   | PLATE, STRIP GUIDE          | 29      |
| 1                 | 1   | 1   | -   | C              | 1-455888-9 | SPACER, FRONT SHEAR DEP     | 28      |
| 2                 | 2   | 2   | -   | A              | 1-22284-0  | SPRING, DRAG                | 27      |
| 1                 | 1   | 1   | -   | B              | 690546-1   | LEVER, DRAG RELEASE         | 26      |
| 1                 | 1   | 1   | -   | B              | 240792-1   | DRAG, TERMINAL              | 25      |
| 1                 | 1   | 1   | -   | D              | 8-690504-9 | GUIDE, STRIP (REAR)         | 24      |
| 1                 | 1   | 1   | -   | A              | 690438-1   | GUIDE, STRIP (FRONT)        | 23      |
| -                 | -   | 1   | -   | B              | 690472-2   | STRIPPER                    | 22      |
| REF               | REF | REF | -   | A              | 4-22284-9  | SPRING, FEED RETURN         | 21      |
| 1                 | 1   | -   | -   | A              | 679218-1   | STRIPPER WIRE STOP ASSY     | 20      |
| 1                 | 1   | -   | -   | B              | 458949-1   | STRIPPER                    | 19      |
|                   |     |     |     |                |            |                             | 18      |
|                   |     |     |     |                |            |                             | 17      |
| 1                 | 1   | 1   | -   | B              | 318563-1   | GUARD, CHIP, FRONT          | 16      |
|                   |     |     |     |                |            |                             | 15      |
|                   |     |     |     |                |            |                             | 14      |
|                   |     |     |     |                |            |                             | 13      |
| 1                 | 1   | 1   | -   | A              | 5-22280-0  | SPRING, SHEAR               | 12      |
| 1                 | 1   | 1   | -   | B              | 690461-1   | STOP, SHEAR                 | 11      |
| 1                 | 1   | 1   | -   | C              | 690459-1   | HOLDER, SHEAR (FRONT)       | 10      |
| 1                 | 1   | 1   | -   | C              | 454276-1   | SHEAR, FLOAT (FRONT)        | 9       |
| 1                 | 1   | 1   | -   | C              | 7-189717-9 | ANVIL                       | 8       |
|                   |     |     |     |                |            |                             | 7       |
|                   |     |     |     |                |            |                             | 6       |
| 1                 | 1   | 1   | -   | C              | 1-455889-4 | DEPRESSOR, SHEAR (FRONT)    | 5       |
| 1                 | 1   | 1   | -   | B              | 238011-6   | SPACER, BLOCK CRIMPER       | 4       |
| 1                 | 1   | 1   | -   | C              | 4-683453-3 | CRIMPER, INSULATION         | 3       |
| 1                 | 1   | 1   | -   | C              | 455888-5   | SPACER, CRIMPER             | 2       |
| 1                 | 1   | 1   | -   | C              | 3-456404-1 | CRIMPER, WIRE               | 1       |
| -3                | -2  | -1  | U/M | DWG SIZE       | PART NO    | DESCRIPTION                 | ITEM NO |
| QTY REQD PER ASSY |     |     |     |                |            |                             |         |

| DIMENSIONS IN INCHES. DO NOT SCALE PRINT. TOLERANCES UNLESS OTHERWISE SPECIFIED. |                          |                       |                       |
|--|--------------------------|-----------------------|-----------------------|
| REVISION OF EACH ASSY NO (WHEN BLANK, USE DWG REVISION)                          |                          |                       |                       |
| DR   | M. OBRINE                | 4-26-96               | APP 4-26-96 T. ELBIN  |
| CHK  | 4-26-96 C. ERISMAN       | REL 7/16/96 B. MORGAN |                       |
| NAME   | SIDE FEED HDM APPLICATOR |                       | MACHINE REF MINI APPL |
| SCALE  | DWG NO                   | 680306                | SHEET REV 1 OF 1 B    |