
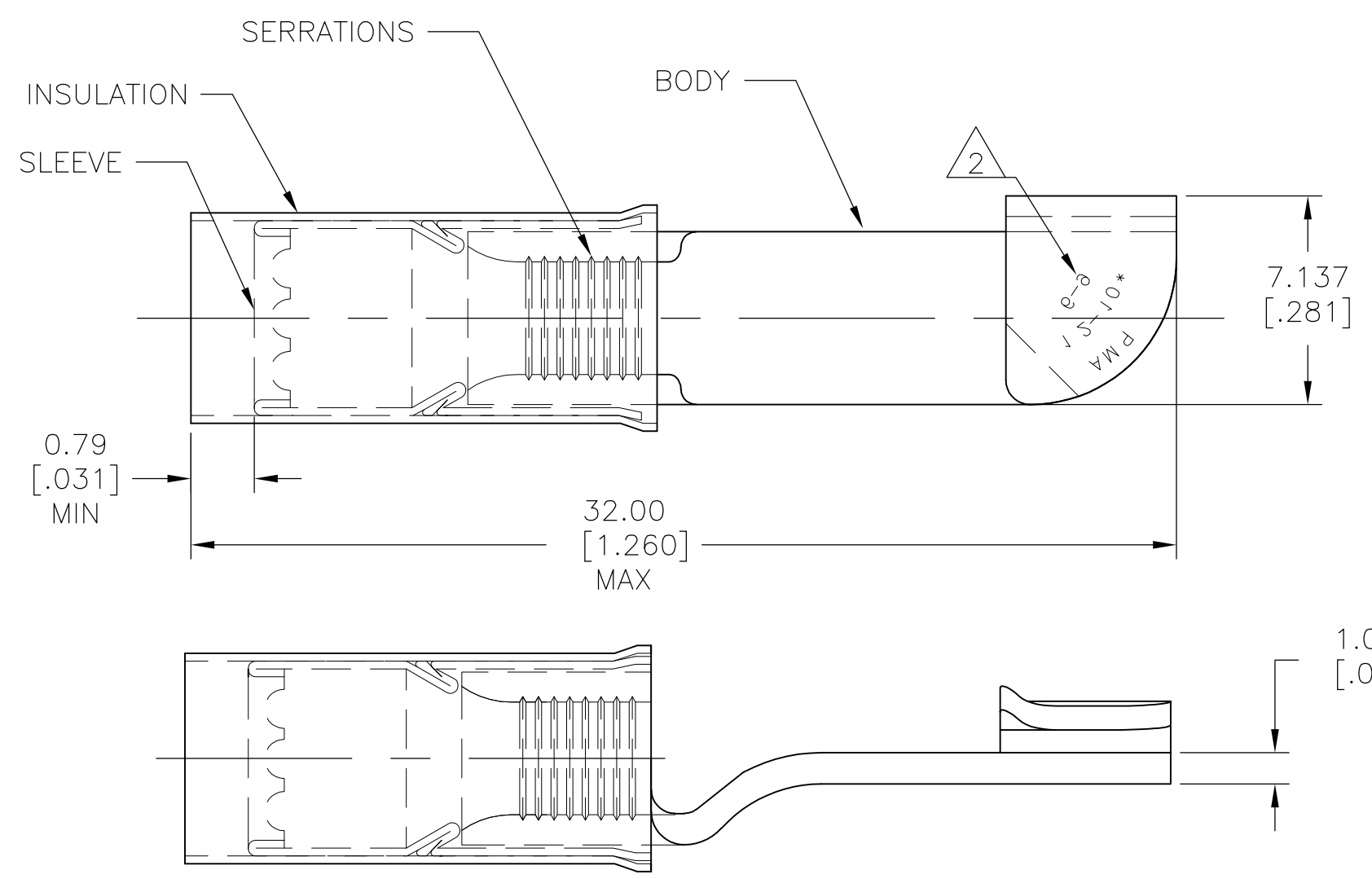


THIS DRAWING IS UNPUBLISHED. RELEASED FOR PUBLICATION
 © COPYRIGHT - By - ALL RIGHTS RESERVED.

| LOC | DIST | REVISIONS | | | |
|-----|------|-------------|-------------------------------|---------|-------|
| P | LTR | DESCRIPTION | DATE | DWN | APVD |
| — | — | E1 | NEW DRAWING PER ECO-11-019045 | 02APR12 | KH DR |

| | |
|--------------------------------|---|
| AMP WIRE RANGE |  Listed FILE E13288 |
| 12-10 AWG SOLID OR STRANDED | 12-10 AWG SOLID OR STRANDED |



- 1 FOR 3.81[.150] TO 6.35[.250] WIRE INSULATION DIA
- 2 STAMP AMP 12-10* 6-9 APPROX AS SHOWN
- 3 MATERIAL:
BODY&SLEEVE: COPPER PER ASTM B152
INSULATION: NYLON
- 4 FINISH:
BODY&SLEEVE: TIN PLATE PER ASTM B152
INSULATION: COLOR-YELLOW.

| | | |
|-----|---------------|-----------|
| 50 | LOOSE PC, BOX | 8-35762-2 |
| 500 | LOOSE PC | 35762 |
| QTY | PACKAGE TYPE | PART NO |

AMP INCORPORATED
CUSTOMER SERVICE SYSTEMS

FOR ADDITIONAL PRODUCT INFORMATION OR COPIES OF DRAWINGS AND TECHNICAL DOCUMENTS
 PRODUCT INFORMATION CENTER
 1-800-522-6752

FOR APPLICATION TOOLING INFORMATION
 TOOLING ASSISTANCE CENTER
 1-800-722-1111

FOR ORDER ENTRY
 1-800-526-5142

RECOMMENDED OPERATING TEMPERATURE:
 105°C [221°F]

VOLTAGE RATING:
 300V MAX


WIRE CROSS SECTIONAL AREA RANGE:
 2.62-6.64mm² [5,180-13,100]
 SOLID OR STRANDED


THIS DRAWING IS A CONTROLLED DOCUMENT.


DIMENSIONS:
mm [INCHES]

TOLERANCES UNLESS OTHERWISE SPECIFIED:

| | |
|--------|--------------|
| 0 PLC | ± - |
| 1 PLC | ± - |
| 2 PLC | ± 0.20[.008] |
| 3 PLC | ± - |
| 4 PLC | ± - |
| ANGLES | ± 5° |

MATERIAL 

FINISH 

| | | | | |
|---------------------------------|---|--|-----------|------------|
| DWN KIRAN HOLAL 02APR12 |  TE Connectivity | NAME | | |
| CHK ROHDE DANIEL 02APR12 | | WIRE TERMINAL P.I.D.G-KNIFE-DISCONNECT WIRE SIZE:12-10 | | |
| APVD ROHDE DANIEL 02APR12 | | SIZE | CAGE CODE | DRAWING NO |
| PRODUCT SPEC — | | A3 | 00779 | C-35762 |
| APPLICATION SPEC — | RESTRICTED TO | — | | |
| WEIGHT — | CUSTOMER DRAWING | SCALE | SHEET | |
| | | 5:1 | 1 OF 1 | |
| | | | REV E1 | |