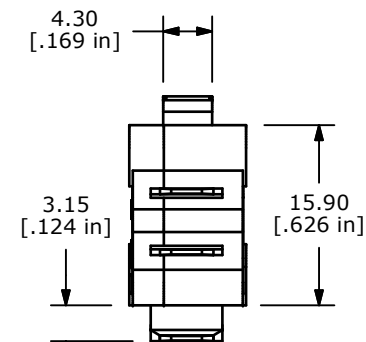
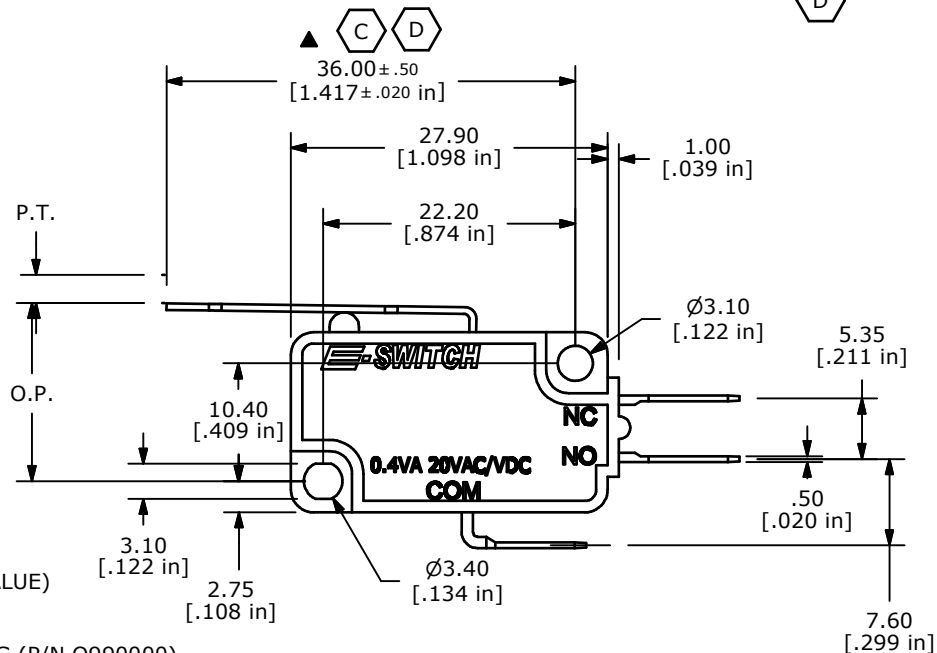
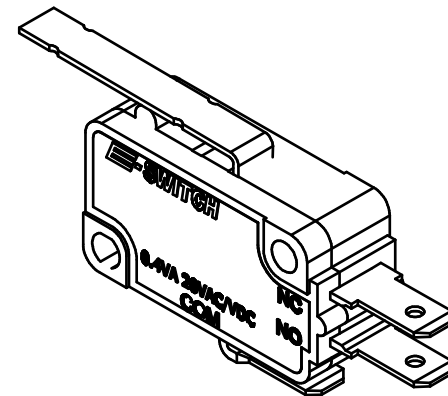
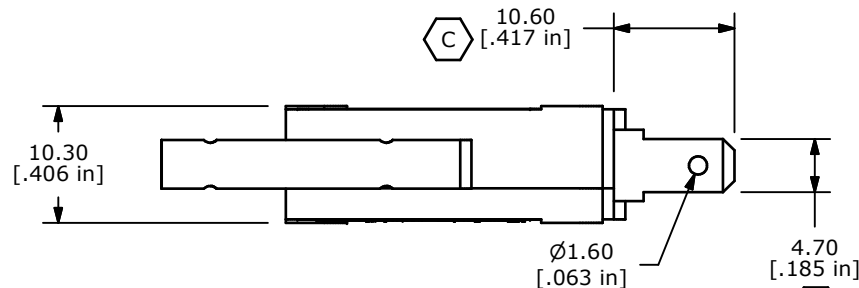
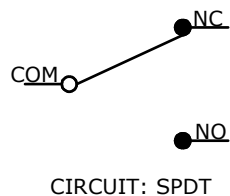


▲ O.P. (MM)	P.T. (MM)
15.5±0.8	4.1 MAX.

O.P. = OPERATING POINT
P.T. = PRE-TRAVEL



- NOTES:
1. ALL DIMENSIONS IN MM [INCH]
 2. GENERAL TOLERANCE: X.X±0.4
X.XX±0.25
 3. RATING: 0.4VA @20VAC OR DC
 - ▲ 4. OPERATING FORCE: 075± 25 GRAMS
 5. OPERATING TEMP: -25°C TO 85°C
 6. ELECTRICAL LIFE: 50,000 CYCLES MIN.
 7. MECHANICAL LIFE: 1,000,000 CYCLES TYP. (C)
 8. INSULATION RESISTANCE: 100 MEGA-OHMS MIN.
 9. DIELECTRIC STRENGTH: 1500VAC 1 MINUTE (INITIAL VALUE)
 10. CONTACT RESISTANCE: 100 MILLI -OHMS MAX.
 11. ▲ DENOTES CRITICAL PARAMETER.
 - ▲ 12. CONTACTS: 10 MICRO INCHES MINIMUM GOLD PLATING (P/N Q990000)
 13. 2002/95/EC (ROHS) COMPLIANT (C)

D	20754	36.00 WAS 36.6	9/14/12	EBP
C	15620	CHANGED NOTED	12/20/05	PH
B	15115	REMOVE UL, CUL, AND VDE	7/27/05	BK
A	15076	RELEASED FOR PRODUCTION	7/8/05	JB
REV	PCR NO	DESCRIPTION	DATE	BY

THE INFORMATION CONTAINED IN THIS DOCUMENT IS PROPRIETARY TO E-SWITCH AND IS NOT TO BE COPIED OR TRANSFERRED

E-SWITCH®

TITLE LS085R102F075C1A

SCALE	DATE	DR	DWG	REV
1.5:1	7/8/2005	JB	Q950015	D