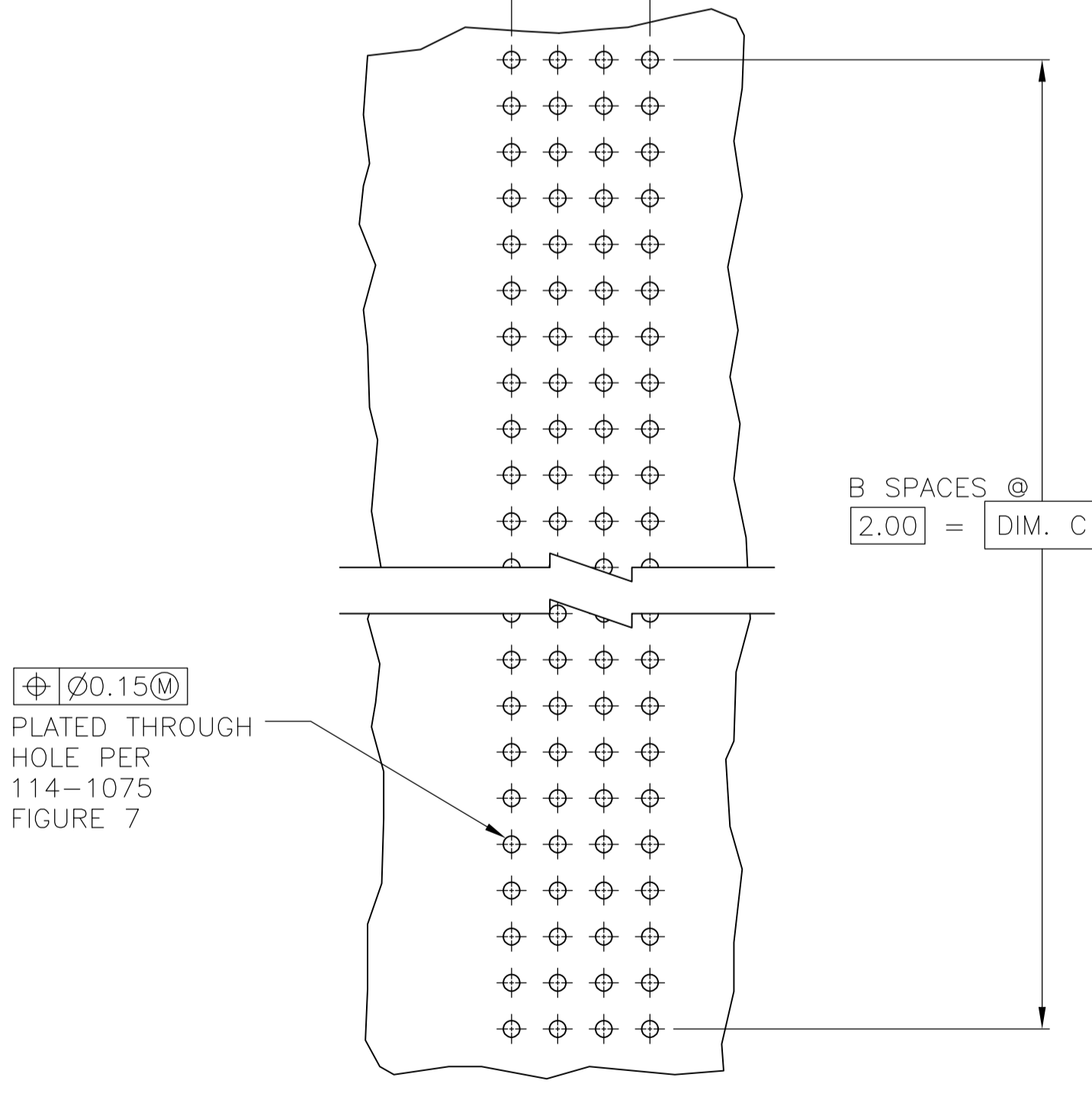


3 SPACES @ 2.00 = 6.00

3 SPACES @ 2.00 = 6.00

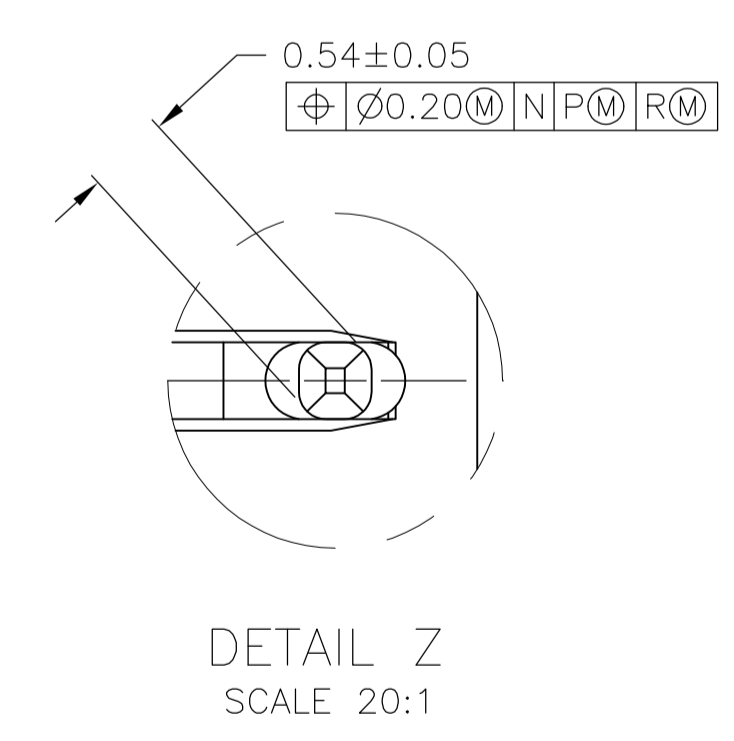


RECOMMENDED CIRCUIT PATTERN
PER IPC-D300 TYPE II, CLASS C
(COMPONENT SIDE)

- 1 HOUSING MATERIAL: THERMOPLASTIC UL94 V-0, RoHS COMPLIANT.
- 2 CONTACT MATERIAL: HIGH CONDUCTIVITY COPPER ALLOY.
- 3 CONTACT FINISH:(D) NOBLE METAL PLATED IN CONTACT AREA OVER NICKEL UNDERPLATE ENTIRE CONTACT, AND MATTE TIN PLATE IN PIN LEADS SURFACE OVER NICKEL UNDERPLATE.
LUBRICATION (MIN MATING SURFACES):
SURFACE CONDITIONER AFTER PLATING.
- 4 PART MARKING, LOCATED APPROXIMATELY AS SHOWN.

ROW	D	AA	AA
	C	AA	AA
	B	AA	AA
	A	AA	AA
		1	2
POSITION			

P/N 5223172-1



CODE	MATING POST LENGTH D	LEAD LENGTH (REF)
AA	6.5	4.25

6.00	1	4.25	10.00	5	11.83	3	8	5223172-1
G	F	E	C	B	A	FINISH	NO OF POSN	PART NUMBER

THIS DRAWING IS A CONTROLLED DOCUMENT.

DIMENSIONS: mm

TOLERANCES UNLESS OTHERWISE SPECIFIED:

0. PLC	± -
1. PLC	± -
2. PLC	± 0.13[.005]
3. PLC	± -
4. PLC	± -
ANGLES	± -

MATERIAL: 1 2 3

FINISH: 1 2 3

THIS DRAWING IS A CONTROLLED DOCUMENT. DWG: KIRAN HOLAL 23DEC11
CHK: SHARPE ALEXANDER 23DEC11
APVD: SHARPE ALEXANDER 23DEC11 NAME: SHARPE ALEXANDER

PRODUCT SPEC: 108-1441
APPLICATION SPEC: 114-1075

SIZE: A1
CAGE CODE: 00779
DRAWING NO: 5223172
RESTRICTED TO: -

CUSTOMER DRAWING SCALE: 4:1 SHEET: 1 OF 1 REV: B