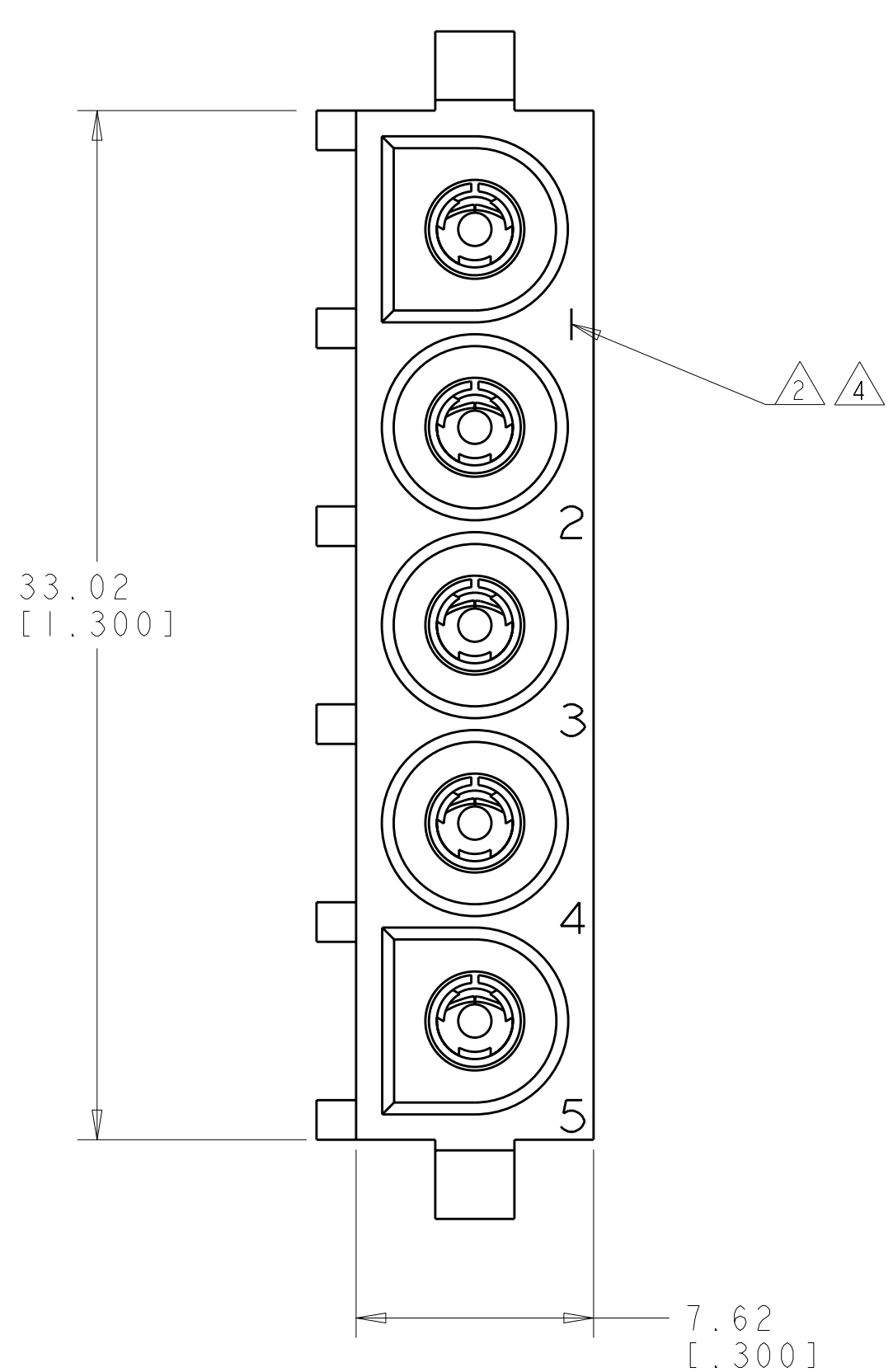
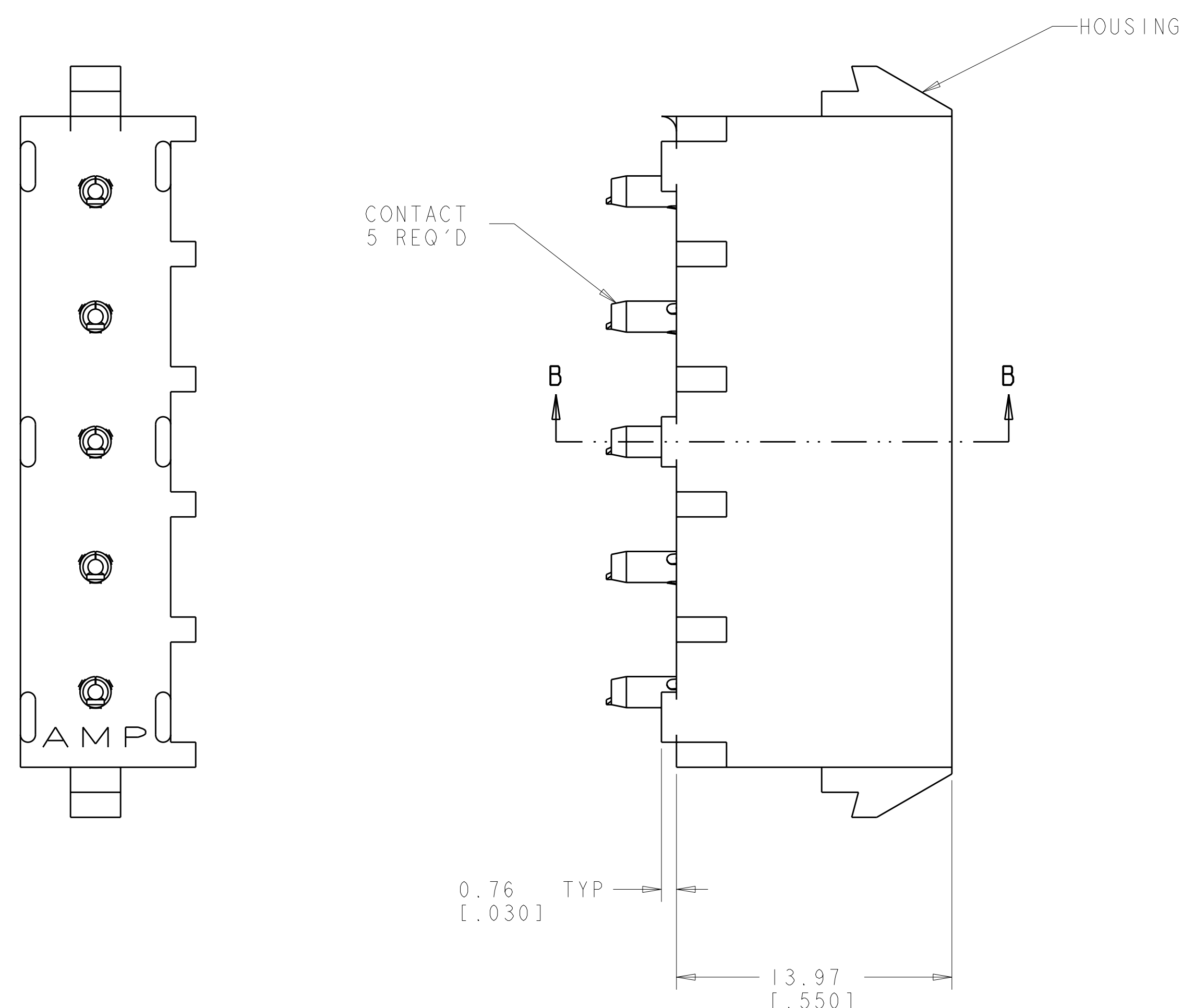
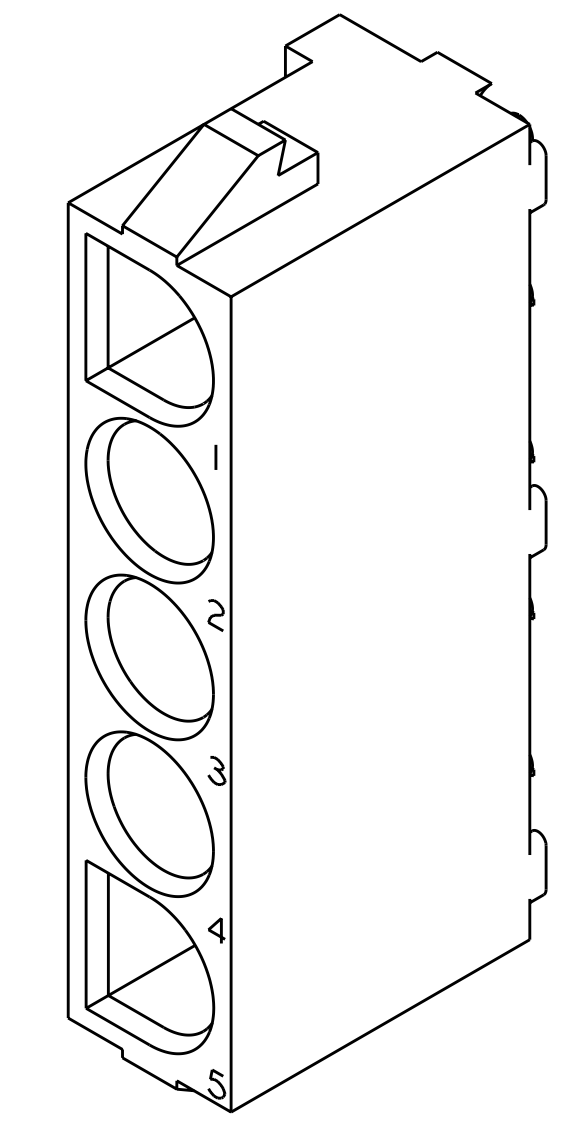


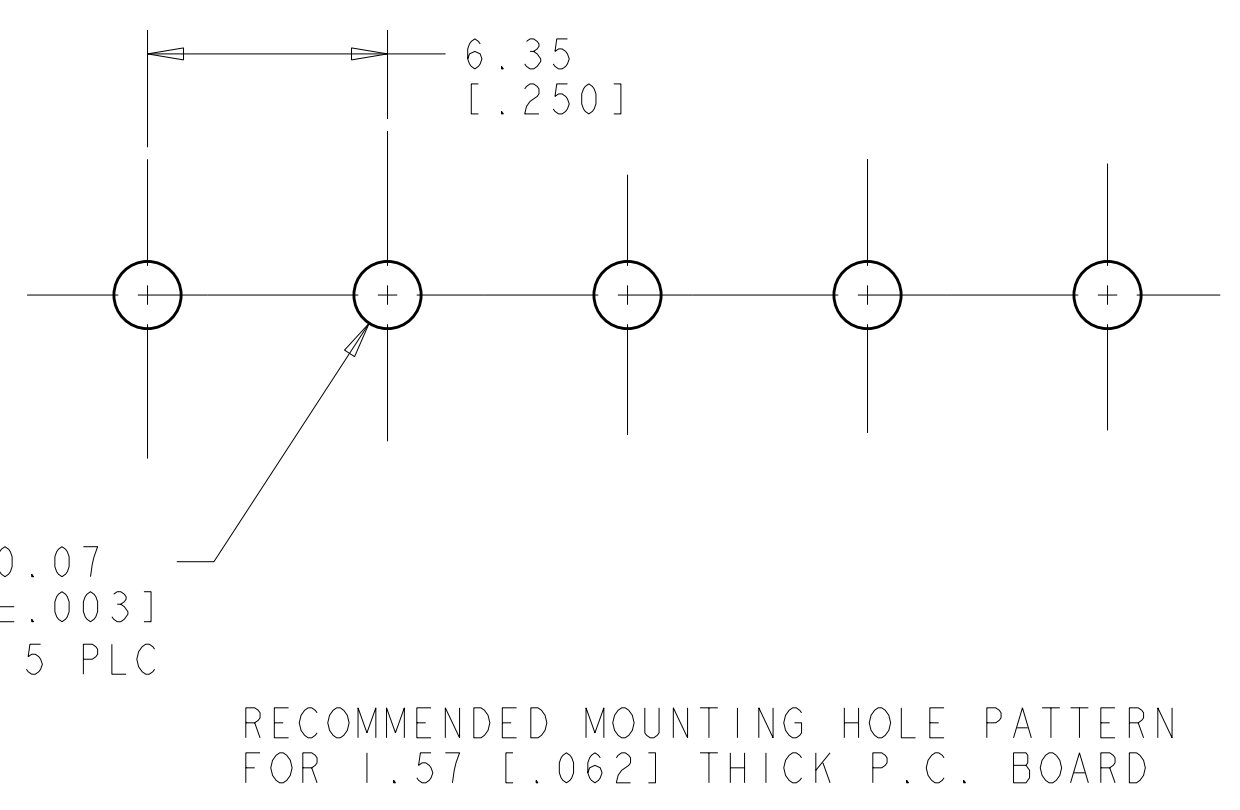
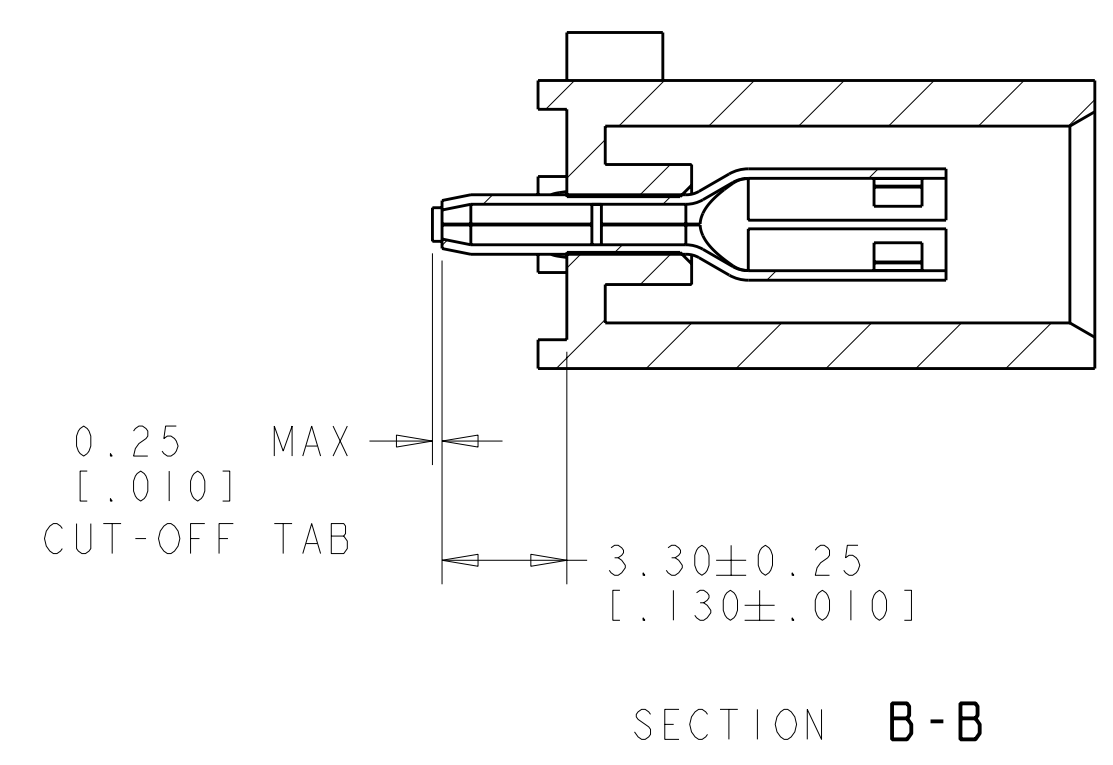
LOC	DIST	REVISIONS			
		REV	DATE	BY	APPD
CM	00	A	RELEASED	23NOV11	JR TM



- 1. PARTS COMPLY TO AMP SOLDERABILITY SPECIFICATION 109-11-3.
- 2. CIRCUIT IDENTIFICATION CHARACTERS ARE ADJACENT TO THE INDICATED CAVITIES, BUT LOCATION AND ORIENTATION MAY DIFFER FROM PRINT.
- 3. DIMENSIONS IN BRACKETS ARE IN INCHES.
- 4. IDENTIFICATION WILL APPEAR AT CIRCUIT NO. 1, OTHERS OPTIONAL.



SCALE 4:1



PHOSPOR BRONZE, PRE-TIN	NYLON, UL94V-2, NATURAL	2029361-1
SOCKET CONTACT MATL AND FINISH	HOUSING MATERIAL AND COLOR	PART NUMBER

DIMENSIONS: mm [INCHES] TOLERANCES UNLESS OTHERWISE SPECIFIED: 9 PLC ± 1 PLC ±0.20 [1.008] 5 PLC ± 4 PLC ± ANGLES ±40° 30'		DWN R. WHITAKER 07MAY04 CHK S. RIDGILL 07MAY04 APVD S. RIDGILL 07MAY04		Tyco Electronics Corporation Harrisburg, PA 17105-3608	
MATERIAL: SEE TABLE FINISH: SEE TABLE		NAME: SOCKET HEADER ASSEMBLY, 5 CIRCUIT, NO DRAIN HOLES, UNIVERSAL MATE-N-LOK™ PRODUCT SPEC: APPLICATION SPEC: WEIGHT: - CUSTOMER DRAWING		SIZE: A1 CAGE CODE: 00779 DRAWING NO: C=2029361 RESTRICTED TO: - SCALE: 5:1 SHEET 1 OF 1 REV A	